

Low Profile Sconce Box

Made in USA 



Perfect for shallow wall cavities or obstructions behind the wall



Never mind obstructions behind the wall.

Install the fixture where YOU want it, with Arlington's low profile sconce box.

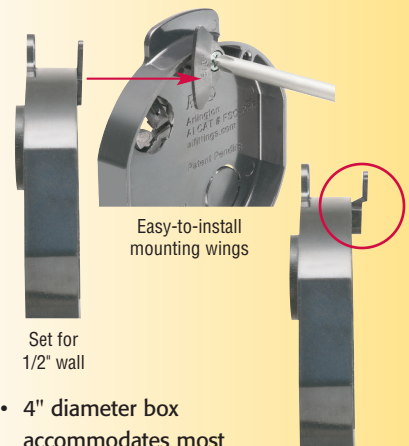
NEW!

FSC405R
Low profile Sconce Box

Arlington's **Low Profile Sconce Box** offers the time-saving solution to retrofit installations that have shallow wall cavities - or obstructions running behind the wallboard.


This 4" diameter non-metallic box installs in an existing 1/2" or 5/8" wall with a 4" hole saw.

- Includes NM cable connector and mounting wings for 1/2" or 5/8" drywall and installation screws for the mounting wings



Set for 1/2" wall

- 4" diameter box accommodates most sconce light canopies, completely hiding the box

- CULUS Listed 

Easy installation in Existing Walls...



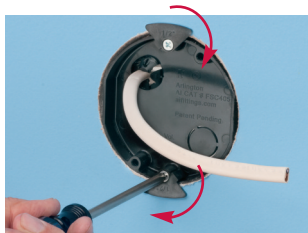
Determine sconce light location. Cut opening with 4" hole saw.



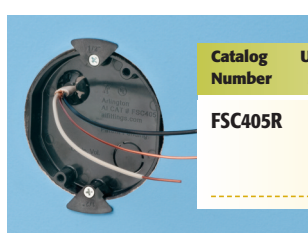
Pipe obstruction behind wall prevents the installation of a typical sconce box. Install mounting wing for 1/2" or 5/8" drywall. Pull cable...



...Inserting it into installed NM94 connector. Tilt box to insert it into the stud cavity.



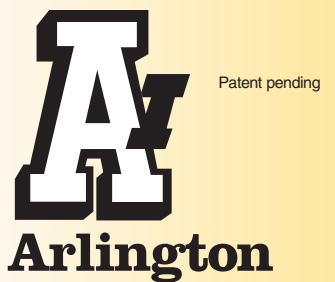
Pull box towards you, into the 4" opening. Flip the retaining wings outward. Tighten screws to secure box to wallboard.



Finished box installation. Ready to install sconce light.

Catalog Number	UPC/DEI/NAED Mfg. #018997	Description SCENCE BOX	Unit/Std Pkg
FSC405R	04094	Non-metallic, 5.0 cubic inch, 4" Dia. Low profile sconce box	1/10

Includes box, NM cable connector, (2) mounting wings for 1/2" drywall, (2) mounting wings for 5/8" drywall and (2) installation screws for 'wings'



1 Stauffer Industrial Park
Scranton, PA 18517
800/233.4717
Fax 570/562.0646
www.aifittings.com

Low Profile Sconce Box

Made in USA 



Perfect for shallow wall cavities or obstructions behind the wall



Never mind obstructions behind the wall.

Install the fixture where YOU want it, with Arlington's low profile sconce box.

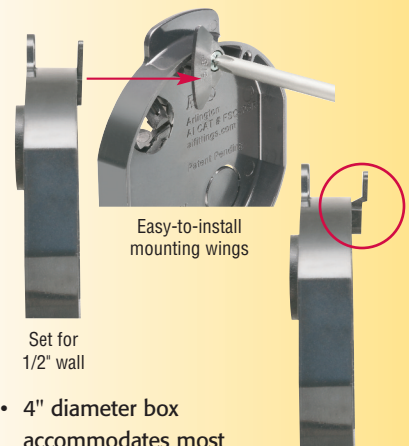
NEW!

FSC405R
Low profile Sconce Box

Arlington's **Low Profile Sconce Box** offers the time-saving solution to retrofit installations that have shallow wall cavities - or obstructions running behind the wallboard.

This 4" diameter non-metallic box installs in an existing 1/2" or 5/8" wall with a 4" hole saw.

- Includes NM cable connector and mounting wings for 1/2" or 5/8" drywall and installation screws for the mounting wings



- 4" diameter box accommodates most sconce light canopies, completely hiding the box

5/8" mounting wing installed

- CULUS Listed 

Easy installation in Existing Walls...



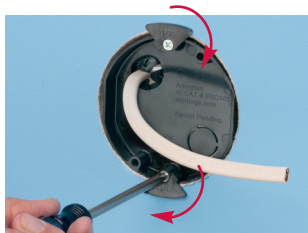
Determine sconce light location. Cut opening with 4" hole saw.



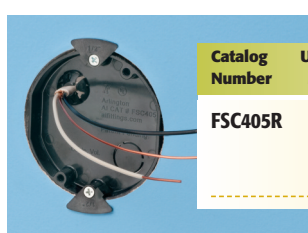
Pipe obstruction behind wall prevents the installation of a typical sconce box. Install mounting wing for 1/2" or 5/8" drywall. Pull cable...



...Inserting it into installed NM94 connector. Tilt box to insert it into the stud cavity.



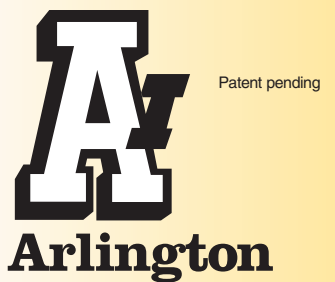
Pull box towards you, into the 4" opening. Flip the retaining wings outward. Tighten screws to secure box to wallboard.



Finished box installation. Ready to install sconce light.

Catalog Number	UPC/DEI/NAED Mfg. #018997	Description SCENCE BOX	Unit/Std Pkg
FSC405R	04094	Non-metallic, 5.0 cubic inch, 4" Dia. Low profile sconce box	1/10

Includes box, NM cable connector, (2) mounting wings for 1/2" drywall, (2) mounting wings for 5/8" drywall and (2) installation screws for 'wings'



1 Stauffer Industrial Park
Scranton, PA 18517
800/233.4717
Fax 570/562.0646
www.aifittings.com