

# FSL LED DECORATIVE FLOOD

Cat.#

Job

Type



**HUBBELL**  
Outdoor Lighting

Approvals

## SPECIFICATIONS

### Intended Use:

Ultra compact LED flood with a variety of NEMA distributions for lighting applications such as safety/security, accent, flag pole, columns, or signs

### Construction:

- Corrosion resistant, rugged die-cast aluminum housing with powder coat paint finish
- High impact UV stabilized acrylic outer lens protects LEDs and allows for cleaning and debris removal
- Vented housing isolates LED module from driver, maximizing product life and performance
- Visor and vandal lens available

### LED:

- 10 high powered LED's
- Ambient operating temperature -35°C to 40°C
- Stock Versions: 4000K and 5000K CCT
- MTO Versions: 3000K CCT nominal with 80 CRI, 4000K and 5000K CCT nominal with 70 CRI

### Optical/Electrical

- Variety of NEMA distributions: - N (3x3), M (4x4), RM (5x4) and W (6x6) - for wide range of lighting applications; Stock version Wide (6x6) only
- 120-277V operation, 50/60Hz
- Driver IP66 and RoHS compliant

### Optical/Electrical (Cont.)

- Comes standard with 10KV surge protection device
- 0-10V dimming driver standard, continuous dimming option to have leads pulled out for easy connection

### Installation:

- Traditional 1/2" x 14 NPS threaded adjustable knuckle mounting
- Easy maintenance access to electrical components with removal of 4 screws from back of fixture housing.

### Listings:

- IP66
- Listed to UL1598 for use in wet locations
- DLC Qualified (4000K and 5000K models only); Consult DLC website for more details: <http://www.designlights.org/QPL>

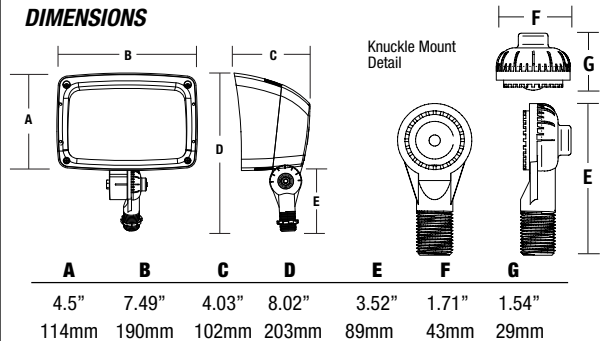
### Warranty:

5 year limited warranty, for more information visit: <http://www.hubbellighting.com/resources/warranty/>

## PRODUCT IMAGE(S)



## DIMENSIONS



## SHIPPING INFORMATION

Catalog Number	G.W(kg)/CTN	Carton Dimensions		
		Length Inch (cm)	Width Inch (cm)	Height Inch (cm)
FSL-25 (Single carton 1pc.)	2.66 lbs (1.2)	9.45" (24)	7.87" (20)	6.69" (17)
FSL-25 (Master carton 2 pcs.)	5.31 lbs (2.4)	16.54" (42)	10.04" (25.5)	7.68" (19.5)
FSL-25 (Single carton 1 pc.)	3.18 lbs (1.4)	11.81" (30)	9.45" (24)	7.48" (19)

Carton dimensions for shipping purposes only

## CERTIFICATIONS/LISTINGS



## ORDERING INFORMATION - STOCK VERSION

Catalog Number	Mount	Max Candle Power	Beam Pattern	Wattage	Drive Current	Voltage	Color Temperature	Lumens	LPW	Weight lbs. (kg)	Finish
FSL-25	1/2" thread	1814	Wide	25	700mA	120-277V	5000K	2664	106.5	6 (2.7)	Bronze
FSL-25-PCU	1/2" thread	1814	Wide	25	700mA	120-277V	5000K	2664	106.5	6 (2.7)	
FSL-25-4K	1/2" thread	1794	Wide	26	700mA	120-277V	4000K	2406	92.5	6 (2.7)	
FSL-25-4K-PCU	1/2" thread	1668	Wide	26	700mA	120-277V	4000K	2463	98.5	6 (2.7)	

## ORDERING INFORMATION - MADE TO ORDER

FSL - 10L - 25 - [ ] - [ ] - [ ] - K - [ ] - [ ] - F

FAMILY	# LEDS	WATTS	CCT	DISTRIBUTION	VOLTAGE	MOUNTING	FINISH	CONTROL OPTION	OPTIONS
FSL	FACTOR Flood Small	10L 10 LED 25 25W	3K 3000K 4K 4000K 5K 5000K	N 3x3 M 4x4 RM 5x4 W 6x6	U 120V-277V 1 120V 2 208V 3 240V 4 277V	K Knuckle	DB Bronze BL Black WH White GR Gray PS Platinum silver CC Custom Color	PC <sup>1</sup> Photocontrol (voltage specified and determined by voltage field) CD Continuous dimming	F <sup>1</sup> Fusing 120 or 277V only (determined by voltage field)

1 - PC - photocell and F - Fusing options cannot be combined, only available as separate options



Hubbell Outdoor Lighting • 701 Millennium Boulevard • Greenville, SC 29607 • Phone: 864-678-1000

Due to our continued efforts to improve our products, product specifications are subject to change without notice.

© 2017 HUBBELL OUTDOOR LIGHTING. All Rights Reserved • For more information visit our website: [www.hubbelloutdoor.com](http://www.hubbelloutdoor.com) • Printed in USA April 27, 2018 10:23 AM FSLLED-SPEC

## ACCESSORIES/REPLACEMENT PARTS - Order Separately

Catalog Number	Description
FSL-SPC	Vandal resistant polycarbonate lens (Replaces existing acrylic fixture lens)
FSL-VISOR-XX <sup>1</sup>	Top/Bottom visor (Tap holes in lens frame for field installation)
93047942AC	Acrylic lens w/ gasket
93047957	FSL7, 25w, 120-277V Dimming driver, 1050mA
93043808	FSL10, 25w, 120-277V Dimming driver, 700mA
20750110264	Knuckle mount Dark Bronze finish. Contact factory for additional finishes
S-302	Slipfits 1 1/2" or 2" pipe (1.9" OD or 2 3/8" OD) with 1/2" N.P.S.M. hub; Gray
S-302-M51	Slipfits 1 1/2" or 2" pipe (1.9" OD or 2 3/8" OD) with 1/2" N.P.S.M. hub; Bronze
S-302-M52	Slipfits 1 1/2" or 2" pipe (1.9" OD or 2 3/8" OD) with 1/2" N.P.S.M. hub; White
TRN-XX <sup>1</sup>	Trunnion adaptor for 1/2" threaded knuckle mount

<sup>1</sup> Specify finish color to match fixture, e.g. DB - Bronze.



## PERFORMANCE DATA - MTO

# OF LEDS	DRIVE CURRENT	SYSTEM WATTS	DIST. TYPE	NEMA	FIELD ANGLE H° X V°	5K (5100K nominal, 70 CRI)			4K (4200K nominal, 70 CRI)			3K (3000K nominal, 80 CRI)		
						LUMENS	LPW <sup>1</sup>	MAX BEAM CANDLEPOWER	LUMENS	LPW <sup>1</sup>	MAX BEAM CANDLEPOWER	LUMENS	LPW <sup>1</sup>	MAX BEAM CANDLEPOWER
7	1050mA	26W	W	6 X 6	W	-	-	-	2406	92.5	1794	-	-	-
10	700mA	25w	N	3 x 3	32 x 32	2735	110	22259	2583	108	20172	2007	84	17546
			M	4 x 4	54 x 54	2742	109	8210	2511	105	7162	2008	84	5761
			RM	5 x 4	85 x 68	2250	88	3822	2124	89	3468	1714	71	2977
			W	6 x 6	107 x 107	2664	106.5	1814	2463	98.5	1668	1984	83	1494

<sup>1</sup> - Lumen values are from photometric tests performed in accordance with IESNA LM-79-08. Data is considered to be representative of the configurations shown. Actual performance may differ as a result of end-user environment and application.

## PROJECTED LUMEN MAINTENANCE - Stock

AMBIENT TEMP.	OPERATING HOURS - FSL-7					Calculated L70 (HOURS)
	0	25,000	50,000	<sup>1</sup> TM-21-11 60,000	100,000	
40°C / 104°F	0.99	0.91	0.85	0.84	0.76	>137,000

## PROJECTED LUMEN MAINTENANCE - MTO

AMBIENT TEMP.	OPERATING HOURS - FSL-10					Calculated L70 (HOURS)
	0	25,000	50,000	<sup>1</sup> TM-21-11 60,000	100,000	
25°C / 77°F	1.00	0.98	0.96	0.96	0.94	>696,000
40°C / 104°F	0.99	0.96	0.95	0.94	0.92	>565,000

## LUMINAIRE AMBIENT TEMPERATURE FACTOR (LATF)

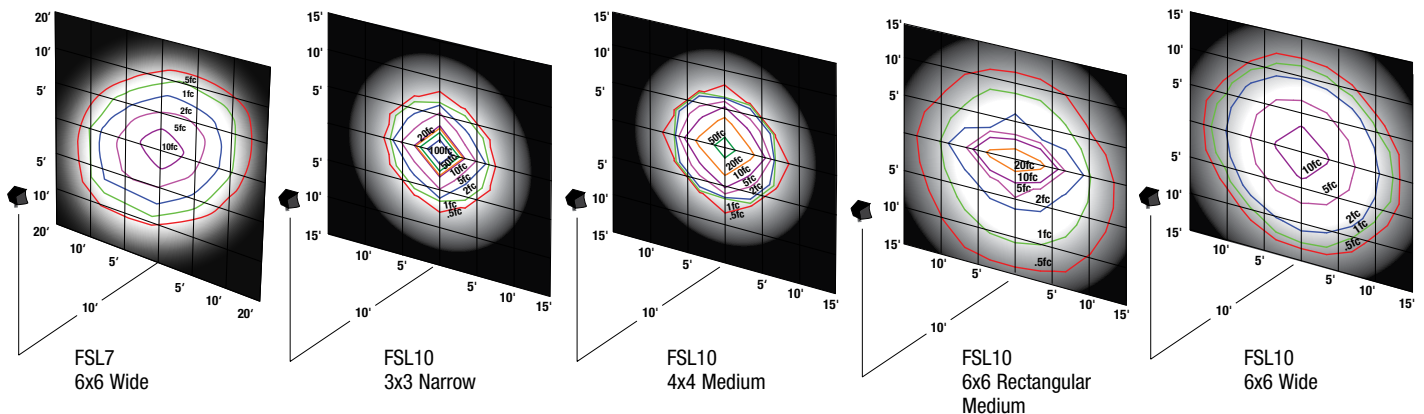
AMBIENT TEMPERATURE	LUMEN MULTIPLIER
0°C	1.02
10°C	1.01
20°C	1.00
25°C	1.00
30°C	1.00
40°C	0.99
50°C	0.98

Use these factors to determine relative lumen output for average ambient temperatures from 0-50°C (32-122°F).

## ELECTRICAL DATA

# OF LEDS	NUMBER OF DRIVERS	DRIVE CURRENT (mA)	INPUT VOLTAGE (V)	CURRENT (Amps)	SYSTEM POWER (W)
7	1	1050mA	120	0.23	26
			277	0.11	26
10	1	700mA	120	0.204	25
			277	0.09	25

## PHOTOMETRICS For additional photometric information and IES downloads, visit our web site at [www.hubbelloutdoor.com](http://www.hubbelloutdoor.com)



**HUBBELL**  
Outdoor Lighting

Hubbell Outdoor Lighting • 701 Millennium Boulevard • Greenville, SC 29607 • Phone: 864-678-1000

Due to our continued efforts to improve our products, product specifications are subject to change without notice.

© 2017 HUBBELL OUTDOOR LIGHTING, All Rights Reserved • For more information visit our website: [www.hubbelloutdoor.com](http://www.hubbelloutdoor.com) • Printed in USA April 27, 2018 10:23 AM FSLLED-SPEC

# FSL LED DECORATIVE FLOOD

Cat.#

Job

Type



**HUBBELL**  
Outdoor Lighting

Approvals

## SPECIFICATIONS

### Intended Use:

Ultra compact LED flood with a variety of NEMA distributions for lighting applications such as safety/security, accent, flag pole, columns, or signs

### Construction:

- Corrosion resistant, rugged die-cast aluminum housing with powder coat paint finish
- High impact UV stabilized acrylic outer lens protects LEDs and allows for cleaning and debris removal
- Vented housing isolates LED module from driver, maximizing product life and performance
- Visor and vandal lens available

### LED:

- 10 high powered LED's
- Ambient operating temperature -35°C to 40°C
- Stock Versions: 4000K and 5000K CCT
- MTO Versions: 3000K CCT nominal with 80 CRI, 4000K and 5000K CCT nominal with 70 CRI

### Optical/Electrical

- Variety of NEMA distributions: - N (3x3), M (4x4), RM (5x4) and W (6x6) - for wide range of lighting applications; Stock version Wide (6x6) only
- 120-277V operation, 50/60Hz
- Driver IP66 and RoHS compliant

### Optical/Electrical (Cont.)

- Comes standard with 10KV surge protection device
- 0-10V dimming driver standard, continuous dimming option to have leads pulled out for easy connection

### Installation:

- Traditional 1/2" x 14 NPS threaded adjustable knuckle mounting
- Easy maintenance access to electrical components with removal of 4 screws from back of fixture housing.

### Listings:

- IP66
- Listed to UL1598 for use in wet locations
- DLC Qualified (4000K and 5000K models only); Consult DLC website for more details: <http://www.designlights.org/QPL>

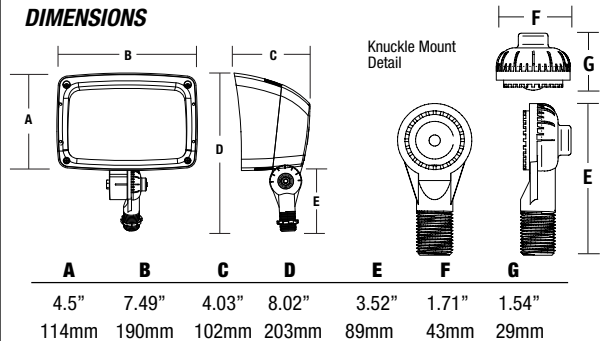
### Warranty:

5 year limited warranty, for more information visit: <http://www.hubbellighting.com/resources/warranty/>

## PRODUCT IMAGE(S)



## DIMENSIONS



## SHIPPING INFORMATION

Catalog Number	G.W(kg)/CTN	Carton Dimensions		
		Length Inch (cm)	Width Inch (cm)	Height Inch (cm)
FSL-25 (Single carton 1pc.)	2.66 lbs (1.2)	9.45" (24)	7.87" (20)	6.69" (17)
FSL-25 (Master carton 2 pcs.)	5.31 lbs (2.4)	16.54" (42)	10.04" (25.5)	7.68" (19.5)
FSL-25 (Single carton 1 pc.)	3.18 lbs (1.4)	11.81" (30)	9.45" (24)	7.48" (19)

Carton dimensions for shipping purposes only

## CERTIFICATIONS/LISTINGS



## ORDERING INFORMATION - STOCK VERSION

Catalog Number	Mount	Max Candle Power	Beam Pattern	Wattage	Drive Current	Voltage	Color Temperature	Lumens	LPW	Weight lbs. (kg)	Finish
FSL-25	1/2" thread	1814	Wide	25	700mA	120-277V	5000K	2664	106.5	6 (2.7)	Bronze
FSL-25-PCU	1/2" thread	1814	Wide	25	700mA	120-277V	5000K	2664	106.5	6 (2.7)	
FSL-25-4K	1/2" thread	1794	Wide	26	700mA	120-277V	4000K	2406	92.5	6 (2.7)	
FSL-25-4K-PCU	1/2" thread	1668	Wide	26	700mA	120-277V	4000K	2463	98.5	6 (2.7)	

## ORDERING INFORMATION - MADE TO ORDER

FSL - 10L - 25 - [ ] - [ ] - [ ] - K - [ ] - [ ] - [ ] - F

FAMILY	# LEDS	WATTS	CCT	DISTRIBUTION	VOLTAGE	MOUNTING	FINISH	CONTROL OPTION	OPTIONS
FSL	10L 10 LED	25 25W	3K 3000K	N 3x3	U 120V-277V	K Knuckle	DB Bronze	PC <sup>1</sup> Photocontrol (voltage specified and determined by voltage field)	F <sup>1</sup> Fusing 120 or 277V only (determined by voltage field)
			4K 4000K	M 4x4	1 120V		BL Black		
			5K 5000K	RM 5x4	2 208V		WH White		
				W 6x6	3 240V		GR Gray	CD Continuous dimming	
					4 277V		PS Platinum silver		
							CC Custom Color		

1 - PC - photocell and F - Fusing options cannot be combined, only available as separate options



Hubbell Outdoor Lighting • 701 Millennium Boulevard • Greenville, SC 29607 • Phone: 864-678-1000

Due to our continued efforts to improve our products, product specifications are subject to change without notice.

© 2017 HUBBELL OUTDOOR LIGHTING. All Rights Reserved • For more information visit our website: [www.hubbelloutdoor.com](http://www.hubbelloutdoor.com) • Printed in USA April 27, 2018 10:23 AM FSLLED-SPEC

## ACCESSORIES/REPLACEMENT PARTS - Order Separately

Catalog Number	Description
FSL-SPC	Vandal resistant polycarbonate lens (Replaces existing acrylic fixture lens)
FSL-VISOR-XX <sup>1</sup>	Top/Bottom visor (Tap holes in lens frame for field installation)
93047942AC	Acrylic lens w/ gasket
93047957	FSL7, 25w, 120-277V Dimming driver, 1050mA
93043808	FSL10, 25w, 120-277V Dimming driver, 700mA
20750110264	Knuckle mount Dark Bronze finish. Contact factory for additional finishes
S-302	Slipfits 1 1/2" or 2" pipe (1.9" OD or 2 3/8" OD) with 1/2" N.P.S.M. hub; Gray
S-302-M51	Slipfits 1 1/2" or 2" pipe (1.9" OD or 2 3/8" OD) with 1/2" N.P.S.M. hub; Bronze
S-302-M52	Slipfits 1 1/2" or 2" pipe (1.9" OD or 2 3/8" OD) with 1/2" N.P.S.M. hub; White
TRN-XX <sup>1</sup>	Trunnion adaptor for 1/2" threaded knuckle mount

<sup>1</sup> Specify finish color to match fixture, e.g. DB - Bronze.



## PERFORMANCE DATA - MTO

# OF LEDS	DRIVE CURRENT	SYSTEM WATTS	DIST. TYPE	NEMA	FIELD ANGLE H° X V°	5K (5100K nominal, 70 CRI)			4K (4200K nominal, 70 CRI)			3K (3000K nominal, 80 CRI)		
						LUMENS	LPW <sup>1</sup>	MAX BEAM CANDLEPOWER	LUMENS	LPW <sup>1</sup>	MAX BEAM CANDLEPOWER	LUMENS	LPW <sup>1</sup>	MAX BEAM CANDLEPOWER
7	1050mA	26W	W	6 X 6	W	-	-	-	2406	92.5	1794	-	-	-
10	700mA	25w	N	3 x 3	32 x 32	2735	110	22259	2583	108	20172	2007	84	17546
			M	4 x 4	54 x 54	2742	109	8210	2511	105	7162	2008	84	5761
			RM	5 x 4	85 x 68	2250	88	3822	2124	89	3468	1714	71	2977
			W	6 x 6	107 x 107	2664	106.5	1814	2463	98.5	1668	1984	83	1494

<sup>1</sup> - Lumen values are from photometric tests performed in accordance with IESNA LM-79-08. Data is considered to be representative of the configurations shown. Actual performance may differ as a result of end-user environment and application.

## PROJECTED LUMEN MAINTENANCE - Stock

AMBIENT TEMP.	OPERATING HOURS - FSL-7					Calculated L70 (HOURS)
	0	25,000	50,000	<sup>1</sup> TM-21-11	60,000	
40°C / 104°F	0.99	0.91	0.85	0.84	0.76	>137,000

## PROJECTED LUMEN MAINTENANCE - MTO

AMBIENT TEMP.	OPERATING HOURS - FSL-10					Calculated L70 (HOURS)
	0	25,000	50,000	<sup>1</sup> TM-21-11	60,000	
25°C / 77°F	1.00	0.98	0.96	0.96	0.94	>696,000
40°C / 104°F	0.99	0.96	0.95	0.94	0.92	>565,000

## LUMINAIRE AMBIENT TEMPERATURE FACTOR (LATF)

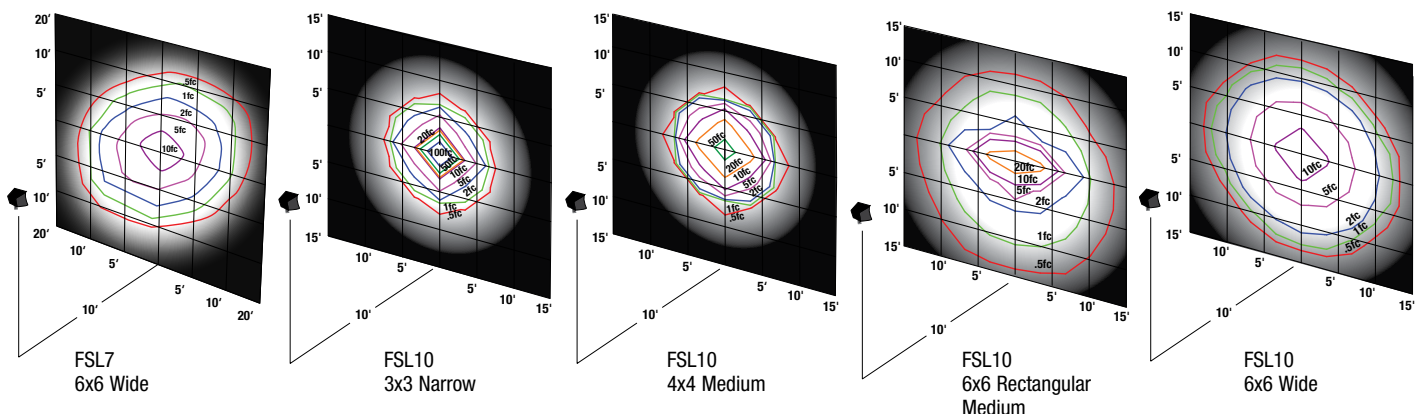
AMBIENT TEMPERATURE	LUMEN MULTIPLIER
0°C	1.02
10°C	1.01
20°C	1.00
25°C	1.00
30°C	1.00
40°C	0.99
50°C	0.98

Use these factors to determine relative lumen output for average ambient temperatures from 0-50°C (32-122°F).

## ELECTRICAL DATA

# OF LEDS	NUMBER OF DRIVERS	DRIVE CURRENT (mA)	INPUT VOLTAGE (V)	CURRENT (Amps)	SYSTEM POWER (W)
7	1	1050mA	120	0.23	26
			277	0.11	26
10	1	700mA	120	0.204	25
			277	0.09	25

## PHOTOMETRICS For additional photometric information and IES downloads, visit our web site at [www.hubbelloutdoor.com](http://www.hubbelloutdoor.com)



**HUBBELL**  
Outdoor Lighting

Hubbell Outdoor Lighting • 701 Millennium Boulevard • Greenville, SC 29607 • Phone: 864-678-1000

Due to our continued efforts to improve our products, product specifications are subject to change without notice.

© 2017 HUBBELL OUTDOOR LIGHTING, All Rights Reserved • For more information visit our website: [www.hubbelloutdoor.com](http://www.hubbelloutdoor.com) • Printed in USA April 27, 2018 10:23 AM FSLLED-SPEC