

DESCRIPTION

The ALL-PRO™ LED Single Head Flood series is designed for superior area coverage in a dependable, die-cast aluminum housing. Using the latest in LED, driver and optic technologies, these products deliver lumens where you need them, keeping power consumption to a minimum. Available with and without integrated photocontrols, these fixtures come in white and bronze finish.

| | | |
|--------------------|--|-------------|
| Catalog # | | Type |
| Project | | |
| Comments | | Date |
| Prepared by | | |

SPECIFICATION FEATURES

Construction

- Durable die-cast aluminum housing suitable for wet locations
- Powder coated bronze or white finish
- Optically enhanced reflector improves efficiency and delivered lumens
- Tool-less head adjustment
- Suitable for wall or eave mounting
- Easy-Install features on all models

Electrical

- 120VAC, 60Hz
- Maintenance-free LEDs with 70,000 hours of life
- Fixture operating temperature range from -30°C to 40°C
- cULus listed for wet locations
- External supply wiring 75°C minimum
- Dusk to Dawn option available with integrated photo control

Optics

- Precision optics for maximum efficiency
- 5000K CCT

Warranty

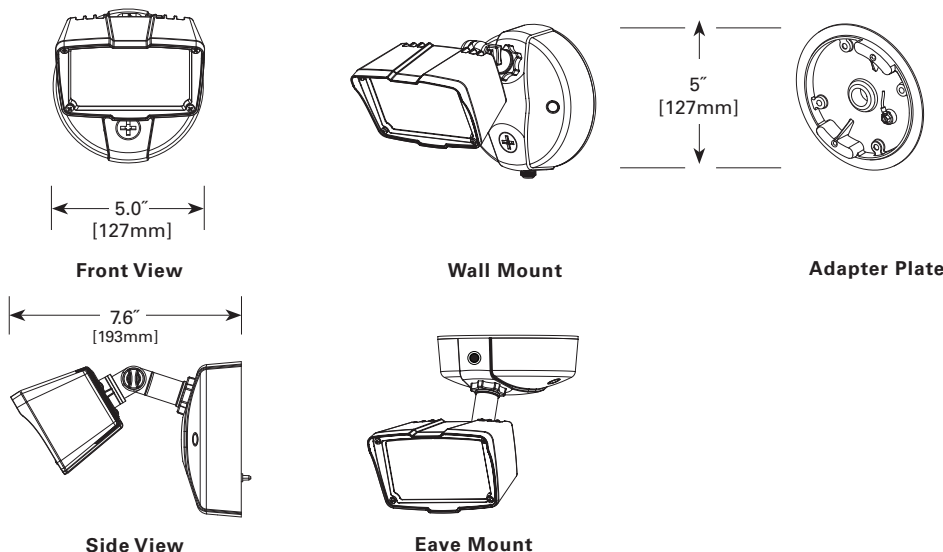
- 5 year limited warranty



LED FLOOD SERIES

FSS1530

DIMENSIONS



ORDERING INFORMATION

| Model | Description | Finish |
|-----------------|---------------------------------------|--------|
| FSS1530L | Small single head flood | Bronze |
| FSS1530LW | Small single head flood | White |
| FSS1530LPCES | Small single flood with photo control | Bronze |
| FSS1530LPCW | Small single flood with photo control | White |
| FLD-KIT-SFCGND | Flood adaptor kit | Bronze |
| FLD-KIT-SFCGNDW | Flood adaptor kit | White |

CERTIFICATION DATA

cULus Wet Location Listed
Lighting Facts® Approved

TECHNICAL DATA

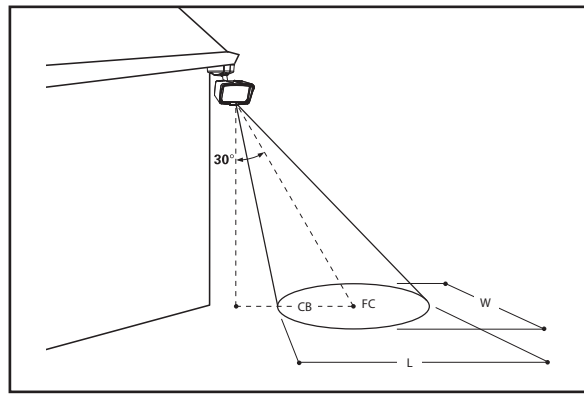
120V only
-30°C to 40°C Temperature Rating
External Supply Wiring 75° Minimum

PHOTOMETRICS

Area Coverage Estimates

| Mounting Height | Length (L) | Width (W) | Area (Sq. Ft.) |
|-----------------|------------|-----------|----------------|
| 10 ft. | 20 | 25 | 400 |
| 15 ft. | 20 | 30 | 500 |
| 20 ft. | 22 | 35 | 560 |

Note: Bronze fixture at a typical mounting angle of 30° from vertical
All figures based on minimum footcandle (FC) of 0.5.



Note: Specifications and Dimensions subject to change without notice.

LIGHTING FACTS

LED lighting facts
A Program of the U.S. DOE

Light Output (Lumens) **1475**
Watts **20.5**
Lumens per Watt (Efficacy) **71.95**

Color Accuracy
Color Rendering Index (CRI) **74**

Light Color
Correlated Color Temperature (CCT) **5000 (Daylight)**

2700K 3000K 4500K 6500K

All results are according to IESNA LM-79-2008: Approved Method for the Electrical and Photometric Testing of Solid-State Lighting. The U.S. Department of Energy (DOE) verifies product test data and results.

Visit www.lightingfacts.com for the Label Reference Guide.

Registration Number: F4QJ-LNDF34 (8/8/2016)
Model Number: FSS1530L
Type: Luminaire - Area/Roadway

LED lighting facts
A Program of the U.S. DOE

Light Output (Lumens) **1475**
Watts **20.5**
Lumens per Watt (Efficacy) **71.95**

Color Accuracy
Color Rendering Index (CRI) **74**

Light Color
Correlated Color Temperature (CCT) **5000 (Daylight)**

2700K 3000K 4500K 6500K

All results are according to IESNA LM-79-2008: Approved Method for the Electrical and Photometric Testing of Solid-State Lighting. The U.S. Department of Energy (DOE) verifies product test data and results.

Visit www.lightingfacts.com for the Label Reference Guide.

Registration Number: F4QJ-5BK6CM (8/8/2016)
Model Number: FSS1530LW
Type: Luminaire - Area/Roadway

LED lighting facts
A Program of the U.S. DOE

Light Output (Lumens) **1475**
Watts **20.5**
Lumens per Watt (Efficacy) **71.95**

Color Accuracy
Color Rendering Index (CRI) **75**

Light Color
Correlated Color Temperature (CCT) **5000 (Daylight)**

2700K 3000K 4500K 6500K

All results are according to IESNA LM-79-2008: Approved Method for the Electrical and Photometric Testing of Solid-State Lighting. The U.S. Department of Energy (DOE) verifies product test data and results.

Visit www.lightingfacts.com for the Label Reference Guide.

Registration Number: F4QJ-518K5S (10/24/2014)
Model Number: FSS1530LPCES [Upgrade : 10/8/2014]
Type: Luminaire - Directional

LED lighting facts
A Program of the U.S. DOE

Light Output (Lumens) **1450**
Watts **20.1**
Lumens per Watt (Efficacy) **72**

Color Accuracy
Color Rendering Index (CRI) **75**

Light Color
Correlated Color Temperature (CCT) **5000 (Daylight)**

2700K 3000K 4500K 6500K

All results are according to IESNA LM-79-2008: Approved Method for the Electrical and Photometric Testing of Solid-State Lighting. The U.S. Department of Energy (DOE) verifies product test data and results.

Visit www.lightingfacts.com for the Label Reference Guide.

Registration Number: F4QJ-LBWQFV (7/16/2014)
Model Number: FSS1530LPCW [Upgrade : 6/24/2014]
Type: Luminaire - Directional

DESCRIPTION

The ALL-PRO™ LED Single Head Flood series is designed for superior area coverage in a dependable, die-cast aluminum housing. Using the latest in LED, driver and optic technologies, these products deliver lumens where you need them, keeping power consumption to a minimum. Available with and without integrated photocontrols, these fixtures come in white and bronze finish.

| | | |
|--------------------|--|-------------|
| Catalog # | | Type |
| Project | | |
| Comments | | Date |
| Prepared by | | |

SPECIFICATION FEATURES

Construction

- Durable die-cast aluminum housing suitable for wet locations
- Powder coated bronze or white finish
- Optically enhanced reflector improves efficiency and delivered lumens
- Tool-less head adjustment
- Suitable for wall or eave mounting
- Easy-Install features on all models

Electrical

- 120VAC, 60Hz
- Maintenance-free LEDs with 70,000 hours of life
- Fixture operating temperature range from -30°C to 40°C
- cULus listed for wet locations
- External supply wiring 75°C minimum
- Dusk to Dawn option available with integrated photo control

Optics

- Precision optics for maximum efficiency
- 5000K CCT

Warranty

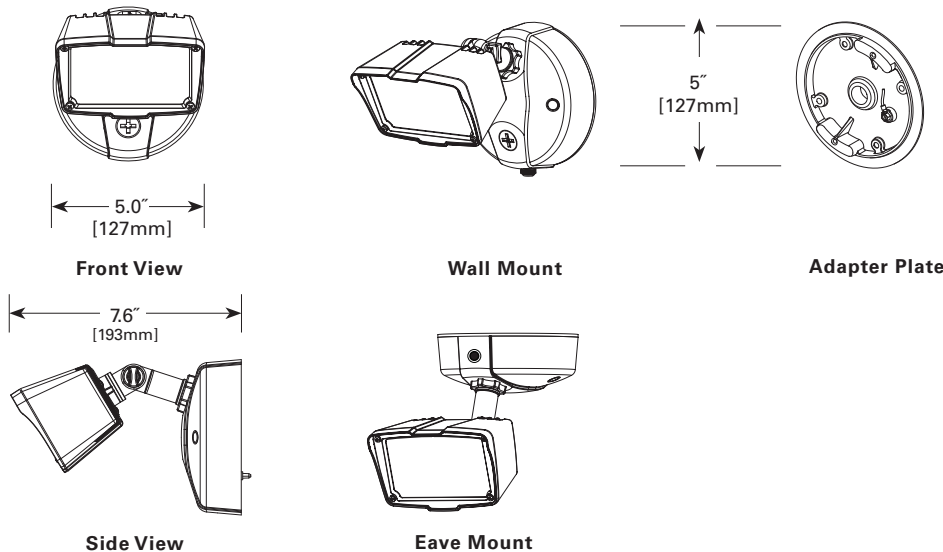
- 5 year limited warranty



LED FLOOD SERIES

FSS1530

DIMENSIONS



ORDERING INFORMATION

| Model | Description | Finish |
|-----------------|---------------------------------------|--------|
| FSS1530L | Small single head flood | Bronze |
| FSS1530LW | Small single head flood | White |
| FSS1530LPCES | Small single flood with photo control | Bronze |
| FSS1530LPCW | Small single flood with photo control | White |
| FLD-KIT-SFCGND | Flood adaptor kit | Bronze |
| FLD-KIT-SFCGNDW | Flood adaptor kit | White |

CERTIFICATION DATA

cULus Wet Location Listed
Lighting Facts® Approved

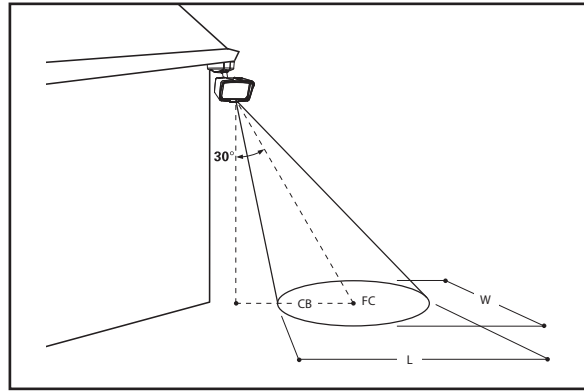
TECHNICAL DATA

120V only
-30°C to 40°C Temperature Rating
External Supply Wiring 75° Minimum

PHOTOMETRICS

Area Coverage Estimates

| Mounting Height | Length (L) | Width (W) | Area (Sq. Ft.) |
|-----------------|------------|-----------|----------------|
| 10 ft. | 20 | 25 | 400 |
| 15 ft. | 20 | 30 | 500 |
| 20 ft. | 22 | 35 | 560 |



Note: Specifications and Dimensions subject to change without notice.

Note: Bronze fixture at a typical mounting angle of 30° from vertical
All figures based on minimum footcandle (FC) of 0.5.

LIGHTING FACTS

LED lighting facts
A Program of the U.S. DOE

Light Output (Lumens) 1475
Watts 20.5
Lumens per Watt (Efficacy) 71.95

Color Accuracy
Color Rendering Index (CRI) 74

Light Color
Correlated Color Temperature (CCT) 5000 (Daylight)

2700K 3000K 4500K 6500K

All results are according to IESNA LM-79-2008: Approved Method for the Electrical and Photometric Testing of Solid-State Lighting. The U.S. Department of Energy (DOE) verifies product test data and results.

Visit www.lightingfacts.com for the Label Reference Guide.

Registration Number: F4QJ-LNDF34 (8/8/2016)
Model Number: FSS1530L
Type: Luminaire - Area/Roadway

LED lighting facts
A Program of the U.S. DOE

Light Output (Lumens) 1475
Watts 20.5
Lumens per Watt (Efficacy) 71.95

Color Accuracy
Color Rendering Index (CRI) 74

Light Color
Correlated Color Temperature (CCT) 5000 (Daylight)

2700K 3000K 4500K 6500K

All results are according to IESNA LM-79-2008: Approved Method for the Electrical and Photometric Testing of Solid-State Lighting. The U.S. Department of Energy (DOE) verifies product test data and results.

Visit www.lightingfacts.com for the Label Reference Guide.

Registration Number: F4QJ-5BK6CM (8/8/2016)
Model Number: FSS1530LW
Type: Luminaire - Area/Roadway

LED lighting facts
A Program of the U.S. DOE

Light Output (Lumens) 1475
Watts 20.5
Lumens per Watt (Efficacy) 71.95

Color Accuracy
Color Rendering Index (CRI) 75

Light Color
Correlated Color Temperature (CCT) 5000 (Daylight)

2700K 3000K 4500K 6500K

All results are according to IESNA LM-79-2008: Approved Method for the Electrical and Photometric Testing of Solid-State Lighting. The U.S. Department of Energy (DOE) verifies product test data and results.

Visit www.lightingfacts.com for the Label Reference Guide.

Registration Number: F4QJ-518K5S (10/24/2014)
Model Number: FSS1530LPCES [Upgrade : 10/8/2014]
Type: Luminaire - Directional

LED lighting facts
A Program of the U.S. DOE

Light Output (Lumens) 1450
Watts 20.1
Lumens per Watt (Efficacy) 72

Color Accuracy
Color Rendering Index (CRI) 75

Light Color
Correlated Color Temperature (CCT) 5000 (Daylight)

2700K 3000K 4500K 6500K

All results are according to IESNA LM-79-2008: Approved Method for the Electrical and Photometric Testing of Solid-State Lighting. The U.S. Department of Energy (DOE) verifies product test data and results.

Visit www.lightingfacts.com for the Label Reference Guide.

Registration Number: F4QJ-LBWQFV (7/16/2014)
Model Number: FSS1530LPCW [Upgrade : 6/24/2014]
Type: Luminaire - Directional