

4000 Series

Two-Piece Metal Raceway

INSTALLATION INSTRUCTIONS

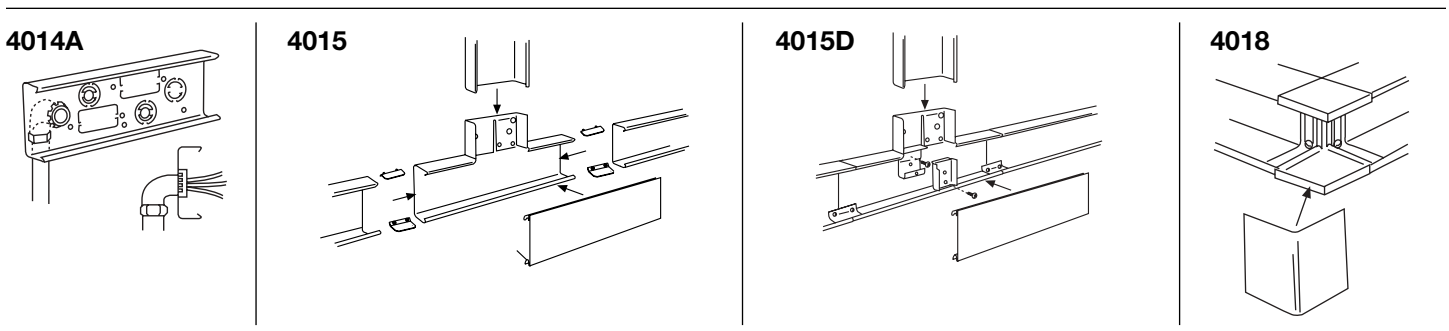
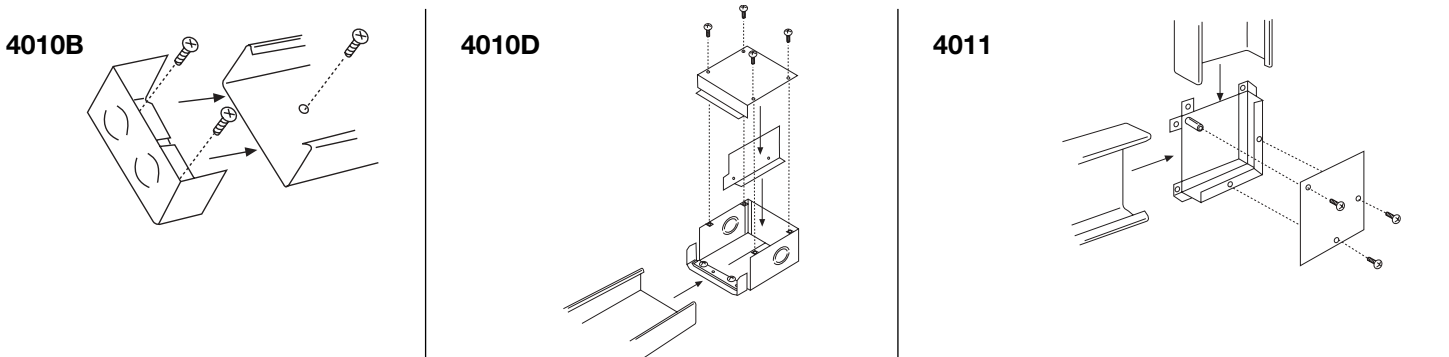
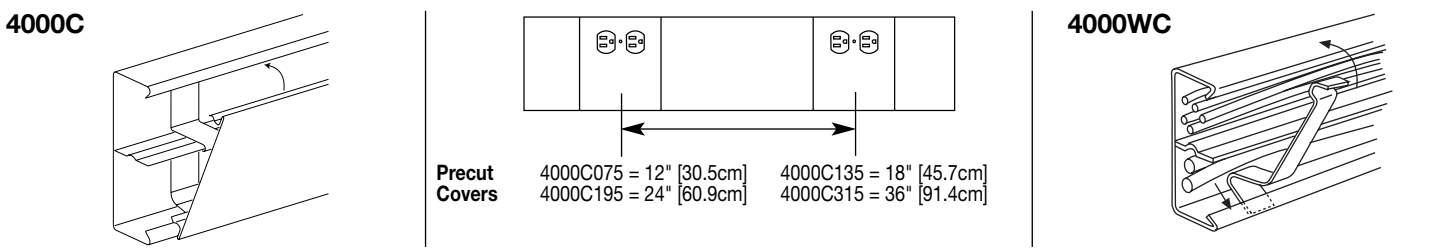
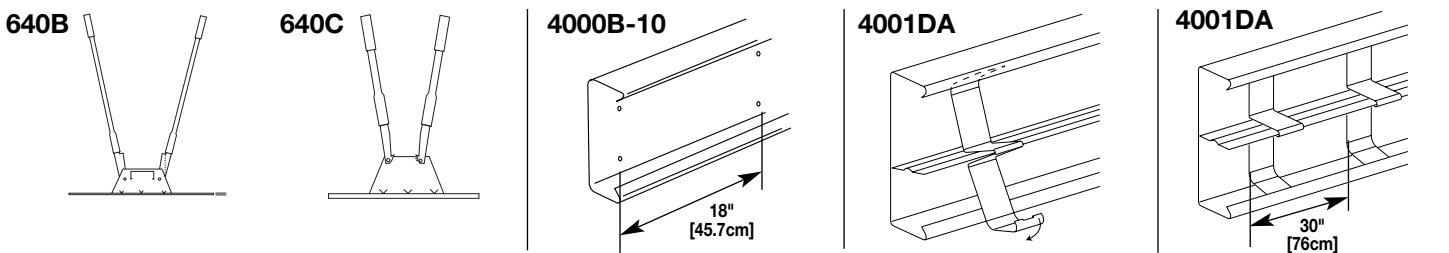
Installation Instruction No.: 41403R2 – Updated July 2004

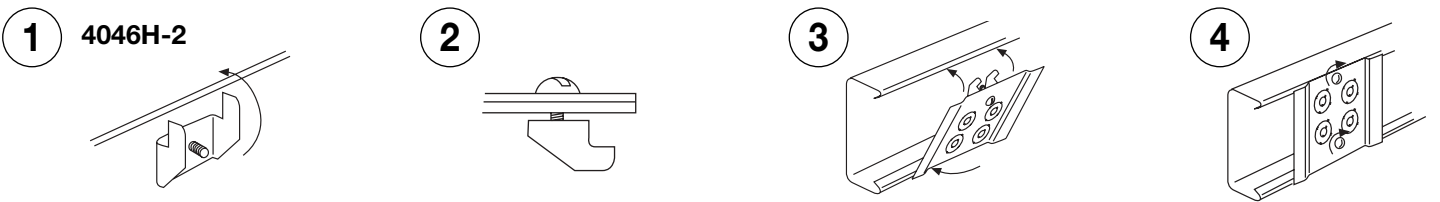
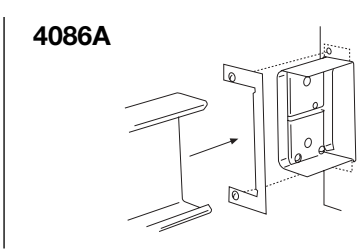
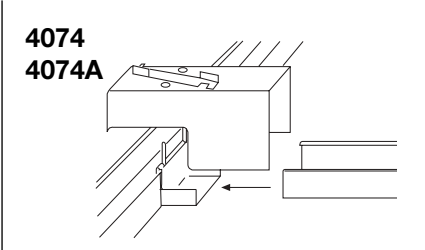
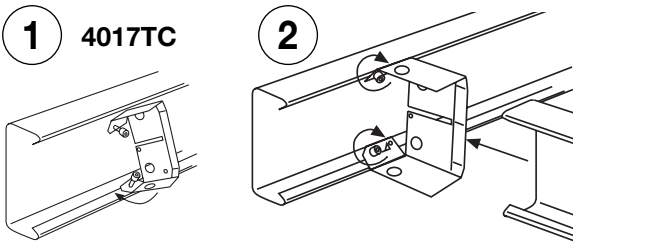
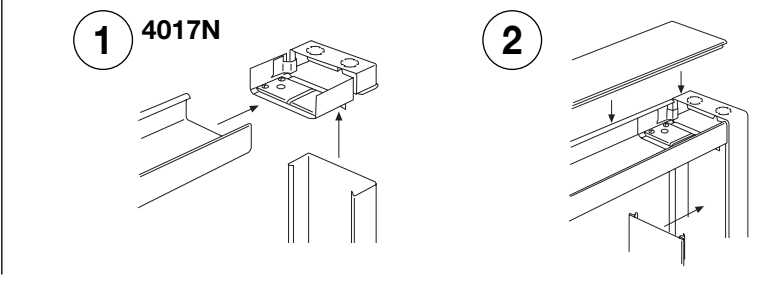
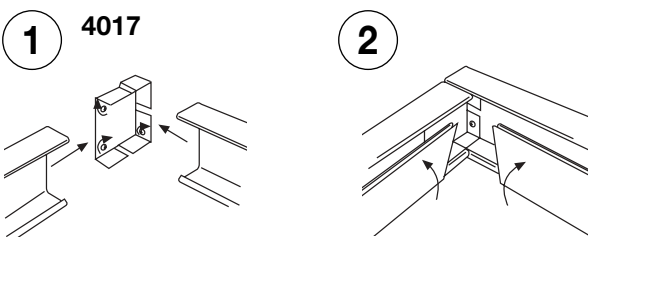
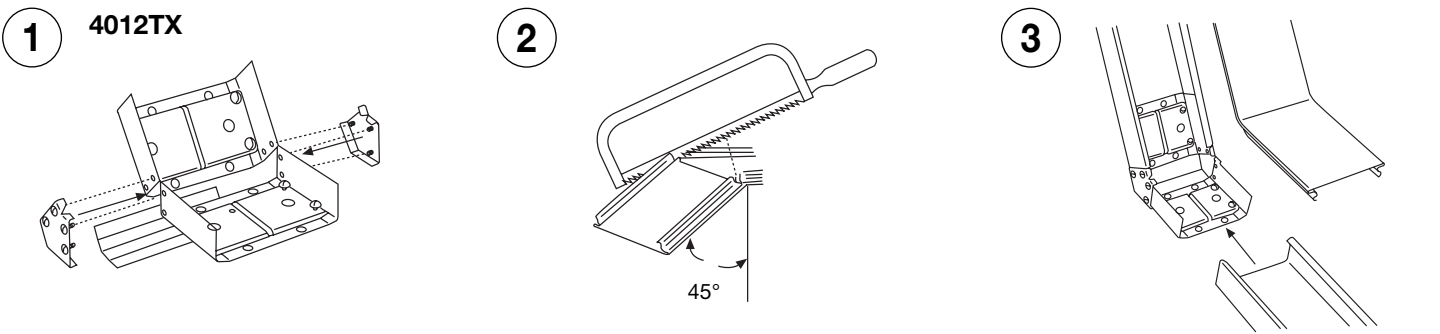
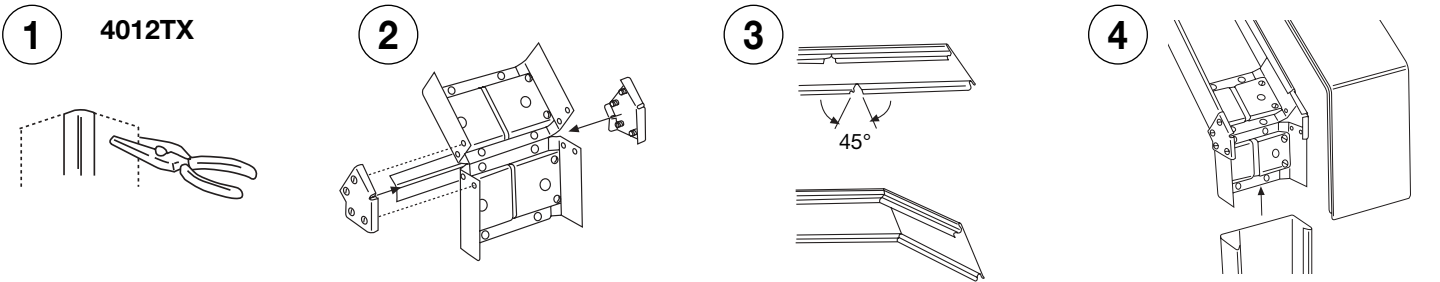
All electrical products may represent possible shock or fire hazard if improperly installed or used. Wiremold electrical products are UL Listed to U.S. and Canadian safety standards, made for interior use only, and should be installed in conformance with current local and/or the National Electrical Code.

TYPE	UNSHIELDED TWISTED PAIR 24 AWG, 4-PAIR		TELEPHONE 24 AWG, NO. OF PAIRS				COAXIAL				TWINAXIAL	SHIELDED TWISTED PAIR			FIBER OPTIC
	CAT. 5	CAT. 3	2	3	4	25	RG58/U	RG59/U	RG62/U	RG6/U	100 OHM	TYPE 1	TYPE 2	TYPE 3	TWO STRAND (DUPLX) MULTIMODE, 62.5/125µm
O.D. inches	0.220	0.190	0.140	0.150	0.190	0.410	0.195	0.242	0.242	0.270	0.330	0.390	0.465	0.245	0.190
O.D. (mm)	[5.6]	[4.8]	[3.6]	[3.8]	[4.8]	[10.4]	[5.0]	[6.1]	[6.1]	[6.9]	[8.4]	[9.9]	[11.8]	[6.2]	[4.8]
40% fill, divided	37	50	92	80	50	10	47	30	30	24	16	11	8	29	49
40% fill, undivided	75	100	183	161	100	21	95	62	62	49	33	23	16	60	100

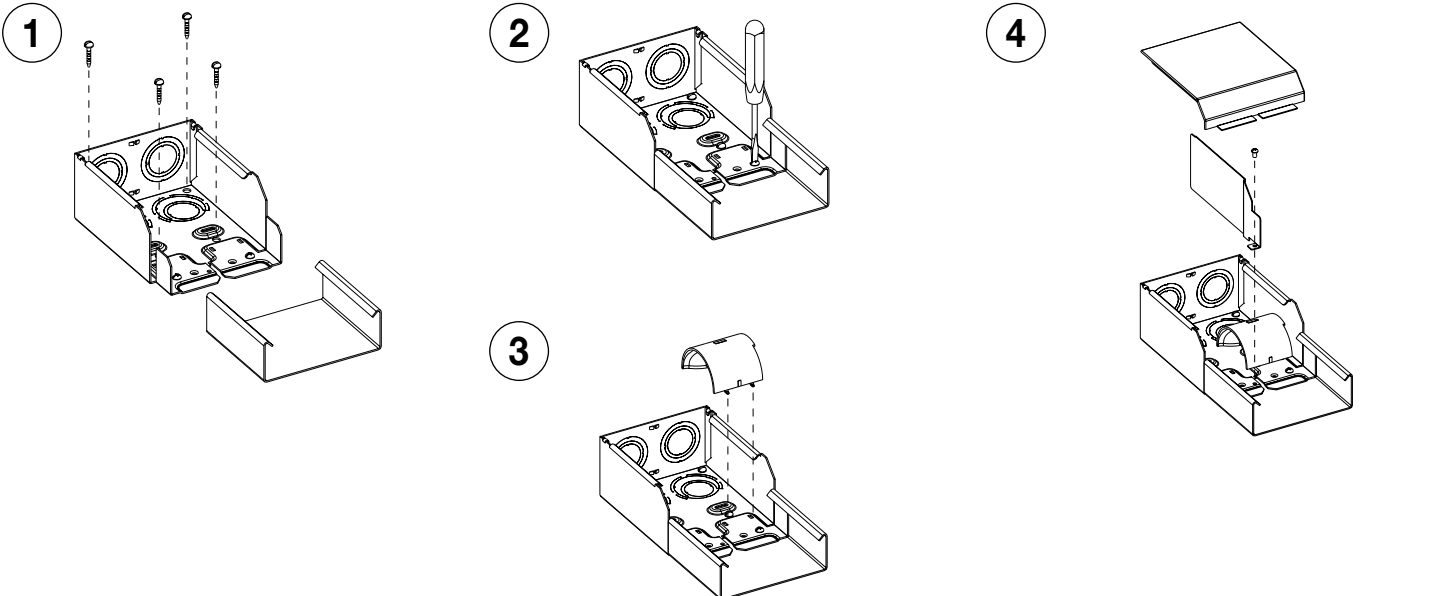
WIRE SIZE THHN/THWN	O.D. inches [mm]	NUMBER OF CONDUCTORS (40% FILL)							
		WITHOUT DEVICES		WITH DUPLX / RECT. DEVICES 1.59 in² [1025mm²]		WITH SURGE / GFCI DEVICES 2.30 in² [1485mm²]		LARGE SINGLE RECEPTACLES 3.00 in² [1935mm²]	
		UNDIVIDED	DIVIDED	UNDIVIDED	DIVIDED	UNDIVIDED	DIVIDED	UNDIVIDED	DIVIDED
14 AWG	0.111 [2.8]	296	127	165	78	107	49	49	20
12 AWG	0.130 [3.3]	216	93	120	57	78	36	36	15
10 AWG	0.164 [4.2]	136	58	76	36	49	22	22	9
8 AWG	0.216 [5.5]	78	33	43	20	28	13	13	5
6 AWG	0.254 [6.5]	56	24	31	15	20	9	9	3
4 AWG	0.324 [8.2]	34	15	-	-	-	-	-	-
3 AWG	0.352 [8.9]	29	12	-	-	-	-	-	-
2 AWG	0.384 [9.8]	24	10	-	-	-	-	-	-

- Use No. 8 (5/16", 7.9mm head size) flat head fastener or equivalent to mount base to surface.
- Utiliser une attache à tête plate de calibre 8 (tête de 7.9mm, 5/16" po.) ou une fixation équivalente pour assujettir le tube guide-fils et les raccords à la surface de montage.
- Use un sujetador de cabeza plana No. 8 (tamaño de cabeza: 7.9mm, 5/16" de pulgada) o su equivalente para unir la canalita y los accesorios a la superficie de montaje.
- Grounding: Use ground location when provided or install a suitable ground lug, ring terminal or locknut and ground bushing.
- Mise à la terre: Utiliser l'emplacement de terre prévu ou poser le matériel qui convient: patte de mise à la terre, cosse circulaire à oeil ou écrou de blocage et manchon de terre.
- Conexión a tierra: Use un localizador de tierra cuando se proporcione o instale una orejeta de tierra, anillo terminal o contratuerca y cojinetes de tierra apropiados.





4010DFO FiberReady™ Entrance End Fitting



The Wiremold Company
 U.S. and International:
 60 Woodlawn Street • West Hartford, CT 06110
 1-800-621-0049 • FAX 860-232-2062 • Outside U.S.: 860-233-6251
 Canada:
 850 Gartshore Street • Fergus, Ontario N1M 2W8
 1-800-741-7957 • FAX 519-843-5980

