

Wiremold Electrical Systems conform to and should be installed and properly grounded in compliance with requirements of the current National Electrical Code, Canadian Electrical Code or codes administered by local authorities. All electrical products may represent possible shock or fire hazard if improperly installed or used. Wiremold electrical products are UL listed. Made for interior use only and should be installed in conformance with current local and/or the National Electrical Code.

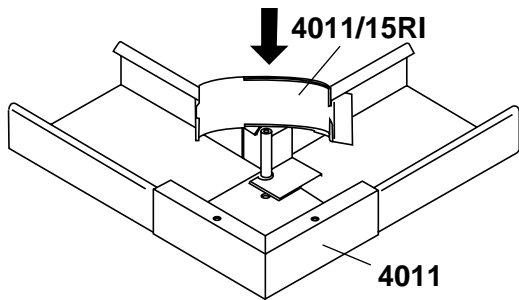
4011/15RI INSTALLATION 4011DRI INSTRUCTIONS 4015DRI 4017/18RI

Raceway Wire and Cable Fill Capacity When Using 4000 Radius Inserts

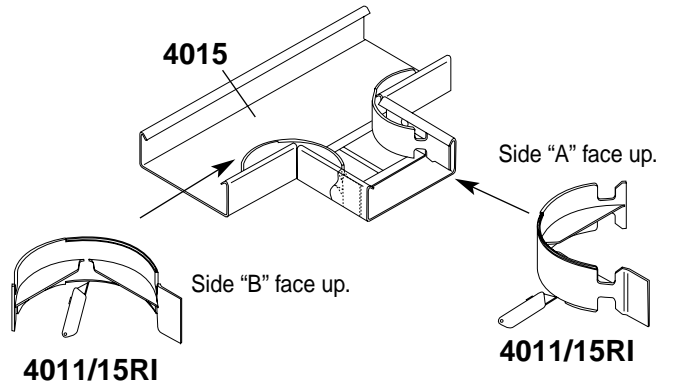
| | Cable/Wire Size | O.D. | 4011 Flat Elbow 40% Fill | | 4017& 4018 Elbows 40% Fill | | 4015D & 4015 Tee Fitting 40% Fill | |
|----------------------------|----------------------|-------|--------------------------|---------------------|----------------------------|---------------------|-----------------------------------|---------------------|
| | | | 4011DRI Divided | 4011/15RI Undivided | 4017/18RI Divided | 4017/18RI Undivided | 4015DRI Divided | 4011/15RI Undivided |
| Power Wiring THHN/THWN | 2 Awg | 0.384 | 11 | 21 | 6 | 11 | 6 | 16 |
| | 4 Awg | 0.324 | 15 | 30 | 8 | 15 | 9 | 23 |
| | 6 Awg | 0.254 | 24 | 48 | 13 | 25 | 14 | 37 |
| | 8 Awg | 0.216 | 34 | 67 | 18 | 35 | 20 | 51 |
| | 10 Awg | 0.164 | 68 | 136 | 36 | 71 | 40 | 104 |
| | 12 Awg | 0.130 | 107 | 214 | 56 | 112 | 63 | 163 |
| 14 Awg | 0.111 | 145 | 288 | 75 | 151 | 85 | 220 | |
| Unshielded Twisted Pair | Cat. 5 UTP | 0.22 | 33 | 66 | 17 | 34 | 19 | 50 |
| | Cat. 3 UTP | 0.19 | 44 | 88 | 23 | 46 | 26 | 67 |
| Telephone | 2 Pair | 0.14 | 81 | 162 | 42 | 85 | 48 | 124 |
| | 3 Pair | 0.15 | 71 | 141 | 37 | 74 | 42 | 108 |
| | 4 Pair | 0.19 | 44 | 88 | 23 | 46 | 26 | 67 |
| | 25 Pair | 0.41 | 9 | 19 | 5 | 10 | 6 | 14 |
| Coaxial | RG58/U | 0.195 | 42 | 84 | 22 | 44 | 25 | 64 |
| | RG59/U | 0.242 | 27 | 54 | 14 | 28 | 16 | 41 |
| | RG62/U | 0.242 | 27 | 54 | 14 | 28 | 16 | 41 |
| | RG6/U | 0.27 | 22 | 44 | 11 | 23 | 13 | 33 |
| TwinAxial | 100 Ohm | 0.33 | 15 | 29 | 8 | 15 | 9 | 22 |
| Shielded Twisted Pair | Type 1 STP | 0.39 | 10 | 21 | 5 | 11 | 6 | 16 |
| | Type 2 STP | 0.465 | 7 | 15 | 4 | 8 | 4 | 11 |
| | Type 3 STP | 0.245 | 27 | 53 | 14 | 28 | 16 | 40 |
| Fiber Optic | Fiber ZipCord | 0.11 | 132 | 263 | 69 | 137 | 78 | 201 |
| | Round Fiber 2 Strand | 0.18 | 49 | 98 | 26 | 51 | 29 | 75 |
| | Round Fiber 4 Strand | 0.19 | 44 | 88 | 23 | 46 | 26 | 67 |
| | Round Fiber 6 Strand | 0.21 | 36 | 72 | 19 | 38 | 21 | 55 |

Typical Installations

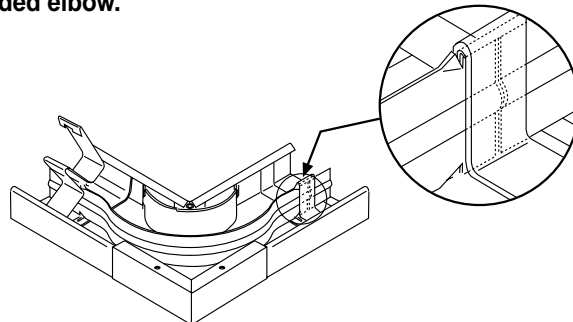
4011/15RI when used with 4011 undivided elbow.



4011/15RI when used with 4015 undivided tee.

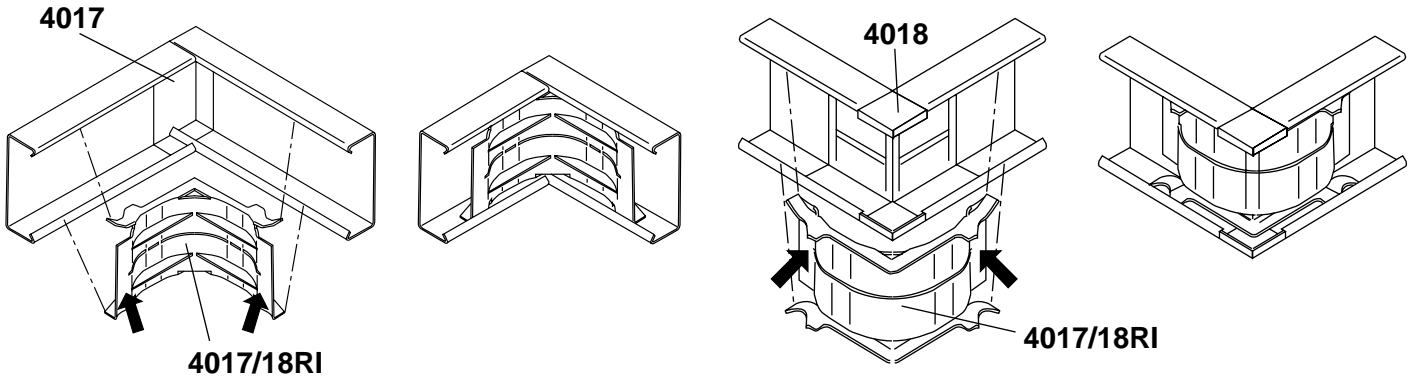


4011DRI when used with 4011 for divided elbow.

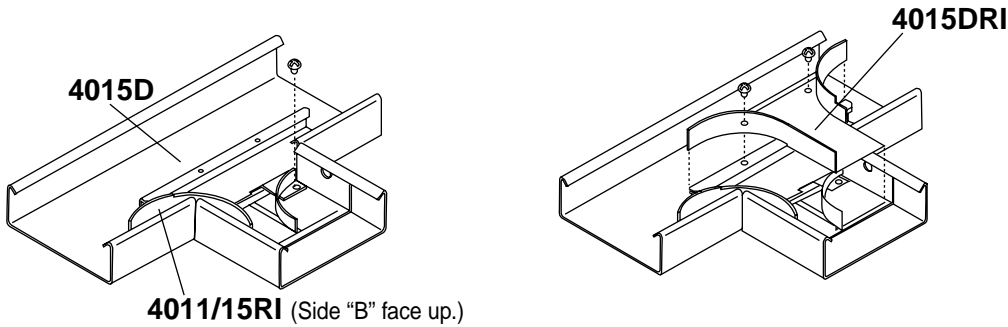


Typical Installations

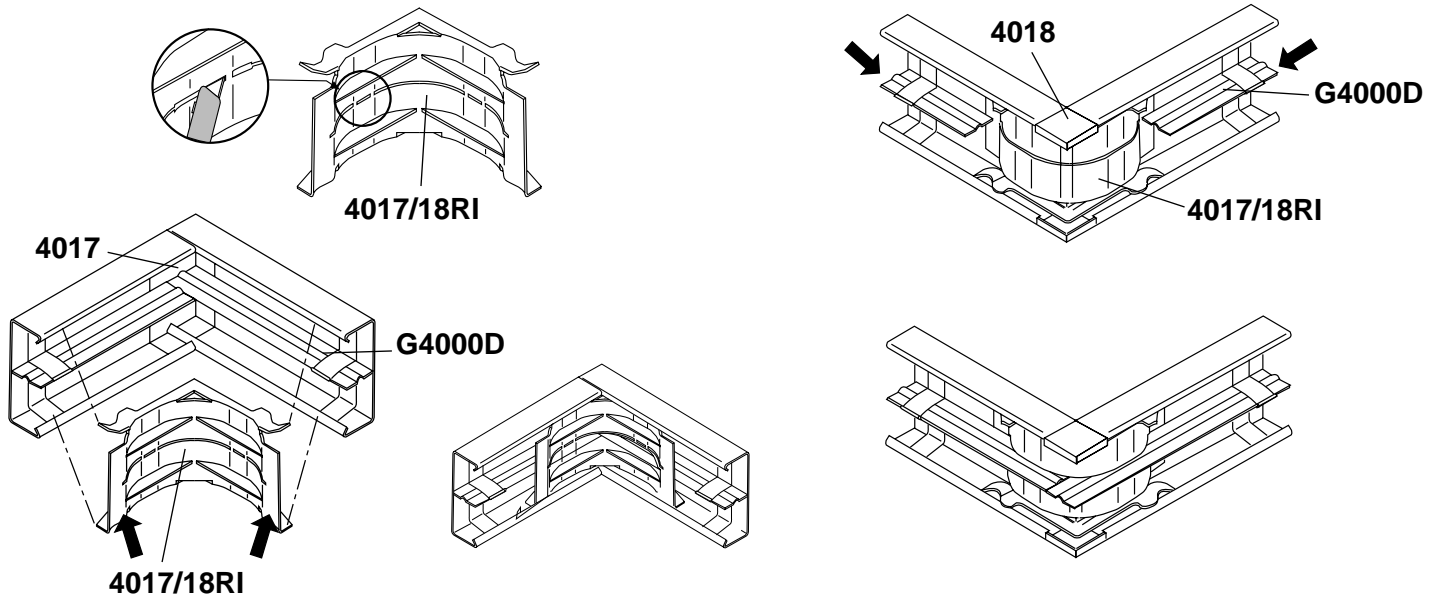
4017/18RI when used with 4017 or 4018 undivided elbows.



4015DRI when used with 4015D divided tee fitting.



4017/18RI when used with 4017 or 4018 elbow for divided raceway.



The Wiremold Company
60 Woodlawn Street
West Hartford, CT 06110
Tel 1-800-621-0049 • Fax 860-232-2062