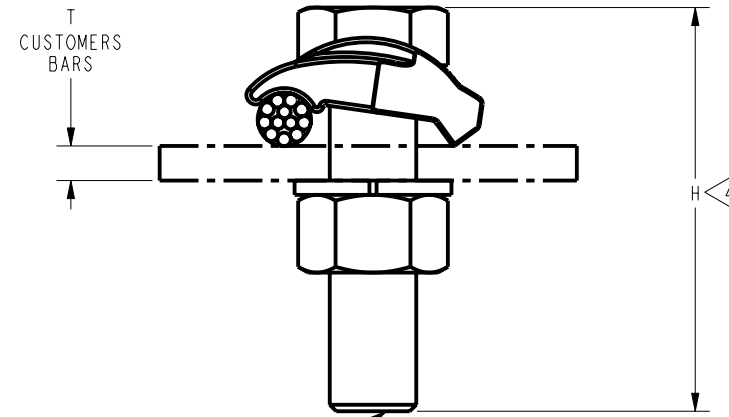
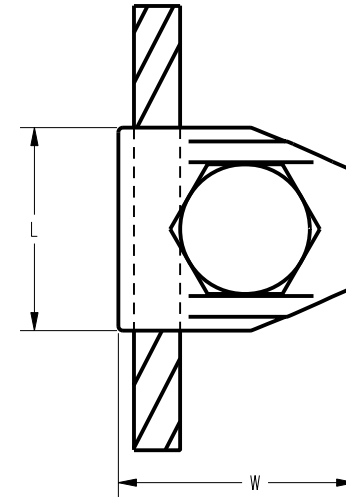


DRAWING NO.  
SC091658-01

COPPER CONDUCTORS ACCOMMODATED		5	H 4	J DIA.	L	W	T 4	TORQUE Lb*in [N*m]
AWG	METRIC WIRE SIZE	CAT. NO.					1/4"	
#8 SOL(.129 DIA) - #4 STR(.232 DIA)	10mm <sup>2</sup> SOL[3.58 DIA]- 16mm <sup>2</sup> STR[5.13 DIA]	GBM4C	1.36 [35]	3/8-16	.88 [22]	1.02 [26]	1/4"	240 [27]
#4 STR(.232 DIA)- 2/0 STR(.418 DIA)	25mm <sup>2</sup> STR[6.48 DIA]- 70mm <sup>2</sup> STR[10.9 DIA]	GBM26	1.49 [38]	3/8-16	.94 [24]	1.34 [34]		240 [27]
2/0 SOL(.365 DIA)- 250 KCMIL(.575 DIA)	70mm <sup>2</sup> STR[10.9 DIA]- 120mm <sup>2</sup> STR[14.4 DIA]	GBM29	2.07 [53]	1/2-13	1.25 [32]	1.84 [47]		480 [54]
300 KCMIL(.630 DIA)- 500 KCMIL(.814 DIA)	150mm <sup>2</sup> STR[16.0 DIA]- 240mm <sup>2</sup> STR[20.3 DIA]	GBM34	2.32 [59]	1/2-13	1.38 [35]	2.22 [56]		480 [54]
550 KCMIL(.855 DIA)- 750 KCMIL(.998 DIA)	300mm <sup>2</sup> STR[22.6 DIA]- 400mm <sup>2</sup> STR[26.1 DIA]	GBM39	3.31	5/8-11	1.75	2.69 [68]		660 [75]
800 KCMIL(1.031 DIA)- 1000 KCMIL(1.152 DIA)	400mm <sup>2</sup> STR[26.2 DIA]- 625mm <sup>2</sup> STR[32.7 DIA]	GBM44	3.31	5/8-11	1.75	3.06 [78]		660 [75]

REV	DATE	DESCRIPTION	ECO	BY	C'H'K.
B	09/28/2011 00:00:00 AM	ADD ITEMS TO SALES DRAWING.	25746	MRA	MA



J DIA SILICON BRONZE  
HEX HEAD BOLT,  
HEX NUT, AND  
SPLIT LOCKWASHER

NOTES:

1. MATERIAL: CAST COPPER ALLOY.
2. UL 467 LISTED, FILE NO. E9999. ACCEPTABLE FOR DIRECT BURIAL IN GROUND OR CONCRETE
3. DIMENSIONS IN BRACKETS [ ] ARE IN MILLIMETERS ROUNDED OFF TO THE NEAREST MILLIMETER, UNLESS OTHERWISE NOTED, AND ARE FOR REFERENCE ONLY.

4 FOR BAR THICKNESS FROM 1/4" TO 1/2" ADD THE SUFFIX "-T4" TO THE CATALOG NUMBER. FOR BAR THICKNESS FROM 1/2" TO 1" ADD THE SUFFIX "-T8" TO THE CATALOG NUMBER. "H" DIM ONLY APPLIES TO THE STANDARD (NON-SUFFIX) CATALOG NUMBERS SHOWN IN TABLE ABOVE.

5 CATALOG NUMBERS WITH A "W" SUFFIX HAVE A TIN COATED BODY AND HARDWARE.

TO ORDER BURNDY® PRODUCTS CALL  
UNITED STATES:  
1-800-346-4175 (LONDONDERRY, NH)  
CANADA:  
1-800-361-6975 (QUEBEC)  
1-800-387-6487 (ALL OTHER PROVINCES)  
FOR PRODUCT INFO: <http://www.burndy.com>

GROUND CONNECTOR

ITEM NO: N/A  
CAT. NO: GBM-- (TABLE)

DRAWN BY: HC 09/17/85  
CHECKER: CAR 09/25/85  
DSN APPVL: MSM 10/15/85  
MFG APPVL: --  
QA APPVL: A. LLOYD 12/02/93  
MKT APPVL: K. WOO 11/11/93



SCALE: 2:1  
PROD FAM: CM&R  
PROJECT #: --  
DOCUMENT TYPE: Sales  
REL LEVEL: Released  
DRAWING NO: SC091658-01  
REV: B  
SHEET 1 OF 1

REV: PE0200