

DRAWING NO.
SD211484

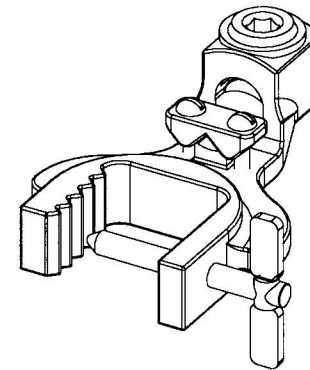
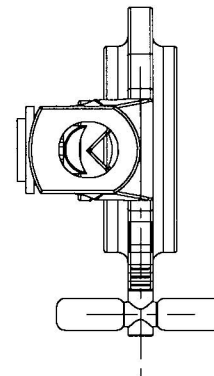
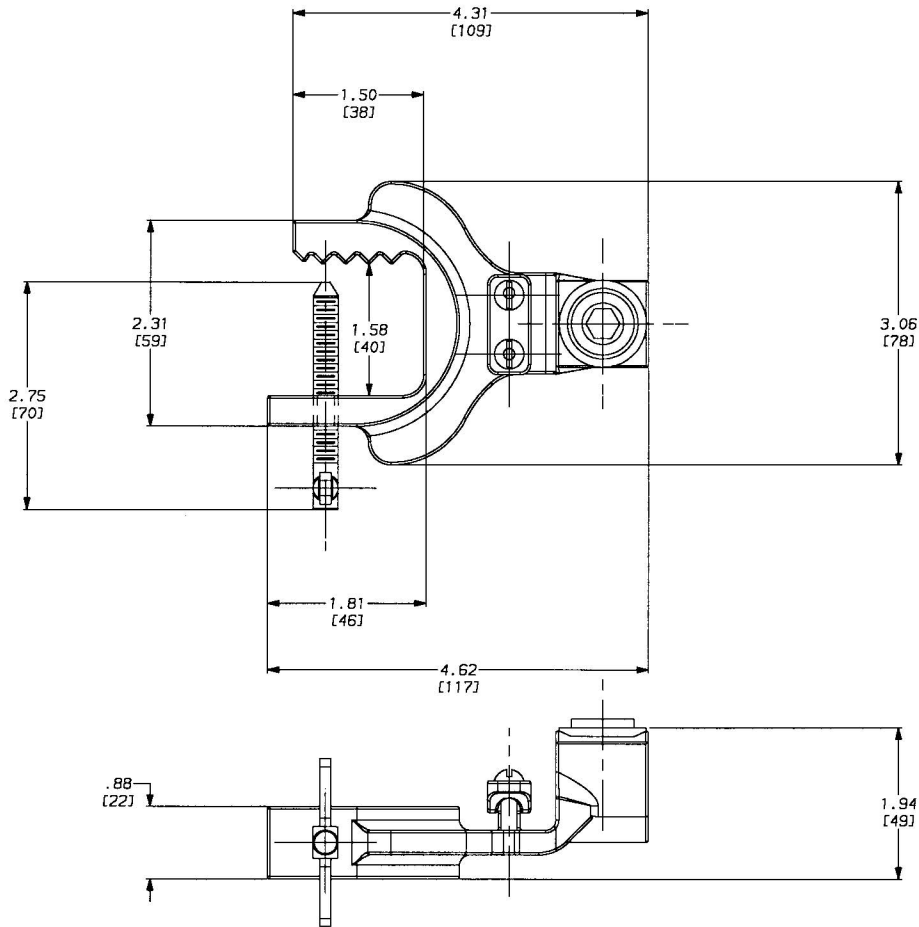
4

3

2

1

REV.	DATE	DESCRIPTION	BY	C.K'D.
0	7-1-98	RELEASE	JRW	



NOTES:

1. MATERIAL: CAST COPPER ALLOY
2. ACCOMMODATES: FLEXIBLE RUBBER SHEATH CABLE RANGING FROM #6 - #2 CONDUCTOR.
3. DIMENSIONS IN BRACKETS [] ARE IN MILLIMETERS ROUNDED OFF TO THE NEAREST MILLIMETER, UNLESS OTHERWISE NOTED AND ARE FOR REFERENCE ONLY.

TANKER STATIC GROUND CLAMP		SCALE
CAT NO: GIE2CG3		NTS
DRAWN: J. WALTERS	6-11-98	CHECKED: .
ISSN APPR: K. NELLO	6-16-98	WFO APPR: .
S. A. APPR: S. GRAY	6-12-98	WTE APPR: B. HARGROVE
CAD FILE: SD211484-01_0		PH REF: N/A
PROJECT: D.O. 54025 /0194263		REV
DRAWING NO.		
SD211484		0
SHEET 1 OF 1		



REV. 051985

4

3

2

1