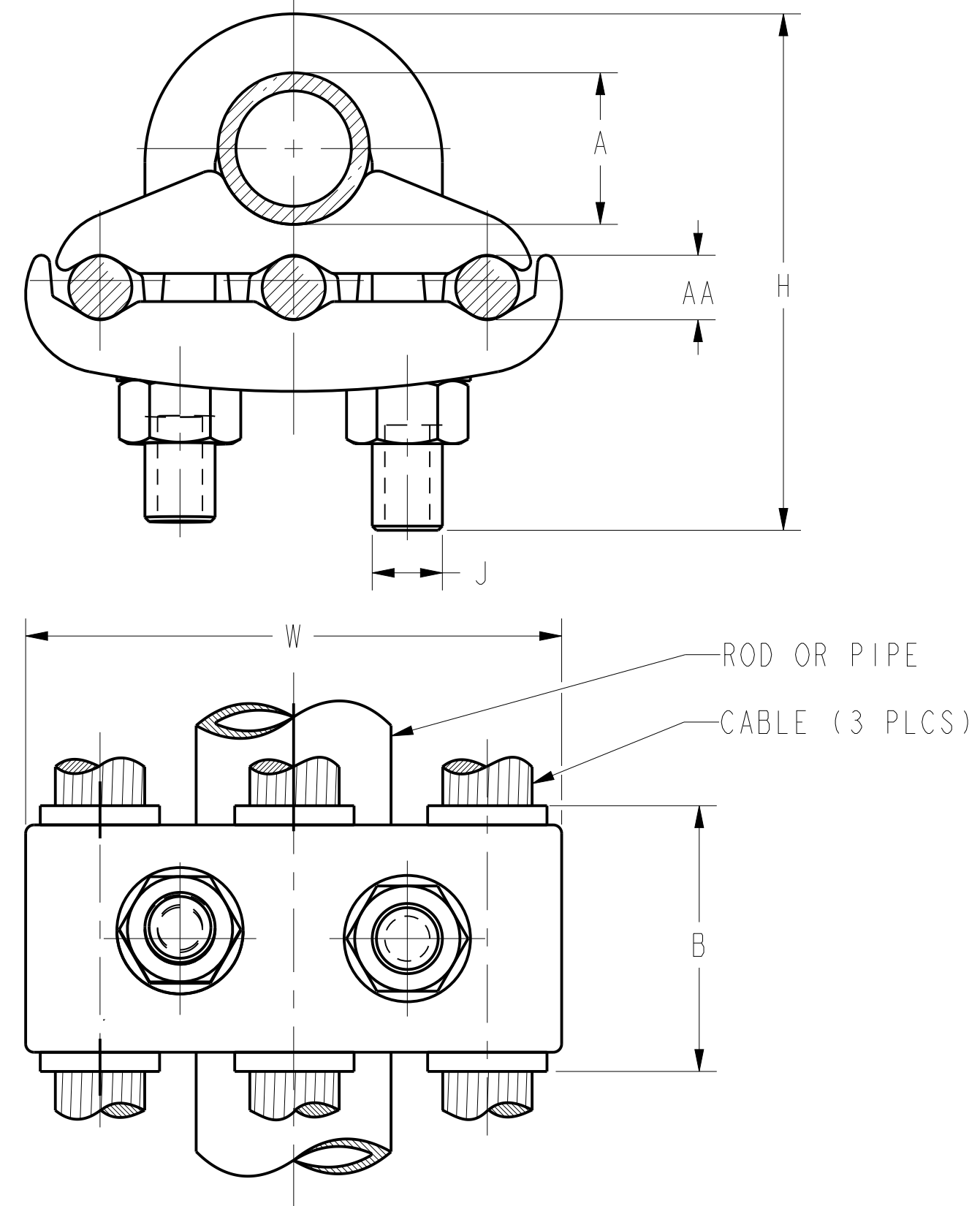


REV	DATE	DESCRIPTION	ECO	BY	C.H.K.
B	12/02/2014 00:00:00 AM	LOGO UPDATE	38554	AS	MB

D	'A'			'AA'						CATALOG NUMBER	APPROXIMATE SHIPPING WEIGHT IN Lbs [kg]	DIMENSIONS INCHES [MILLIMETERS]				TORQUE	
	ROD		I.P.S PIPE	COPPER CABLE RANGE				B	H			J	W	Lb*in	N*m		
	NOMINAL DIA (in)	ACTUAL DIA (in) (mm)	NOMINAL DIA (in)	ACTUAL DIA (in)	(AWG)		METRIC WIRE SIZE										
1/2 1/2 1/2	0.500	12.7	1/4 1/4 1/4	.540 .540 .540	[13.2] [13.2] [13.2]	#8 SOL #4 SOL 2/0 SOL	#4 STR 2/0 STR 250 kcmil	10mm ² SOL 25mm ² STR 70mm ² STR	16mm ² STR 50mm ² STR 120mm ² STR	GK114C GK1126 GK1129	.80 [.36] .96 [.44] 1.4 [.64]	1.38 [35] 1.50 [38] 1.63 [41]	2.5 [64] 2.5 [64] 2.5 [64]	3/8 [10] 3/8 [10] 1/2 [13]	2.44 [62] 2.75 [70] 3.31 [84]	240 240 480	27.0 27.0 54.1
5/8 OR 3/4 5/8 OR 3/4 5/8 OR 3/4 5/8 OR 3/4	.625 OR .750	15.9 OR 19.1	3/8 3/8 3/8 3/8	.675 .675 .675 .675	[16.5] [16.5] [16.5] [16.5]	#8 SOL #4 SOL 2/0 SOL 300 kcmil	#4 STR 2/0 STR 250 kcmil 500 kcmil	10mm ² SOL 25mm ² STR 70mm ² STR 150mm ² STR	16mm ² STR 50mm ² STR 120mm ² STR 240mm ² STR	GK644C GK6426 GK6429 GK6434	.85 [.39] 1.0 [.45] 1.7 [.77] 2.3 [1.04]	1.38 [35] 1.50 [38] 1.63 [41] 1.75 [44]	2.81 [71] 2.81 [71] 1/2 [13] 3.44 [87]	3/8 [10] 3/8 [10] 1/2 [13] 1/2 [13]	2.63 [67] 2.94 [75] 3.50 [89] 4.00 [102]	240 240 480 480	27.0 27.0 54.1 54.1
7/8 OR 1 7/8 OR 1 7/8 OR 1 7/8 OR 1	.875 OR 1.000	22.2 OR 25.4	1/2 OR 3/4 1/2 OR 3/4 1/2 OR 3/4 1/2 OR 3/4	.840 OR 1.050 .840 OR 1.050 .840 OR 1.050 .840 OR 1.050	[20.6]OR[25.7] [20.6]OR[25.7] [20.6]OR[25.7] [20.6]OR[25.7]	#8 SOL #4 SOL 2/0 SOL 300 kcmil	#4 STR 2/0 STR 250 kcmil 500 kcmil	10mm ² SOL 25mm ² STR 70mm ² STR 150mm ² STR	16mm ² STR 50mm ² STR 120mm ² STR 240mm ² STR	GK144C GK1426 GK1429 GK1434	.97 [.44] 1.3 [.59] 1.9 [.90] 2.6 [1.18]	1.38 [35] 1.50 [38] 1.63 [41] 1.75 [44]	2.69 [68] 2.69 [68] 3.69 [94] 3.69 [94]	3/8 [10] 3/8 [10] 1/2 [13] 1/2 [13]	2.94 [75] 3.25 [83] 3.81 [97] 4.1 [110]	240 240 480 480	27.0 27.0 54.1 54.1
1 1/8 OR 1 1/2 1 1/8 OR 1 1/2 1 1/8 OR 1 1/2 1 1/8 OR 1 1/2 1 1/8 OR 1 1/2	1.125 OR 1.250	28.6 OR 31.8	1 1 1 1 1	1.315 1.315 1.315 1.315 1.315	[32.2] [32.2] [32.2] [32.2] [32.2]	#8 SOL #4 SOL 2/0 SOL 300 kcmil 550 kcmil	#4 STR 2/0 STR 250 kcmil 500 kcmil 750 kcmil	10mm ² SOL 25mm ² STR 70mm ² STR 150mm ² STR 300mm ² STR	16mm ² STR 50mm ² STR 120mm ² STR 240mm ² STR 400mm ² STR	GK154C GK1526 GK1529 GK1534 GK1539	1.1 [.50] 1.4 [.64] 2.1 [.95] 2.7 [1.23] 3.4 [1.54]	1.38 [35] 1.50 [38] 1.63 [41] 1.75 [44] 1.75 [44]	2.81 [71] 3.31 [84] 3.75 [95] 4.44 [113] 4.44 [113]	3/8 [10] 3/8 [10] 1/2 [13] 1/2 [13] 1/2 [13]	3.19 [81] 3.50 [84] 4.06 [103] 4.56 [116] 5.13 [130]	240 240 480 480 480	27.0 27.0 54.1 54.1 54.1
1 3/8 OR 1 1/2 1 3/8 OR 1 1/2 1 3/8 OR 1 1/2 1 3/8 OR 1 1/2 1 3/8 OR 1 1/2	1.375 OR 1.500	34.9 OR 38.1	1 1/4 1 1/4 1 1/4 1 1/4 1 1/4	1.660 1.660 1.660 1.660 1.660	[40.7] [40.7] [40.7] [40.7] [40.7]	#8 SOL #4 SOL 2/0 SOL 300 kcmil 550 kcmil	#4 STR 2/0 STR 250 kcmil 500 kcmil 750 kcmil	10mm ² SOL 25mm ² STR 70mm ² STR 150mm ² STR 300mm ² STR	16mm ² STR 50mm ² STR 120mm ² STR 240mm ² STR 400mm ² STR	GK164C GK1626 GK1629 GK1634 GK1639	1.3 [.59] 1.6 [.73] 2.3 [1.04] 3.0 [1.36] 4.2 [1.91]	1.38 [35] 1.50 [38] 1.63 [41] 1.75 [44] 1.88 [48]	3.50 [89] 3.50 [89] 4.19 [106] 4.19 [106] 3.00 [127]	3/8 [10] 3/8 [10] 1/2 [13] 1/2 [13] 5/8 [16]	3.50 [89] 3.81 [97] 4.44 [113] 5.38 [137] 5.56 [141]	240 240 480 480 660	27.0 27.0 54.1 54.1 74.4
1 5/8 OR 1 7/8 1 5/8 OR 1 7/8 1 5/8 OR 1 7/8 1 5/8 OR 1 7/8 1 5/8 OR 1 7/8	1.625 OR 1.875	41.3 OR 47.6	1 1/2 1 1/2 1 1/2 1 1/2 1 1/2	1.900 1.900 1.900 1.900 1.900	[46.6] [46.6] [46.6] [46.6] [46.6]	#8 SOL #4 SOL 2/0 SOL 300 kcmil 550 kcmil	#4 STR 2/0 STR 250 kcmil 500 kcmil 750 kcmil	10mm ² SOL 25mm ² STR 70mm ² STR 150mm ² STR 300mm ² STR	16mm ² STR 50mm ² STR 120mm ² STR 240mm ² STR 400mm ² STR	GK174C GK1726 GK1729 GK1734 GK1739	1.4 [.64] 1.7 [.77] 2.5 [1.13] 3.2 [1.45] 4.6 [2.09]	1.38 [35] 1.50 [38] 1.63 [41] 1.75 [44] 2.13 [54]	4.00 [102] 4.00 [102] 4.63 [117] 4.63 [117] 5.19 [132]	3/8 [10] 3/8 [10] 1/2 [13] 1/2 [13] 3/8 [10]	3.81 [97] 4.13 [105] 4.69 [119] 5.19 [132] 5.94 [151]	240 240 480 480 240	27.0 27.0 54.1 54.1 27.0



- NOTES:
- MATERIAL: CAST COPPER ALLOY DURIUM (U - BOLTS, NUTS AND LOCKWASHERS).
 - UL 467 LISTED, FILE NO. E9999. ACCEPTABLE FOR DIRECT BURIAL.
 - DIMENSIONS IN BRACKETS [] ARE IN MILLIMETERS ROUNDED OFF TO THE NEAREST MILLIMETER, UNLESS OTHERWISE NOTED, AND ARE FOR REFERENCE ONLY.
 - GROUND CONNECTOR FOR JOINING THREE EQUAL CABLES TO ONE ROD OR ONE PIPE.

TO ORDER BURNDY® PRODUCTS CALL
 UNITED STATES
 1-800-346-4175 (LONDONDERRY, NH)
 CANADA:
 1-800-361-6975 (QUEBEC)
 1-800-387-6487 (ALL OTHER PROVINCES)
 FOR PRODUCT INFO: <http://www.burndy.com>

GROUNDING CLAMP	
ITEM NO:	N/A
CAT. NO:	GK-- (TABLE)
DRAWN BY:	WGG 12/10/69
CHECKER:	JPS 12/10/69
DSN APPVL:	MG 12/12/69
MFG APPVL:	--
QA APPVL:	A LLYOD 12/02/94
MKT APPVL:	K WOO 11/11/93
PROD FAM:	--
PROJECT #:	--
DOCUMENT TYPE:	Sales
REL LEVEL:	Released

BURNDY

SCALE: 1:1	DRAWING NO	REV
	SC069674	B
	SHEET 1 OF 2	

REV: PE0200