

**GROUND CLAMPS**  
**Heavy Duty Direct Burial**  
**with Lay-in Lugs**  
**GLC SERIES**



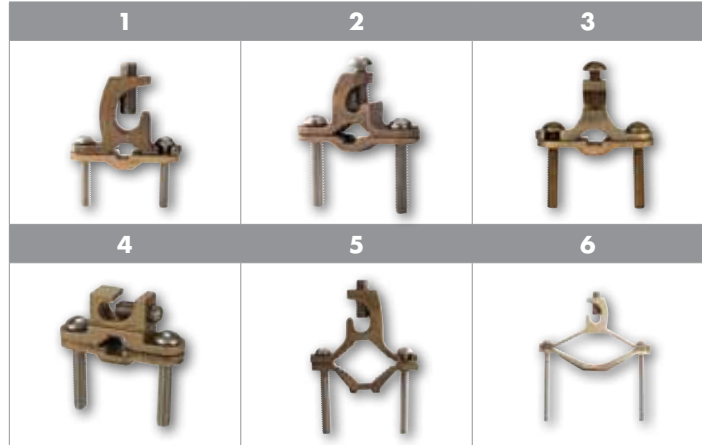
**HEAVY DUTY DIRECT BURIAL W/LAY-IN**



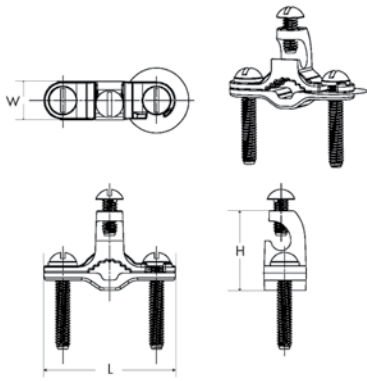
- The ultimate ground clamp for large ground wires.
- This incredible ground clamp can handle just about any size ground wire and just about any application.
- Lay-in feature provides for the ultimate in flexibility.
- Convenient and pre-assembled screws are 304 stainless steel.
- Available with silicon bronze screws by adding suffix -SB.

**APPLICATION:**

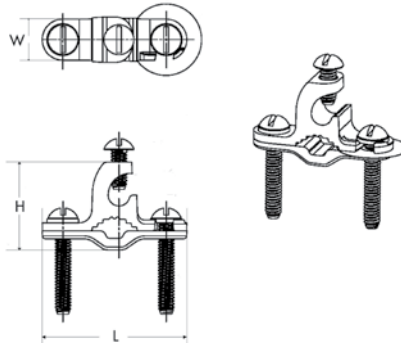
- UL Listed for direct burial in earth and concrete, it can be used with rebar, copper water pipe, copper tubing and ground rods up to 1 inch in diameter.
- cULus Listed 467 Grounding and Bonding.



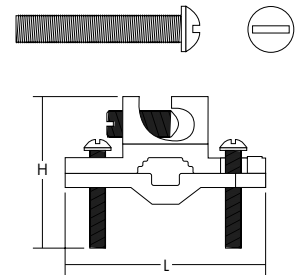
**GLC-12 RDB**



**GLC-12 DB**



**GLC-140 DB**



All dimensional data is listed in inches.

| CAT. NO.          | FIG. NO. | PIPE SIZE (IPS) | GROUND WIRE RANGE | REBAR SIZE | GROUND ROD SIZE | LENGTH (L) | WIDTH (W) | HEIGHT (H) | STD. CTN. QTY. |
|-------------------|----------|-----------------|-------------------|------------|-----------------|------------|-----------|------------|----------------|
| <b>GLC-140DB</b>  | 1        | 1/2-1           | 8 STR-4/0 STR     | 3/8-1      | 1/2-1           | 2.551      | 0.784     | 2.132      | 10             |
| <b>GLC-12 DB</b>  | 2        | 1/2-1           | #10-2 STR         | 3/8-1      | 1/2-1           | 2.281      | 0.714     | 1.382      | 25             |
| <b>GLC-12 RDB</b> | 3        | 1/2-1           | #10-2 STR         | 3/8-1      | 1/2-1           | 2.283      | 0.670     | 1.385      | 25             |
| <b>GLC-12 HDB</b> | 4        | 1/2-1           | #10-2 STR         | 3/8-1      | 1/2-1           | 2.362      | 0.708     | 1.200      | 25             |
| <b>GLC-240DB</b>  | 5        | 1 1/4-2         | #8-4/0 STR        | -          | -               | 3.319      | 0.693     | 3.190      | 6              |
| <b>GLC-440DB</b>  | 6        | 2 1/2-4         | #8-4/0 STR        | -          | -               | 5.688      | 0.823     | 3.743      | 3              |