

BURNDY Catalog Number
UPC Number
Description
Status

GP6429
 7818102605555
 2/0SOL-250, 3/8 IPS 2 CO
 Active

Web Use
 BURNDY Product Line

Dimensional

Width (in)	2.12
Height (in)	2.88
Size (Hex) or Size (Bolt)	3/8
Size (Hex) or Size (Bolt) - in	0.38
Width (Fraction)	2-1/8
Height (Fraction) (in)	2-7/8

General

Product Description
 Mechanical Grounding Connector,
 2 Cables to Rod or Pipe, 2/0 AWG
 (Sol) -250 kcmil, 3/8" Pipe,
 5/8" -3/4" Rod, 3/8" Stud

Conductor(s)

Copper Tube Size (SCH40) - Range	5/8-3/4
Rod Size (Range)	5/8 in-3/4 in
Copper Solid Size (Range)	2/0-4/0
Copper Stranded (Range)	1/0-250

Physical

Installation Torque	240
Type of Plating	Unplated
Plated (Yes or No)	N
Product Material	Copper Alloy

Approvals / Certifications

UL Listed	Y
CSA Certified	N
ROHS Compatible	Exempt
UL Recognized	N
CULUS	N
Industry Standards	UL467
Rated for Direct Burial	Y

Documentation

For further technical assistance, please contact us

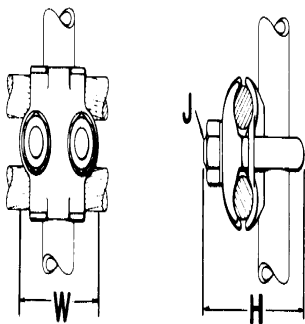
BURNDY LLC - USA

47 East Industrial Park Drive
 Manchester NH 03109

BURNDY Technical Services

47 East Industrial Park Drive
 Manchester NH 03109

Hours: 8:00 AM - 5:00 PM
 Monday - Friday
 Phone: 800-346-4175



BURNDY Catalog Number
UPC Number
Description
Status

GP6429
 7818102605555
 2/0SOL-250, 3/8 IPS 2 CO
 Active

Web Use
 BURNDY Product Line

Dimensional

Width (in) 2.12
 Height (in) 2.88
 Size (Hex) or Size (Bolt) 3/8
 Size (Hex) or Size (Bolt) - in 0.38
 Width (Fraction) 2-1/8
 Height (Fraction) (in) 2-7/8

General

Product Description Mechanical Grounding Connector,
 2 Cables to Rod or Pipe, 2/0 AWG
 (Sol) -250 kcmil, 3/8" Pipe,
 5/8" -3/4" Rod, 3/8" Stud

Conductor(s)

Copper Tube Size (SCH40) - Range 5/8-3/4
 Rod Size (Range) 5/8 in-3/4 in
 Copper Solid Size (Range) 2/0-4/0
 Copper Stranded (Range) 1/0-250

Physical

Installation Torque 240
 Type of Plating Unplated
 Plated (Yes or No) N
 Product Material Copper Alloy

Approvals / Certifications

UL Listed Y
 CSA Certified N
 ROHS Compatible Exempt
 UL Recognized N
 CULUS N
 Industry Standards UL467
 Rated for Direct Burial Y

Documentation

For further technical assistance, please contact us

BURNDY LLC - USA

47 East Industrial Park Drive
 Manchester NH 03109

BURNDY Technical Services

47 East Industrial Park Drive
 Manchester NH 03109

Hours: 8:00 AM - 5:00 PM
 Monday - Friday
 Phone: 800-346-4175