

# Condulet® Conduit Outlet Boxes With Covers

## GUR Series

Cl. I, Div. 1 & 2, Groups C, D  
 Cl. II, Div. 1, Groups E, F, G  
 Cl. II, Div. 2, Groups F, G  
 Cl. III  
 NEMA 4

Explosionproof  
 Dust-Ignitionproof  
 Raintight  
 Wet Locations

**3F**

### Applications:

GUR conduit outlet boxes are installed within hazardous areas:

- To protect conductors in threaded rigid conduit
- To act as pull and splice boxes
- To connect lengths of conduit
- To provide access to conductors for maintenance and future system changes
- To change conduit direction
- Where space is limited, such as underneath gasoline pumps

### Features:

GUR outlet boxes feature:

- Neoprene O-ring standard in cover to meet NEMA 4/UL Type 4 requirements
- Internal green ground screw
- Five standard hubs with three pipe plugs included
- Threaded cover opening
- Recesses in cover to assist in cover tightening and removal
- Smooth, integral hub bushing to protect conductor insulation when pulling
- Compact design for confined spaces
- UL and cUL listing
- Optional all-aluminum construction

### Certifications and Compliances:

- NEC/CEC
  - Class I, Division 1 and 2, Groups C and D
  - Class II, Division 1, Groups E, F and G
  - Class III
  - Zone 1 and 2
- UL Standard 1203
- cUL to CSA Standard C22.2 No. 30
- NEMA 4

### Standard Materials:

- Bodies – *Feraloy*® iron alloy
- Covers – copper-free aluminum

### Standard Finishes:

- *Feraloy* iron alloy – electrogalvanized with aluminum acrylic paint
- Aluminum – natural

### Options:

#### Description

Bodies – copper-free aluminum

Suffix  
**SA**

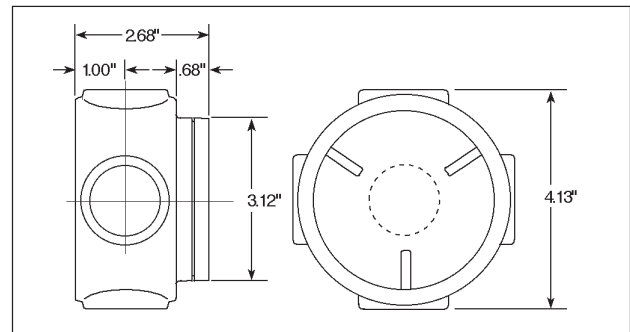


### Ordering Information:

Hub Size	Cat. #
1/2"	GUR1
3/4"	GUR2
1"	GUR3

### Dimensions

In Inches:



# Condulet® Conduit Outlet Boxes With Covers

## GUR Series

Cl. I, Div. 1 & 2, Groups C, D  
 Cl. II, Div. 1, Groups E, F, G  
 Cl. II, Div. 2, Groups F, G  
 Cl. III  
 NEMA 4

Explosionproof  
 Dust-Ignitionproof  
 Raintight  
 Wet Locations

**3F**

### Applications:

GUR conduit outlet boxes are installed within hazardous areas:

- To protect conductors in threaded rigid conduit
- To act as pull and splice boxes
- To connect lengths of conduit
- To provide access to conductors for maintenance and future system changes
- To change conduit direction
- Where space is limited, such as underneath gasoline pumps

### Features:

GUR outlet boxes feature:

- Neoprene O-ring standard in cover to meet NEMA 4/UL Type 4 requirements
- Internal green ground screw
- Five standard hubs with three pipe plugs included
- Threaded cover opening
- Recesses in cover to assist in cover tightening and removal
- Smooth, integral hub bushing to protect conductor insulation when pulling
- Compact design for confined spaces
- UL and cUL listing
- Optional all-aluminum construction

### Certifications and Compliances:

- NEC/CEC
  - Class I, Division 1 and 2, Groups C and D
  - Class II, Division 1, Groups E, F and G
  - Class III
  - Zone 1 and 2
- UL Standard 1203
- cUL to CSA Standard C22.2 No. 30
- NEMA 4

### Standard Materials:

- Bodies – *Feraloy*® iron alloy
- Covers – copper-free aluminum

### Standard Finishes:

- *Feraloy* iron alloy – electrogalvanized with aluminum acrylic paint
- Aluminum – natural

### Options:

#### Description

Bodies – copper-free aluminum

#### Suffix

SA



### Ordering Information:

Hub Size	Cat. #
1/2"	GUR1
3/4"	GUR2
1"	GUR3

### Dimensions

In Inches:

