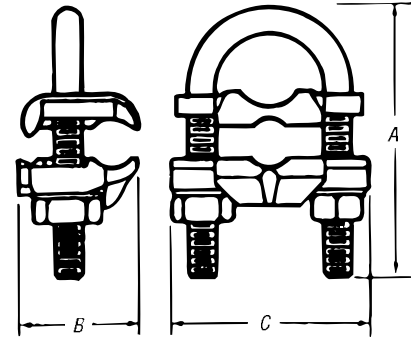


## Ground Clamps

Excellent for connecting multiple electrodes with a single cable, such as in substation grounding.

### Type GUW — U-Bolt Ground Clamps

- For connecting copper or copper-clad steel grounding conductor to ground rod or pipe
- Specially designed spacer provides proper alignment between cable and electrode and affords more positive contact area
- All components cast or forged from copper alloy
- UL® 467 Listed for direct burial



CAT. NO.*	CONDUCTOR RANGE (CU)		NOMINAL ROD SIZE (IN)		IPS PIPE SIZE		DIMENSIONS (IN.)		
	MAX.	MIN.	MAX.	MIN.	MAX.	MIN.	A	B	C
GUV584	4	8	3/4	5/8	3/8	—	2 1/16	1 1/16	2 1/4
GUV5821	2/0	4	3/4	5/8	3/8	—	2 1/16	1 1/16	2 1/4
GUV5825	250	2/0	3/4	5/8	3/8	—	2 1/16	1 1/16	2 1/4
GUV784	4	8	1	7/8	3/4	1/2	2 3/4	1 1/16	2 5/8
GUV7821	2/0	4	1	7/8	3/4	1/2	2 3/4	1 1/16	2 5/8
GUV7825	250	2/0	1	7/8	3/4	1/2	2 3/4	1 1/16	2 5/8
GUV1184	4	8	1 1/4	1 1/8	1	—	3 1/16	1 1/16	2 3/4
GUV11821	2/0	4	1 1/4	1 1/8	1	—	3 1/16	1 1/16	2 3/4
GUV1384	4	8	1 1/2	1 1/8	1 1/4	—	3 3/16	1 1/16	2 5/16
GUV13821	2/0	4	1 1/2	1 1/8	1 1/4	—	3 3/16	1 1/16	2 5/16
GUV13825	250	2/0	1 1/2	1 1/8	1 1/4	—	3 3/16	1 1/16	2 5/16
GUV1584	4	8	1 1/8	1 1/8	1 1/2	—	3 5/16	1 1/16	3 1/8
GUV15821	2/0	4	1 1/8	1 1/8	1 1/2	—	3 5/16	1 1/16	3 1/8
GUV15825	250	2/0	1 1/8	1 1/8	1 1/2	—	3 5/16	1 1/16	3 1/8
GUV204	4	8	2 3/8	2	2	—	4 1/16	1 1/16	3 11/16
GUV2021	2/0	4	2 3/8	2	2	—	4 1/16	1 1/16	3 11/16
GUV2025	250	2/0	2 3/8	2	2	—	4 1/16	1 1/16	3 11/16
GUV21221	2/0	4	2 1/2	2 1/2	2 1/2	—	4 3/16	1 1/16	4 3/8
GUV21225	250	2/0	2 1/2	2 1/2	2 1/2	—	4 3/16	1 1/16	4 3/8
GUV3021	2/0	4	3 1/2	3	3	—	5 1/16	1 1/16	4 13/16
GUV3025	250	2/0	3 1/2	3	3	—	5 1/16	1 1/16	4 13/16
GUV31221	2/0	4	4	3 1/2	3 1/2	—	6 1/16	1 1/16	5 1/2
GUV4021	2/0	4	4 1/2	4	4	—	6 3/16	1 1/16	5 11/16
GUV4025	250	2/0	4 1/2	4	4	—	6 3/16	1 1/16	5 11/16

\* For tin plating, add suffix P to Cat. No. Contact factory for price and availability.  
UL® does not list tin-plated bronze grounding devices.

## Ground Clamps

### Water Pipe Ground Clamps



CAT. NO.	GROUND WIRE SIZE	WATER PIPE SIZE
2-TB	#6, #4, #2	½", ¾", 1" or rebar 4-10
3-TB	#6, #4, #2	1¼", 1½" or 2"
4	#6, #4, #2	2½", 3" or 3½"
5-TB	#6, #4, #2	4", 4½" or 5"
6	#6, #4, #2	6"

Malleable iron. #6 – #2 AWG ground wire.



### Water Pipe Ground Clamps



CAT. NO.	GROUND WIRE SIZE	WATER PIPE SIZE	CAT. NO.	GROUND WIRE SIZE	WATER PIPE SIZE
3902	#4-4/0 AWG	½"-1"	3902BU*	#4-4/0 AWG	½"-1"
3903	#4-4/0 AWG	1¼"-2"	3903BU*	#4-4/0 AWG	1¼"-2"
3904	#4-4/0 AWG	2½"-3½"	3904BU*	#4-4/0 AWG	2½"-3½"
3905-TB	#4-4/0 AWG	4"-5"	3905BU*	#4-4/0 AWG	4"-5"
3906-TB	#4-4/0 AWG	6"	3906BU*	#4-4/0 AWG	6"
3907	#4-4/0 AWG	8"	3907BU*	#4-4/0 AWG	8"
3908	#4-4/0 AWG	10"	3908BU*	#4-4/0 AWG	10"
3909-TB	#4-4/0 AWG	12"	3909BU*	#4-4/0 AWG	12"

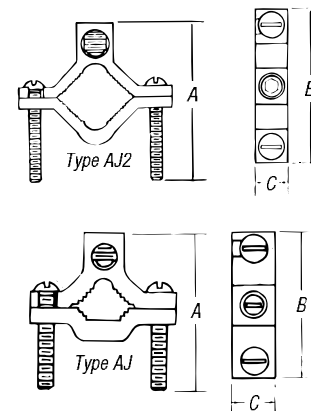
\* UL Listed for direct burial



For connecting grounding conductor to either steel or copper pipe, rod or tubing.

### Aluminum Water Pipe Clamp

- For use with copper or aluminum conductor
- Tin plated for corrosion resistance



CAT. NO.	WATER PIPE SIZE	CONDUCTOR RANGE		DIMENSIONS (IN.)			STEEL CLAMP SCREW	ALUMINUM WIRE SCREW
		MAX.	MIN.	A	B	C		
AJ	½-1	1/0 Str.	#14 Sol.	2½	2¼	¾	¼-20	¼-20 slot
AJ-2	1½-2	250 kcmil	#6	3¾	3¾	7/8	5/16-18	1¼-20 socket
AJ-2124	2½-4	250 kcmil	#6	5¾	6¾	1	5/8-16	1¼-20 socket

UL Listed for both copper and aluminum conductors to steel pipe and copper water tubing

## Ground Clamps

Economically priced clamps.

### Die-Cast Clamps

- Made of die-cast zinc alloy with zinc-plated screws
- Model BJA for use with armored cable



CAT. NO.	WATER PIPE SIZE	CONDUCTOR RANGE	
		MAX.	MIN.
BJ-1	½"–1"	#2 str.	#10 sol.
BJA*	½"–1"	#6 AWG	#8 AWG

\* Not UL Listed

Flexible copper strap makes alignment easy.

### Cast Bronze Clamps with Copper Strap

- For grounding rigid conduit systems
- Same features as "JP" clamp plus flexible copper strap
- Strap helps protect conduit system from water system vibrations
- Furnished with zinc-plated screws



CAT. NO.	CONDUIT SIZE	WATER PIPE SIZE	CONDUCTOR RANGE	
			MAX.	MIN.
JPS-12	½"	½"–1"	#6 sol.	#10 sol.
JPS-34	¾"	½"–1"	2/0 str.	#10 sol.
JPS-1	1"	½"–1"	3/0 str.	#10 sol.

Add suffix C to Cat. No. to specify plating.

## Ground Clamps

Connects copper ground wire to water pipe or copper tubing.

### Cast Bronze Ground Clamps

- High-strength, high-conductivity copper alloy (over 80% copper)
- UL® 467 Listed for direct burial



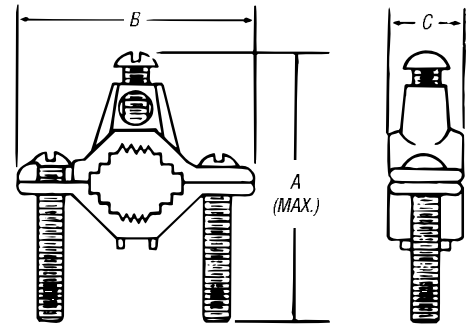
CAT. NO.	WATER PIPE SIZE	CONDUCTOR RANGE
JD	½"-1"	#2 str.-#10 str.
J2D	1¼"-2"	#2 str.-#10 str.



For connecting grounding conductor to water pipe or copper tube.

### Type J — Cast Bronze Ground Clamps

- Cast of high-strength, highly conductive copper alloy
- Screws plated for corrosion resistance
- UL® Listed

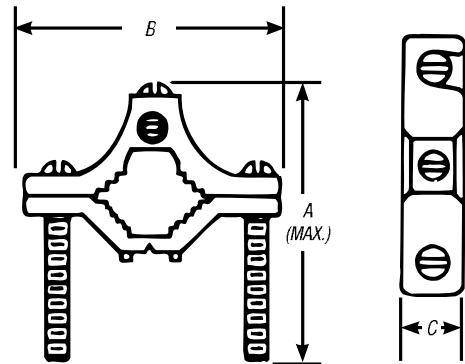


CAT. NO.	WATER PIPE SIZE	CONDUCTOR RANGE		DIMENSIONS (IN.)		
		MAX.	MIN.	A (MAX.)	B	C
J	½"-1"	#2 str.	#10 sol.	2¼	2 <sup>1</sup> / <sub>32</sub>	2 <sup>3</sup> / <sub>32</sub>
J2BB	1¼"-2"	#2 str.	#10 sol.	3¼	3½	1 <sup>3</sup> / <sub>16</sub>
J2124	2½"-4"	#4 str.	#10 sol.	6	6 <sup>5</sup> / <sub>16</sub>	1
J6	4¼"-6"	#4 str.	#10 sol.	7¼	8 <sup>5</sup> / <sub>16</sub>	1

## Ground Clamps

Similar to aluminum water pipe clamp but lighter in construction.

### Budget Price Cast Bronze Clamp



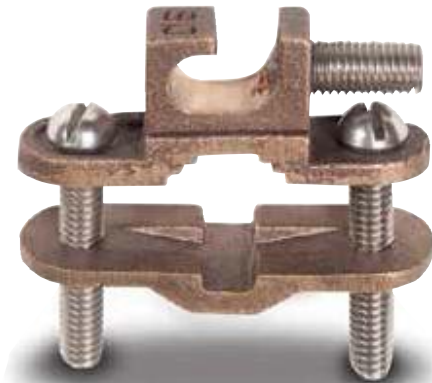
CAT. NO.	WATER PIPE SIZE	CONDUCTOR RANGE		DIMENSIONS (IN.)		
		MAX.	MIN.	A	B	C
JJR	½"–1"	#4 Str.	#10 Sol.	2 <sup>1</sup> / <sub>32</sub>	2 <sup>9</sup> / <sub>32</sub>	1 <sup>1</sup> / <sub>32</sub>

Add suffix C to Cat. No. to specify plating.

Lay-in feature reduces installation time for difficult bends or continuous loops of ground wire.

### Type JDLI — Direct-Burial Ground Clamp

- UL® Listed for direct burial in earth/concrete
- UL® Listed for connection to ground rod, pipe or rebar up to 1"
- Constructed from bronze alloy and high performance stainless steel bolts
- Designed for easy installation of difficult bends or continuous loops



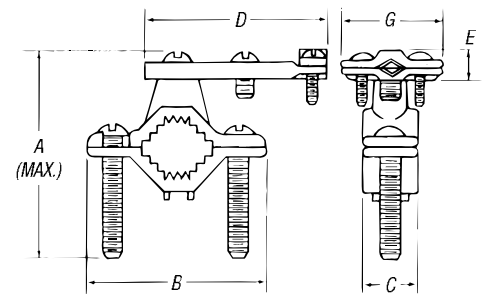
CAT. NO.	PIPE SIZE	REBAR SIZE	GROUND ROD SIZE	CONDUCTOR RANGE	MECH. CONN./SPLICE (UL LISTED)
JDLI	½"–1"	¾"–1"	¼"–1"	#10 Sol.–#2 Str.	(2) #8 Sol.

## Ground Clamps

For connecting armored cable to water pipe.

### Cast Bronze Clamp

- Clamping portion similar to standard “J” clamp
- Special pressure bar grips armor or outer cable insulation to reduce chance of grounding conductor being pulled out
- Furnished with zinc-plated screws



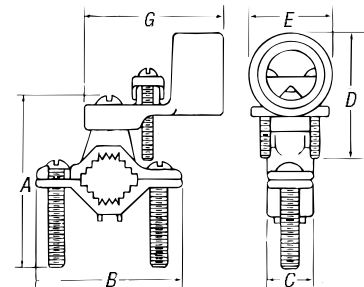
CAT. NO.	WATER PIPE SIZE	CONDUCTOR RANGE		DIMENSIONS (IN.)					
		MAX.	MIN.	A	B	C	D	E	G
JA	½"–1"	#6 sol.	#10 sol.	2¼	2½	2⅜	2⅜	1⅜	1⅜
JA-2	1¼"–2"	#6 sol.	#10 sol.	3¼	3½	1⅜	2⅜	1⅜	1⅜
JA-2124	2½"–4"	#6 sol.	#10 sol.	6	6⅝	1	2⅜	1⅜	1⅜

Add suffix C to Cat. No. to specify plating.

For grounding rigid conduit systems.

### Cast Bronze Clamps for Conduit

- Continuity from rigid conduit system to ground provided by cast bronze threaded conduit hub
- Hub swings 360° for easy alignment
- Heavy brass washer protects clamped grounding conductor
- Furnished with zinc-plated screws
- Cast bronze pipe clamping portion identical to that used in “JA” clamp



CAT. NO.	CONDUIT SIZE	WATER PIPE SIZE	CONDUCTOR RANGE		DIMENSIONS (IN.)					
			MAX.	MIN.	A	B	C	D	E	G
JP-12	½	½"–1"	#6 sol.	#10 sol.	2¼	2½	2⅜	1⅝	1	2½
JP-212	½	1¼"–2"	#6 sol.	#10 sol.	3¼	3½	1⅜	1⅝	1	2½
JP-212412	½	2½"–4"	#6 sol.	#10 sol.	6	6⅝	1	1⅝	1	2½
JP-34	¾	½"–1"	#2/0 str.	#10 sol.	2¼	2½	2⅜	2⅝	1¼	2⅝
JP-234	¾	1¼"–2"	#2/0 str.	#10 sol.	3¼	3½	1⅜	2⅝	1¼	2⅝
JP-212434	¾	2½"–4"	#2/0 str.	#10 sol.	6	6⅝	1	2⅝	1¼	2⅝
JP-1	1	½"–1"	#3/0 str.	#10 sol.	2¼	2½	2⅜	2⅝	1½	2⅝
JP-21	1	1¼"–2"	#3/0 str.	#10 sol.	3¼	3½	1⅜	2⅝	1½	2⅝
JP-21241	1	2½"–4"	#3/0 str.	#10 sol.	6	6⅝	1	2⅝	1½	2⅝

Add suffix C to Cat. No. to specify plating.

## Ground Clamps

Hub swings 360° for ease of alignment.

### Type JPT — Cast Bronze Clamps for Conduit

- Pipe clamping portion identical to “JA” clamp
- Pressure-bar type conduit hub adjusts to fit ½" or ¾" EMT or ½" rigid conduit
- Brass washer provides positive contact with grounding conductor
- Furnished with zinc-plated screws



CAT. NO.	CONDUIT SIZE	PIPE SIZE	CONDUCTOR RANGE	
			MAX.	MIN.
JPT		½" to 1"		
JPT2	½" or ¾" EMT	1¼" to 2"	#6 Sol.	#10 Sol.
JPT4	½" Rigid	2½" to 4"		

## Conduit Hubs

CAT. NO.	GROUND WIRE SIZE AWG	CONDUIT SIZE
3930	#8 to #2	½" Conduit
3940	#8 to #2	¾" Conduit
3950	#8 to 3/0	1" Conduit
3951	#8 to 4/0	1¼" Conduit

Material: Malleable iron



Provides positive connection between rigid conduit and water system.

### Type CH — Bronze Conduit Hubs

- Used in conjunction with “J” clamp
- Rugged cast-bronze threaded hub



CAT. NO.	CONDUIT SIZE (IN.)	CONDUCTOR RANGE	
		MAX.	MIN.
CH12	½	#6 Sol.	#10 Sol.
CH34	¾	2/0 Str.	#10 Sol.
CH1BB	1	3/0 Str.	#10 Sol.

## Ground Clamps

### Ground Clamp



CAT. NO.	MATERIAL	WATER PIPE, COPPER TUBING SIZE	GRD. ROD SIZE
3826†	M.I.	½", ¾"	½"-1"
3846†	Bronze	½", ¾"	½"-1"
3849•	Brass	½"-1" O.D.	
3840-TB†	M.I.	½", ¾" or 1"	

† For unarmored copper wire #6, #4.

• For copper and aluminum conductors; for 14 thru 2 cu. unarmored copper wire — corrosive and outdoor use. UL® approved for direct burial.

\* #6 thru #4 AWG. Not CSA Certified.



3826

3849



3840-TB

### Ground Clamps for K&L Grade Copper Tubing Only



CAT. NO.	GROUND WIRE RANGE	WATER PIPE & GROUND ROD SIZE/ DESC.
3844*	#8-#4	½"-1"
3888†	#8-#4	½"-1" also rebar 4-10
961	#8	¾"-1"
962**	#8	¾"-2"
963**	#8	¾"-3"

CAT. NO.	DESCRIPTION/CABLE SIZE
31215	Strain-Relief Grounding Lug, #6-#2
31216	Grounding Clamp, 1" Hook-Type, #6-#2
31253	Grounding Clamp, 1-½" Hook-Type, #6-#2
31217	Ground Clamp, 1" Straight-Type, #6-#2
31224	Grounding Clamp, 1-½" Straight-Type, #6-#2
31230	Wing Screw only

\* With steel screws.

\*\* With bronze screws, not CSA Certified — or UL® Listed.

† UL® approved for direct burial. Silicon bronze screws.



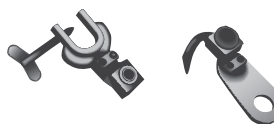
3844

For armored and unarmored wire



961

For radio, motor frame and equipment grounding



31215

Disconnect static ground clamp and lug, straight-type (cable not supplied), UL not applicable

### Cable Tray Ground Clamp

**Material:** Malleable iron

**Standard Finish:** Zinc plated



CAT. NO.	DESCRIPTION
10105*	For Single Conductors #4 sol. to 2/0 str.
10109**	For Single Conductors 2/0 sol. to 4/0 str.

\* UL® Listed #4 to 2/0 AWG copper.

\*\* UL® Listed 2/0 to 4/0 AWG copper/aluminum.

CSA File No. 2884.





## Ground Clamps

For aluminum and steel cable trays with regular or reinforced flanges.

### Tray Clamps

- Serrations and biting teeth on clamping saddle provide a high-quality bond between conduit and clamp
- Can be clamped to any position in a 90° arc
- Hardened steel screws bite into tray and provide positive bond
- Malleable iron hub and steel U-bolt accept conduit from any angle



CAT. NO.	CLAMP TYPE	CONDUIT SIZE
6209	Swivel	½"–¾"
6210	Straight	½"–¾"
6211	Swivel	1"–1¼"
6212	Straight	1"–1¼"
6214	Swivel	1½"–2"
6216	Swivel	2½"–3"
6218	Swivel	3½"–4"

Efficiently grounds trailer frames, cable trays, CATV and telephone pedestals.

### Beam Grounding Clamp

- Connects #6 to #14 solid copper conductor to metal frames where continuity of grounding can be assured
- 7/16" silicon bronze hex-head bolt installs with cam-wrench, socket or crescent wrench
- Tin-plated square-head bolt enables installation with pliers when tighter ground connection is needed
- Ground wire hole access from four directions minimizes need to bend ground wire
- Designed so ground wire may be installed on clamp prior to mounting clamp on metal frame, reducing installation time
- Beam and ground wire connection can be tightened separately with disconnecting integrity of ground circuit
- High-strength copper alloy (91% nom.) provides greater conductivity, durability and corrosion resistance without the need for plating
- High-strength anchoring bolt penetrates paint or metal oxide



CAT. NO.	DESCRIPTION	CONDUCTOR SIZE (AWG)
TGC	Square-Head Tin-Plated Steel Bolt	#6 to #14 sol.

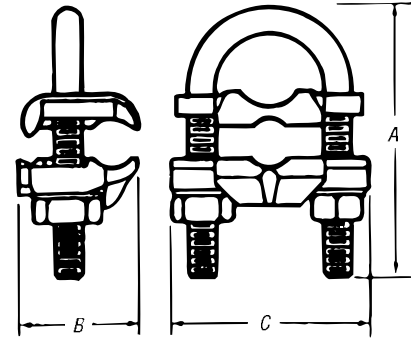
Listed to UL® 467

## Ground Clamps

Excellent for connecting multiple electrodes with a single cable, such as in substation grounding.

### Type GUW — U-Bolt Ground Clamps

- For connecting copper or copper-clad steel grounding conductor to ground rod or pipe
- Specially designed spacer provides proper alignment between cable and electrode and affords more positive contact area
- All components cast or forged from copper alloy
- UL® 467 Listed for direct burial



CAT. NO.*	CONDUCTOR RANGE (CU)		NOMINAL ROD SIZE (IN)		IPS PIPE SIZE		DIMENSIONS (IN.)		
	MAX.	MIN.	MAX.	MIN.	MAX.	MIN.	A	B	C
GUV584	4	8	3/4	5/8	3/8	—	2 1/16	1 1/16	2 1/4
GUV5821	2/0	4	3/4	5/8	3/8	—	2 1/16	1 1/16	2 1/4
GUV5825	250	2/0	3/4	5/8	3/8	—	2 1/16	1 1/16	2 1/4
GUV784	4	8	1	7/8	3/4	1/2	2 3/4	1 1/16	2 5/8
GUV7821	2/0	4	1	7/8	3/4	1/2	2 3/4	1 1/16	2 5/8
GUV7825	250	2/0	1	7/8	3/4	1/2	2 3/4	1 1/16	2 5/8
GUV1184	4	8	1 1/4	1 1/8	1	—	3 1/16	1 1/16	2 3/4
GUV11821	2/0	4	1 1/4	1 1/8	1	—	3 1/16	1 1/16	2 3/4
GUV1384	4	8	1 1/2	1 1/8	1 1/4	—	3 3/16	1 1/16	2 5/16
GUV13821	2/0	4	1 1/2	1 1/8	1 1/4	—	3 3/16	1 1/16	2 5/16
GUV13825	250	2/0	1 1/2	1 1/8	1 1/4	—	3 3/16	1 1/16	2 5/16
GUV1584	4	8	1 1/8	1 1/8	1 1/2	—	3 5/16	1 1/16	3 1/8
GUV15821	2/0	4	1 1/8	1 1/8	1 1/2	—	3 5/16	1 1/16	3 1/8
GUV15825	250	2/0	1 1/8	1 1/8	1 1/2	—	3 5/16	1 1/16	3 1/8
GUV204	4	8	2 3/8	2	2	—	4 1/16	1 1/16	3 11/16
GUV2021	2/0	4	2 3/8	2	2	—	4 1/16	1 1/16	3 11/16
GUV2025	250	2/0	2 3/8	2	2	—	4 1/16	1 1/16	3 11/16
GUV21221	2/0	4	2 1/2	2 1/2	2 1/2	—	4 3/16	1 1/16	4 3/8
GUV21225	250	2/0	2 1/2	2 1/2	2 1/2	—	4 3/16	1 1/16	4 3/8
GUV3021	2/0	4	3 1/2	3	3	—	5 1/16	1 1/16	4 13/16
GUV3025	250	2/0	3 1/2	3	3	—	5 1/16	1 1/16	4 13/16
GUV31221	2/0	4	4	3 1/2	3 1/2	—	6 1/16	1 1/16	5 1/2
GUV4021	2/0	4	4 1/2	4	4	—	6 3/16	1 1/16	5 11/16
GUV4025	250	2/0	4 1/2	4	4	—	6 3/16	1 1/16	5 11/16

\* For tin plating, add suffix P to Cat. No. Contact factory for price and availability.  
UL® does not list tin-plated bronze grounding devices.

## Ground Clamps

### Water Pipe Ground Clamps



CAT. NO.	GROUND WIRE SIZE	WATER PIPE SIZE
2-TB	#6, #4, #2	½", ¾", 1" or rebar 4-10
3-TB	#6, #4, #2	1¼", 1½" or 2"
4	#6, #4, #2	2½", 3" or 3½"
5-TB	#6, #4, #2	4", 4½" or 5"
6	#6, #4, #2	6"

Malleable iron. #6 – #2 AWG ground wire.



### Water Pipe Ground Clamps



CAT. NO.	GROUND WIRE SIZE	WATER PIPE SIZE	CAT. NO.	GROUND WIRE SIZE	WATER PIPE SIZE
3902	#4-4/0 AWG	½"-1"	3902BU*	#4-4/0 AWG	½"-1"
3903	#4-4/0 AWG	1¼"-2"	3903BU*	#4-4/0 AWG	1¼"-2"
3904	#4-4/0 AWG	2½"-3½"	3904BU*	#4-4/0 AWG	2½"-3½"
3905-TB	#4-4/0 AWG	4"-5"	3905BU*	#4-4/0 AWG	4"-5"
3906-TB	#4-4/0 AWG	6"	3906BU*	#4-4/0 AWG	6"
3907	#4-4/0 AWG	8"	3907BU*	#4-4/0 AWG	8"
3908	#4-4/0 AWG	10"	3908BU*	#4-4/0 AWG	10"
3909-TB	#4-4/0 AWG	12"	3909BU*	#4-4/0 AWG	12"

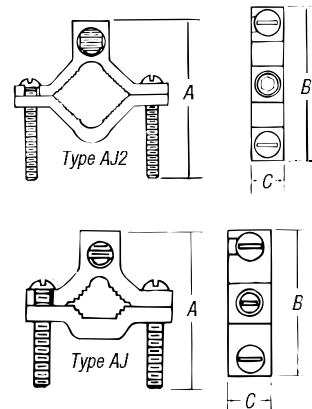
\* UL Listed for direct burial



For connecting grounding conductor to either steel or copper pipe, rod or tubing.

### Aluminum Water Pipe Clamp

- For use with copper or aluminum conductor
- Tin plated for corrosion resistance



CAT. NO.	WATER PIPE SIZE	CONDUCTOR RANGE		DIMENSIONS (IN.)			STEEL CLAMP SCREW	ALUMINUM WIRE SCREW
		MAX.	MIN.	A	B	C		
AJ	½-1	1/0 Str.	#14 Sol.	2½	2¼	¾	¼-20	¼-20 slot
AJ-2	1½-2	250 kcmil	#6	3¾	3¾	7/8	¼-18	¼-20 socket
AJ-2124	2½-4	250 kcmil	#6	5¾	6¾	1	¾-16	¼-20 socket

UL Listed for both copper and aluminum conductors to steel pipe and copper water tubing

## Ground Clamps

Economically priced clamps.

### Die-Cast Clamps

- Made of die-cast zinc alloy with zinc-plated screws
- Model BJA for use with armored cable



CAT. NO.	WATER PIPE SIZE	CONDUCTOR RANGE	
		MAX.	MIN.
BJ-1	½"–1"	#2 str.	#10 sol.
BJA*	½"–1"	#6 AWG	#8 AWG

\* Not UL Listed

Flexible copper strap makes alignment easy.

### Cast Bronze Clamps with Copper Strap

- For grounding rigid conduit systems
- Same features as "JP" clamp plus flexible copper strap
- Strap helps protect conduit system from water system vibrations
- Furnished with zinc-plated screws



CAT. NO.	CONDUIT SIZE	WATER PIPE SIZE	CONDUCTOR RANGE	
			MAX.	MIN.
JPS-12	½"	½"–1"	#6 sol.	#10 sol.
JPS-34	¾"	½"–1"	2/0 str.	#10 sol.
JPS-1	1"	½"–1"	3/0 str.	#10 sol.

Add suffix C to Cat. No. to specify plating.

## Ground Clamps

Connects copper ground wire to water pipe or copper tubing.

### Cast Bronze Ground Clamps

- High-strength, high-conductivity copper alloy (over 80% copper)
- UL® 467 Listed for direct burial



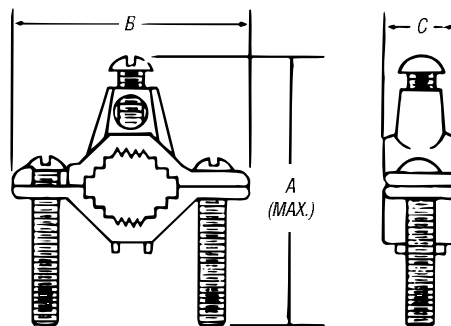
CAT. NO.	WATER PIPE SIZE	CONDUCTOR RANGE
JD	½"–1"	#2 str.–#10 str.
J2D	1¼"–2"	#2 str.–#10 str.



For connecting grounding conductor to water pipe or copper tube.

### Type J — Cast Bronze Ground Clamps

- Cast of high-strength, highly conductive copper alloy
- Screws plated for corrosion resistance
- UL® Listed

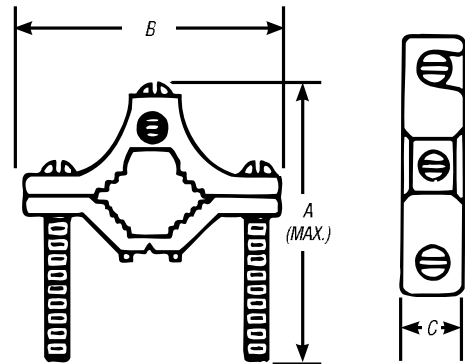


CAT. NO.	WATER PIPE SIZE	CONDUCTOR RANGE		DIMENSIONS (IN.)		
		MAX.	MIN.	A (MAX.)	B	C
J	½"–1"	#2 str.	#10 sol.	2¼	2 <sup>1</sup> / <sub>32</sub>	2 <sup>3</sup> / <sub>32</sub>
J2BB	1¼"–2"	#2 str.	#10 sol.	3¼	3½	1 <sup>3</sup> / <sub>16</sub>
J2124	2½"–4"	#4 str.	#10 sol.	6	6 <sup>5</sup> / <sub>16</sub>	1
J6	4¼"–6"	#4 str.	#10 sol.	7¼	8 <sup>5</sup> / <sub>16</sub>	1

## Ground Clamps

Similar to aluminum water pipe clamp but lighter in construction.

### Budget Price Cast Bronze Clamp



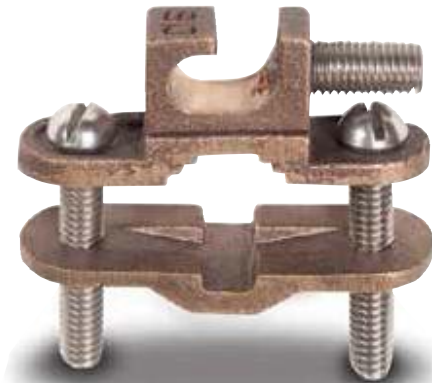
CAT. NO.	WATER PIPE SIZE	CONDUCTOR RANGE		DIMENSIONS (IN.)		
		MAX.	MIN.	A	B	C
JJR	½"-1"	#4 Str.	#10 Sol.	2 <sup>1</sup> / <sub>32</sub>	2 <sup>9</sup> / <sub>32</sub>	1 <sup>1</sup> / <sub>32</sub>

Add suffix C to Cat. No. to specify plating.

Lay-in feature reduces installation time for difficult bends or continuous loops of ground wire.

### Type JDLI — Direct-Burial Ground Clamp

- UL® Listed for direct burial in earth/concrete
- UL® Listed for connection to ground rod, pipe or rebar up to 1"
- Constructed from bronze alloy and high performance stainless steel bolts
- Designed for easy installation of difficult bends or continuous loops



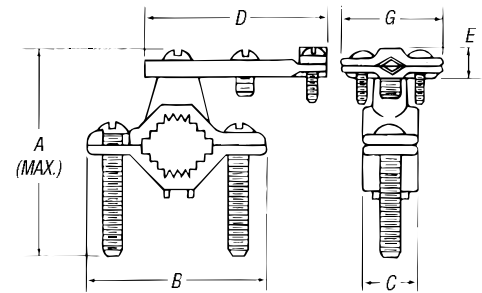
CAT. NO.	PIPE SIZE	REBAR SIZE	GROUND ROD SIZE	CONDUCTOR RANGE	MECH. CONN./SPLICE (UL LISTED)
JDLI	½"-1"	¾"-1"	¼"-1"	#10 Sol.-#2 Str.	(2) #8 Sol.

## Ground Clamps

For connecting armored cable to water pipe.

### Cast Bronze Clamp

- Clamping portion similar to standard “J” clamp
- Special pressure bar grips armor or outer cable insulation to reduce chance of grounding conductor being pulled out
- Furnished with zinc-plated screws



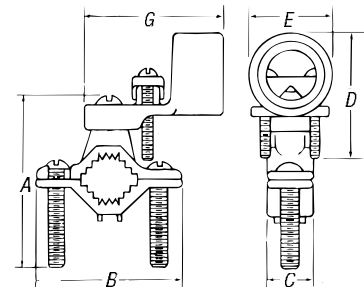
CAT. NO.	WATER PIPE SIZE	CONDUCTOR RANGE		DIMENSIONS (IN.)					
		MAX.	MIN.	A	B	C	D	E	G
JA	½"–1"	#6 sol.	#10 sol.	2¼	2½	2⅜	2⅝	1⅜	1⅝
JA-2	1¼"–2"	#6 sol.	#10 sol.	3¼	3½	1⅜	2⅝	1⅜	1⅝
JA-2124	2½"–4"	#6 sol.	#10 sol.	6	6⅝	1	2⅝	1⅜	1⅝

Add suffix C to Cat. No. to specify plating.

For grounding rigid conduit systems.

### Cast Bronze Clamps for Conduit

- Continuity from rigid conduit system to ground provided by cast bronze threaded conduit hub
- Hub swings 360° for easy alignment
- Heavy brass washer protects clamped grounding conductor
- Furnished with zinc-plated screws
- Cast bronze pipe clamping portion identical to that used in “JA” clamp



CAT. NO.	CONDUIT SIZE	WATER PIPE SIZE	CONDUCTOR RANGE		DIMENSIONS (IN.)					
			MAX.	MIN.	A	B	C	D	E	G
JP-12	½	½"–1"	#6 sol.	#10 sol.	2¼	2½	2⅜	1⅝	1	2½
JP-212	½	1¼"–2"	#6 sol.	#10 sol.	3¼	3½	1⅜	1⅝	1	2½
JP-212412	½	2½"–4"	#6 sol.	#10 sol.	6	6⅝	1	1⅝	1	2½
JP-34	¾	½"–1"	#2/0 str.	#10 sol.	2¼	2½	2⅜	2⅝	1¼	2⅝
JP-234	¾	1¼"–2"	#2/0 str.	#10 sol.	3¼	3½	1⅜	2⅝	1¼	2⅝
JP-212434	¾	2½"–4"	#2/0 str.	#10 sol.	6	6⅝	1	2⅝	1¼	2⅝
JP-1	1	½"–1"	#3/0 str.	#10 sol.	2¼	2½	2⅜	2⅝	1½	2⅝
JP-21	1	1¼"–2"	#3/0 str.	#10 sol.	3¼	3½	1⅜	2⅝	1½	2⅝
JP-21241	1	2½"–4"	#3/0 str.	#10 sol.	6	6⅝	1	2⅝	1½	2⅝

Add suffix C to Cat. No. to specify plating.

## Ground Clamps

Hub swings 360° for ease of alignment.

### Type JPT — Cast Bronze Clamps for Conduit

- Pipe clamping portion identical to “JA” clamp
- Pressure-bar type conduit hub adjusts to fit ½" or ¾" EMT or ½" rigid conduit
- Brass washer provides positive contact with grounding conductor
- Furnished with zinc-plated screws



CAT. NO.	CONDUIT SIZE	PIPE SIZE	CONDUCTOR RANGE	
			MAX.	MIN.
JPT		½" to 1"		
JPT2	½" or ¾" EMT	1¼" to 2"	#6 Sol.	#10 Sol.
JPT4	½" Rigid	2½" to 4"		

## Conduit Hubs

CAT. NO.	GROUND WIRE SIZE AWG	CONDUIT SIZE
3930	#8 to #2	½" Conduit
3940	#8 to #2	¾" Conduit
3950	#8 to 3/0	1" Conduit
3951	#8 to 4/0	1¼" Conduit

Material: Malleable iron



Provides positive connection between rigid conduit and water system.

### Type CH — Bronze Conduit Hubs

- Used in conjunction with “J” clamp
- Rugged cast-bronze threaded hub



CAT. NO.	CONDUIT SIZE (IN.)	CONDUCTOR RANGE	
		MAX.	MIN.
CH12	½	#6 Sol.	#10 Sol.
CH34	¾	2/0 Str.	#10 Sol.
CH1BB	1	3/0 Str.	#10 Sol.



## Ground Clamps

### Ground Clamp



CAT. NO.	MATERIAL	WATER PIPE, COPPER TUBING SIZE	GRD. ROD SIZE
3826†	M.I.	½", ¾"	½"-1"
3846†	Bronze	½", ¾"	½"-1"
3849•	Brass	½"-1" O.D.	
3840-TB†	M.I.	½", ¾" or 1"	

† For unarmored copper wire #6, #4.

• For copper and aluminum conductors; for 14 thru 2 cu. unarmored copper wire — corrosive and outdoor use. UL® approved for direct burial.

\* #6 thru #4 AWG. Not CSA Certified.



3826



3849



3840-TB

### Ground Clamps for K&L Grade Copper Tubing Only



CAT. NO.	GROUND WIRE RANGE	WATER PIPE & GROUND ROD SIZE/ DESC.
3844*	#8-#4	½"-1"
3888†	#8-#4	½"-1" also rebar 4-10
961	#8	¾"-1"
962**	#8	¾"-2"
963**	#8	¾"-3"

CAT. NO.	DESCRIPTION/CABLE SIZE
31215	Strain-Relief Grounding Lug, #6-#2
31216	Grounding Clamp, 1" Hook-Type, #6-#2
31253	Grounding Clamp, 1-½" Hook-Type, #6-#2
31217	Ground Clamp, 1" Straight-Type, #6-#2
31224	Grounding Clamp, 1-½" Straight-Type, #6-#2
31230	Wing Screw only

\* With steel screws.

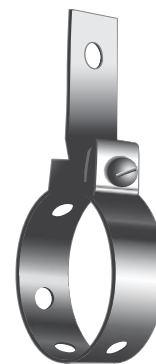
\*\* With bronze screws, not CSA Certified — or UL® Listed.

† UL® approved for direct burial. Silicon bronze screws.



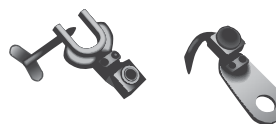
3844

For armored and unarmored wire



961

For radio, motor frame and equipment grounding



31215

Disconnect static ground clamp and lug, straight-type (cable not supplied), UL not applicable

### Cable Tray Ground Clamp

**Material:** Malleable iron

**Standard Finish:** Zinc plated



CAT. NO.	DESCRIPTION
10105*	For Single Conductors #4 sol. to 2/0 str.
10109**	For Single Conductors 2/0 sol. to 4/0 str.

\* UL® Listed #4 to 2/0 AWG copper.

\*\* UL® Listed 2/0 to 4/0 AWG copper/aluminum.

CSA File No. 2884.



## Ground Clamps

For aluminum and steel cable trays with regular or reinforced flanges.

### Tray Clamps

- Serrations and biting teeth on clamping saddle provide a high-quality bond between conduit and clamp
- Can be clamped to any position in a 90° arc
- Hardened steel screws bite into tray and provide positive bond
- Malleable iron hub and steel U-bolt accept conduit from any angle



CAT. NO.	CLAMP TYPE	CONDUIT SIZE
6209	Swivel	½"–¾"
6210	Straight	½"–¾"
6211	Swivel	1"–1¼"
6212	Straight	1"–1¼"
6214	Swivel	1½"–2"
6216	Swivel	2½"–3"
6218	Swivel	3½"–4"

Efficiently grounds trailer frames, cable trays, CATV and telephone pedestals.

### Beam Grounding Clamp

- Connects #6 to #14 solid copper conductor to metal frames where continuity of grounding can be assured
- 7/16" silicon bronze hex-head bolt installs with cam-wrench, socket or crescent wrench
- Tin-plated square-head bolt enables installation with pliers when tighter ground connection is needed
- Ground wire hole access from four directions minimizes need to bend ground wire
- Designed so ground wire may be installed on clamp prior to mounting clamp on metal frame, reducing installation time
- Beam and ground wire connection can be tightened separately with disconnecting integrity of ground circuit
- High-strength copper alloy (91% nom.) provides greater conductivity, durability and corrosion resistance without the need for plating
- High-strength anchoring bolt penetrates paint or metal oxide



CAT. NO.	DESCRIPTION	CONDUCTOR SIZE (AWG)
TGC	Square-Head Tin-Plated Steel Bolt	#6 to #14 sol.

Listed to UL® 467