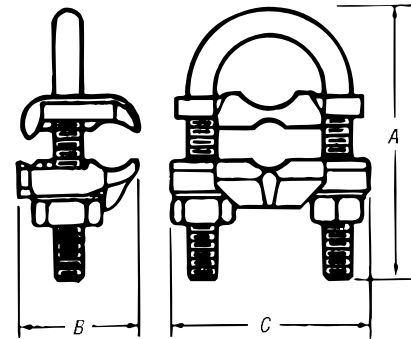


Ground Clamps

Excellent for connecting multiple electrodes with a single cable, such as in substation grounding.

Type GUW — U-Bolt Ground Clamps

- For connecting copper or copper-clad steel grounding conductor to ground rod or pipe
- Specially designed spacer provides proper alignment between cable and electrode and affords more positive contact area
- All components cast or forged from copper alloy
- UL® 467 Listed for direct burial



| CAT. NO.* | CONDUCTOR RANGE (CU) | | NOMINAL ROD SIZE (IN) | | IPS PIPE SIZE | | DIMENSIONS (IN.) | | |
|-----------|----------------------|------|-----------------------|-------|---------------|------|------------------|--------|---------|
| | MAX. | MIN. | MAX. | MIN. | MAX. | MIN. | A | B | C |
| GUV584 | 4 | 8 | 3/4 | 5/8 | 3/8 | — | 2 1/16 | 1 1/16 | 2 1/4 |
| GUV5821 | 2/0 | 4 | 3/4 | 5/8 | 3/8 | — | 2 1/16 | 1 1/16 | 2 1/4 |
| GUV5825 | 250 | 2/0 | 3/4 | 5/8 | 3/8 | — | 2 1/16 | 1 1/16 | 2 1/4 |
| GUV784 | 4 | 8 | 1 | 7/8 | 3/4 | 1/2 | 2 3/4 | 1 1/16 | 2 5/8 |
| GUV7821 | 2/0 | 4 | 1 | 7/8 | 3/4 | 1/2 | 2 3/4 | 1 1/16 | 2 5/8 |
| GUV7825 | 250 | 2/0 | 1 | 7/8 | 3/4 | 1/2 | 2 3/4 | 1 1/16 | 2 5/8 |
| GUV1184 | 4 | 8 | 1 1/4 | 1 1/8 | 1 | — | 3 1/16 | 1 1/16 | 2 3/4 |
| GUV11821 | 2/0 | 4 | 1 1/4 | 1 1/8 | 1 | — | 3 1/16 | 1 1/16 | 2 3/4 |
| GUV1384 | 4 | 8 | 1 1/2 | 1 1/8 | 1 1/4 | — | 3 3/16 | 1 1/16 | 2 5/16 |
| GUV13821 | 2/0 | 4 | 1 1/2 | 1 1/8 | 1 1/4 | — | 3 3/16 | 1 1/16 | 2 5/16 |
| GUV13825 | 250 | 2/0 | 1 1/2 | 1 1/8 | 1 1/4 | — | 3 3/16 | 1 1/16 | 2 5/16 |
| GUV1584 | 4 | 8 | 1 1/2 | 1 1/8 | 1 1/2 | — | 3 5/16 | 1 1/16 | 3 1/8 |
| GUV15821 | 2/0 | 4 | 1 1/2 | 1 1/8 | 1 1/2 | — | 3 5/16 | 1 1/16 | 3 1/8 |
| GUV15825 | 250 | 2/0 | 1 1/2 | 1 1/8 | 1 1/2 | — | 3 5/16 | 1 1/16 | 3 1/8 |
| GUV204 | 4 | 8 | 2 3/8 | 2 | 2 | — | 4 1/16 | 1 1/16 | 3 11/16 |
| GUV2021 | 2/0 | 4 | 2 3/8 | 2 | 2 | — | 4 1/16 | 1 1/16 | 3 11/16 |
| GUV2025 | 250 | 2/0 | 2 3/8 | 2 | 2 | — | 4 1/16 | 1 1/16 | 3 11/16 |
| GUV21221 | 2/0 | 4 | 2 1/2 | 2 1/2 | 2 1/2 | — | 4 3/16 | 1 1/16 | 4 3/8 |
| GUV21225 | 250 | 2/0 | 2 1/2 | 2 1/2 | 2 1/2 | — | 4 3/16 | 1 1/16 | 4 3/8 |
| GUV3021 | 2/0 | 4 | 3 1/2 | 3 | 3 | — | 5 1/16 | 1 1/16 | 4 13/16 |
| GUV3025 | 250 | 2/0 | 3 1/2 | 3 | 3 | — | 5 1/16 | 1 1/16 | 4 13/16 |
| GUV31221 | 2/0 | 4 | 4 | 3 1/2 | 3 1/2 | — | 6 1/16 | 1 1/16 | 5 1/2 |
| GUV4021 | 2/0 | 4 | 4 1/2 | 4 | 4 | — | 6 3/16 | 1 1/16 | 5 11/16 |
| GUV4025 | 250 | 2/0 | 4 1/2 | 4 | 4 | — | 6 3/16 | 1 1/16 | 5 11/16 |

* For tin plating, add suffix P to Cat. No. Contact factory for price and availability.
UL® does not list tin-plated bronze grounding devices.

Ground Clamps

Water Pipe Ground Clamps



| CAT. NO. | GROUND WIRE SIZE | WATER PIPE SIZE |
|----------|------------------|--------------------------|
| 2-TB | #6, #4, #2 | ½", ¾", 1" or rebar 4-10 |
| 3-TB | #6, #4, #2 | 1¼", 1½" or 2" |
| 4 | #6, #4, #2 | 2½", 3" or 3½" |
| 5-TB | #6, #4, #2 | 4", 4½" or 5" |
| 6 | #6, #4, #2 | 6" |

Malleable iron. #6 – #2 AWG ground wire.



Water Pipe Ground Clamps



| CAT. NO. | GROUND WIRE SIZE | WATER PIPE SIZE | CAT. NO. | GROUND WIRE SIZE | WATER PIPE SIZE |
|----------|------------------|-----------------|----------|------------------|-----------------|
| 3902 | #4-4/0 AWG | ½"-1" | 3902BU* | #4-4/0 AWG | ½"-1" |
| 3903 | #4-4/0 AWG | 1¼"-2" | 3903BU* | #4-4/0 AWG | 1¼"-2" |
| 3904 | #4-4/0 AWG | 2½"-3½" | 3904BU* | #4-4/0 AWG | 2½"-3½" |
| 3905-TB | #4-4/0 AWG | 4"-5" | 3905BU* | #4-4/0 AWG | 4"-5" |
| 3906-TB | #4-4/0 AWG | 6" | 3906BU* | #4-4/0 AWG | 6" |
| 3907 | #4-4/0 AWG | 8" | 3907BU* | #4-4/0 AWG | 8" |
| 3908 | #4-4/0 AWG | 10" | 3908BU* | #4-4/0 AWG | 10" |
| 3909-TB | #4-4/0 AWG | 12" | 3909BU* | #4-4/0 AWG | 12" |

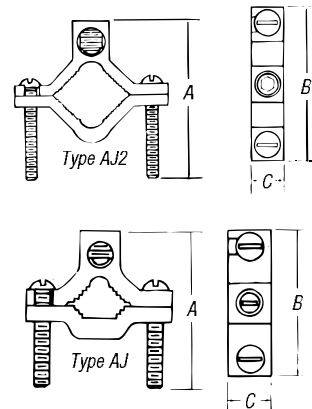
* UL Listed for direct burial



For connecting grounding conductor to either steel or copper pipe, rod or tubing.

Aluminum Water Pipe Clamp

- For use with copper or aluminum conductor
- Tin plated for corrosion resistance



| CAT. NO. | WATER PIPE SIZE | CONDUCTOR RANGE | | DIMENSIONS (IN.) | | | STEEL CLAMP SCREW | ALUMINUM WIRE SCREW |
|----------|-----------------|-----------------|----------|------------------|----|-----|-------------------|---------------------|
| | | MAX. | MIN. | A | B | C | | |
| AJ | ½-1 | 1/0 Str. | #14 Sol. | 2½ | 2¼ | ¾ | ¼-20 | ¼-20 slot |
| AJ-2 | 1½-2 | 250 kcmil | #6 | 3¾ | 3¾ | 7/8 | ¼-18 | ¼-20 socket |
| AJ-2124 | 2½-4 | 250 kcmil | #6 | 5¾ | 6¾ | 1 | ¾-16 | ¼-20 socket |

UL Listed for both copper and aluminum conductors to steel pipe and copper water tubing

Ground Clamps

Economically priced clamps.

Die-Cast Clamps

- Made of die-cast zinc alloy with zinc-plated screws
- Model BJA for use with armored cable



| CAT. NO. | WATER PIPE SIZE | CONDUCTOR RANGE | |
|----------|-----------------|-----------------|----------|
| | | MAX. | MIN. |
| BJ-1 | ½"-1" | #2 str. | #10 sol. |
| BJA* | ½"-1" | #6 AWG | #8 AWG |

* Not UL Listed

Flexible copper strap makes alignment easy.

Cast Bronze Clamps with Copper Strap

- For grounding rigid conduit systems
- Same features as "JP" clamp plus flexible copper strap
- Strap helps protect conduit system from water system vibrations
- Furnished with zinc-plated screws



| CAT. NO. | CONDUIT SIZE | WATER PIPE SIZE | CONDUCTOR RANGE | |
|----------|--------------|-----------------|-----------------|----------|
| | | | MAX. | MIN. |
| JPS-12 | ½" | ½"-1" | #6 sol. | #10 sol. |
| JPS-34 | ¾" | ½"-1" | 2/0 str. | #10 sol. |
| JPS-1 | 1" | ½"-1" | 3/0 str. | #10 sol. |

Add suffix C to Cat. No. to specify plating.

Ground Clamps

Connects copper ground wire to water pipe or copper tubing.

Cast Bronze Ground Clamps

- High-strength, high-conductivity copper alloy (over 80% copper)
- UL® 467 Listed for direct burial



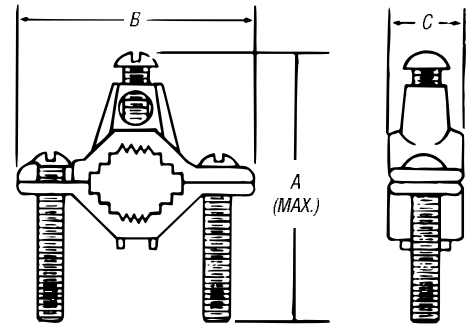
| CAT. NO. | WATER PIPE SIZE | CONDUCTOR RANGE |
|----------|-----------------|------------------|
| JD | ½"-1" | #2 str.-#10 str. |
| J2D | 1¼"-2" | #2 str.-#10 str. |



For connecting grounding conductor to water pipe or copper tube.

Type J — Cast Bronze Ground Clamps

- Cast of high-strength, highly conductive copper alloy
- Screws plated for corrosion resistance
- UL® Listed

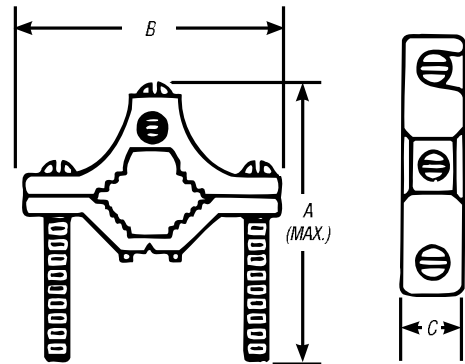


| CAT. NO. | WATER PIPE SIZE | CONDUCTOR RANGE | | DIMENSIONS (IN.) | | |
|----------|-----------------|-----------------|----------|------------------|--------------------------------|--------------------------------|
| | | MAX. | MIN. | A (MAX.) | B | C |
| J | ½"-1" | #2 str. | #10 sol. | 2¼ | 2 ¹ / ₃₂ | 2 ³ / ₃₂ |
| J2BB | 1¼"-2" | #2 str. | #10 sol. | 3¼ | 3½ | 1 ³ / ₁₆ |
| J2124 | 2½"-4" | #4 str. | #10 sol. | 6 | 6 ⁵ / ₁₆ | 1 |
| J6 | 4¼"-6" | #4 str. | #10 sol. | 7¼ | 8 ⁵ / ₁₆ | 1 |

Ground Clamps

Similar to aluminum water pipe clamp but lighter in construction.

Budget Price Cast Bronze Clamp



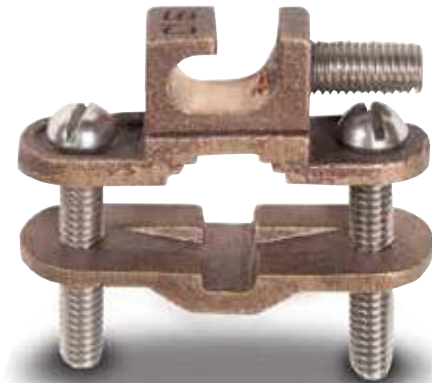
| CAT. NO. | WATER PIPE SIZE | CONDUCTOR RANGE | | DIMENSIONS (IN.) | | |
|----------|-----------------|-----------------|----------|--------------------------------|--------------------------------|--------------------------------|
| | | MAX. | MIN. | A | B | C |
| JJR | ½"-1" | #4 Str. | #10 Sol. | 2 ¹ / ₃₂ | 2 ⁹ / ₃₂ | 1 ¹ / ₃₂ |

Add suffix C to Cat. No. to specify plating.

Lay-in feature reduces installation time for difficult bends or continuous loops of ground wire.

Type JDLI — Direct-Burial Ground Clamp

- UL® Listed for direct burial in earth/concrete
- UL® Listed for connection to ground rod, pipe or rebar up to 1"
- Constructed from bronze alloy and high performance stainless steel bolts
- Designed for easy installation of difficult bends or continuous loops



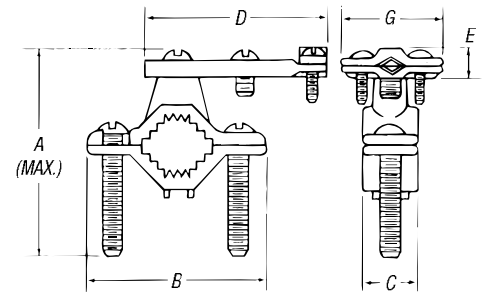
| CAT. NO. | PIPE SIZE | REBAR SIZE | GROUND ROD SIZE | CONDUCTOR RANGE | MECH. CONN./SPLICE (UL LISTED) |
|----------|-----------|------------|-----------------|------------------|--------------------------------|
| JDLI | ½"-1" | ¾"-1" | ¼"-1" | #10 Sol.-#2 Str. | (2) #8 Sol. |

Ground Clamps

For connecting armored cable to water pipe.

Cast Bronze Clamp

- Clamping portion similar to standard “J” clamp
- Special pressure bar grips armor or outer cable insulation to reduce chance of grounding conductor being pulled out
- Furnished with zinc-plated screws



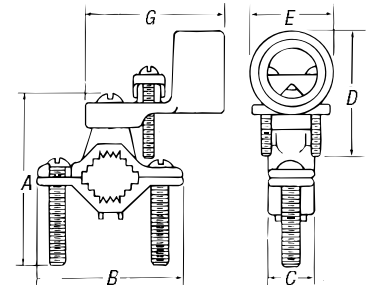
| CAT. NO. | WATER PIPE SIZE | CONDUCTOR RANGE | | DIMENSIONS (IN.) | | | | | |
|----------|-----------------|-----------------|----------|------------------|----|----|----|----|----|
| | | MAX. | MIN. | A | B | C | D | E | G |
| JA | ½"–1" | #6 sol. | #10 sol. | 2¼ | 2½ | 2⅜ | 2⅝ | 1⅜ | 1⅝ |
| JA-2 | 1¼"–2" | #6 sol. | #10 sol. | 3¼ | 3½ | 1⅜ | 2⅝ | 1⅜ | 1⅝ |
| JA-2124 | 2½"–4" | #6 sol. | #10 sol. | 6 | 6⅝ | 1 | 2⅝ | 1⅜ | 1⅝ |

Add suffix C to Cat. No. to specify plating.

For grounding rigid conduit systems.

Cast Bronze Clamps for Conduit

- Continuity from rigid conduit system to ground provided by cast bronze threaded conduit hub
- Hub swings 360° for easy alignment
- Heavy brass washer protects clamped grounding conductor
- Furnished with zinc-plated screws
- Cast bronze pipe clamping portion identical to that used in “JA” clamp



| CAT. NO. | CONDUIT SIZE | WATER PIPE SIZE | CONDUCTOR RANGE | | DIMENSIONS (IN.) | | | | | |
|-----------|--------------|-----------------|-----------------|----------|------------------|----|----|----|----|----|
| | | | MAX. | MIN. | A | B | C | D | E | G |
| JP-12 | ½ | ½"–1" | #6 sol. | #10 sol. | 2¼ | 2½ | 2⅜ | 1⅝ | 1 | 2½ |
| JP-212 | ½ | 1¼"–2" | #6 sol. | #10 sol. | 3¼ | 3½ | 1⅜ | 1⅝ | 1 | 2½ |
| JP-212412 | ½ | 2½"–4" | #6 sol. | #10 sol. | 6 | 6⅝ | 1 | 1⅝ | 1 | 2½ |
| JP-34 | ¾ | ½"–1" | #2/0 str. | #10 sol. | 2¼ | 2½ | 2⅜ | 2⅝ | 1¼ | 2⅝ |
| JP-234 | ¾ | 1¼"–2" | #2/0 str. | #10 sol. | 3¼ | 3½ | 1⅜ | 2⅝ | 1¼ | 2⅝ |
| JP-212434 | ¾ | 2½"–4" | #2/0 str. | #10 sol. | 6 | 6⅝ | 1 | 2⅝ | 1¼ | 2⅝ |
| JP-1 | 1 | ½"–1" | #3/0 str. | #10 sol. | 2¼ | 2½ | 2⅜ | 2⅝ | 1½ | 2⅝ |
| JP-21 | 1 | 1¼"–2" | #3/0 str. | #10 sol. | 3¼ | 3½ | 1⅜ | 2⅝ | 1½ | 2⅝ |
| JP-21241 | 1 | 2½"–4" | #3/0 str. | #10 sol. | 6 | 6⅝ | 1 | 2⅝ | 1½ | 2⅝ |

Add suffix C to Cat. No. to specify plating.

Ground Clamps

Hub swings 360° for ease of alignment.

Type JPT — Cast Bronze Clamps for Conduit

- Pipe clamping portion identical to “JA” clamp
- Pressure-bar type conduit hub adjusts to fit ½" or ¾" EMT or ½" rigid conduit
- Brass washer provides positive contact with grounding conductor
- Furnished with zinc-plated screws



| CAT. NO. | CONDUIT SIZE | PIPE SIZE | CONDUCTOR RANGE | |
|----------|--------------|-----------|-----------------|----------|
| | | | MAX. | MIN. |
| JPT | | ½" to 1" | | |
| JPT2 | ½" or ¾" EMT | 1¼" to 2" | #6 Sol. | #10 Sol. |
| JPT4 | ½" Rigid | 2½" to 4" | | |

Conduit Hubs

| CAT. NO. | GROUND WIRE SIZE AWG | CONDUIT SIZE |
|----------|----------------------|--------------|
| 3930 | #8 to #2 | ½" Conduit |
| 3940 | #8 to #2 | ¾" Conduit |
| 3950 | #8 to 3/0 | 1" Conduit |
| 3951 | #8 to 4/0 | 1¼" Conduit |

Material: Malleable iron



Provides positive connection between rigid conduit and water system.

Type CH — Bronze Conduit Hubs

- Used in conjunction with “J” clamp
- Rugged cast-bronze threaded hub



| CAT. NO. | CONDUIT SIZE (IN.) | CONDUCTOR RANGE | |
|----------|--------------------|-----------------|----------|
| | | MAX. | MIN. |
| CH12 | ½ | #6 Sol. | #10 Sol. |
| CH34 | ¾ | 2/0 Str. | #10 Sol. |
| CH1BB | 1 | 3/0 Str. | #10 Sol. |

Ground Clamps

Ground Clamp



| CAT. NO. | MATERIAL | WATER PIPE, COPPER TUBING SIZE | GRD. ROD SIZE |
|----------|----------|--------------------------------|---------------|
| 3826† | M.I. | ½", ¾" | ½"-1" |
| 3846† | Bronze | ½", ¾" | ½"-1" |
| 3849• | Brass | ½"-1" O.D. | |
| 3840-TB† | M.I. | ½", ¾" or 1" | |

† For unarmored copper wire #6, #4.

• For copper and aluminum conductors; for 14 thru 2 cu. unarmored copper wire — corrosive and outdoor use. UL® approved for direct burial.

* #6 thru #4 AWG. Not CSA Certified.



3826

3849



3840-TB

Ground Clamps for K&L Grade Copper Tubing Only



| CAT. NO. | GROUND WIRE RANGE | WATER PIPE & GROUND ROD SIZE/ DESC. |
|----------|-------------------|-------------------------------------|
| 3844* | #8-#4 | ½"-1" |
| 3888† | #8-#4 | ½"-1" also rebar 4-10 |
| 961 | #8 | ¾"-1" |
| 962** | #8 | ¾"-2" |
| 963** | #8 | ¾"-3" |

| CAT. NO. | DESCRIPTION/CABLE SIZE |
|----------|--|
| 31215 | Strain-Relief Grounding Lug, #6-#2 |
| 31216 | Grounding Clamp, 1" Hook-Type, #6-#2 |
| 31253 | Grounding Clamp, 1-½" Hook-Type, #6-#2 |
| 31217 | Ground Clamp, 1" Straight-Type, #6-#2 |
| 31224 | Grounding Clamp, 1-½" Straight-Type, #6-#2 |
| 31230 | Wing Screw only |

* With steel screws.

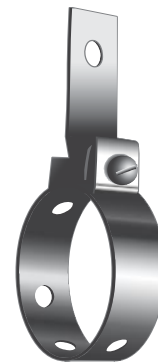
** With bronze screws, not CSA Certified — or UL® Listed.

† UL® approved for direct burial. Silicon bronze screws.



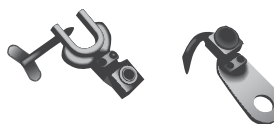
3844

For armored and unarmored wire



961

For radio, motor frame and equipment grounding



31215

Disconnect static ground clamp and lug, straight-type (cable not supplied), UL not applicable

Cable Tray Ground Clamp

Material: Malleable iron

Standard Finish: Zinc plated



| CAT. NO. | DESCRIPTION |
|----------|--|
| 10105* | For Single Conductors #4 sol. to 2/0 str. |
| 10109** | For Single Conductors 2/0 sol. to 4/0 str. |

* UL® Listed #4 to 2/0 AWG copper.

** UL® Listed 2/0 to 4/0 AWG copper/aluminum.

CSA File No. 2884.



Ground Clamps

For aluminum and steel cable trays with regular or reinforced flanges.

Tray Clamps

- Serrations and biting teeth on clamping saddle provide a high-quality bond between conduit and clamp
- Can be clamped to any position in a 90° arc
- Hardened steel screws bite into tray and provide positive bond
- Malleable iron hub and steel U-bolt accept conduit from any angle



| CAT. NO. | CLAMP TYPE | CONDUIT SIZE |
|----------|------------|--------------|
| 6209 | Swivel | ½"–¾" |
| 6210 | Straight | ½"–¾" |
| 6211 | Swivel | 1"–1¼" |
| 6212 | Straight | 1"–1¼" |
| 6214 | Swivel | 1½"–2" |
| 6216 | Swivel | 2½"–3" |
| 6218 | Swivel | 3½"–4" |

Efficiently grounds trailer frames, cable trays, CATV and telephone pedestals.

Beam Grounding Clamp

- Connects #6 to #14 solid copper conductor to metal frames where continuity of grounding can be assured
- 7/16" silicon bronze hex-head bolt installs with cam-wrench, socket or crescent wrench
- Tin-plated square-head bolt enables installation with pliers when tighter ground connection is needed
- Ground wire hole access from four directions minimizes need to bend ground wire
- Designed so ground wire may be installed on clamp prior to mounting clamp on metal frame, reducing installation time
- Beam and ground wire connection can be tightened separately with disconnecting integrity of ground circuit
- High-strength copper alloy (91% nom.) provides greater conductivity, durability and corrosion resistance without the need for plating
- High-strength anchoring bolt penetrates paint or metal oxide



| CAT. NO. | DESCRIPTION | CONDUCTOR SIZE (AWG) |
|----------|-----------------------------------|----------------------|
| TGC | Square-Head Tin-Plated Steel Bolt | #6 to #14 sol. |

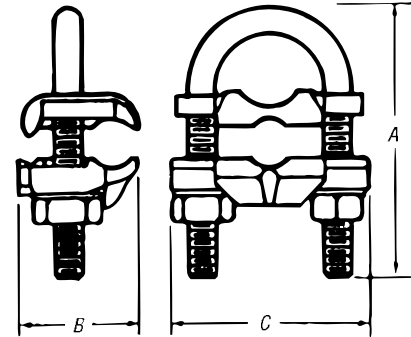
Listed to UL® 467

Ground Clamps

Excellent for connecting multiple electrodes with a single cable, such as in substation grounding.

Type GUV — U-Bolt Ground Clamps

- For connecting copper or copper-clad steel grounding conductor to ground rod or pipe
- Specially designed spacer provides proper alignment between cable and electrode and affords more positive contact area
- All components cast or forged from copper alloy
- UL® 467 Listed for direct burial



| CAT. NO.* | CONDUCTOR RANGE (CU) | | NOMINAL ROD SIZE (IN) | | IPS PIPE SIZE | | DIMENSIONS (IN.) | | |
|-----------|----------------------|------|-----------------------|-------|---------------|------|------------------|--------|---------|
| | MAX. | MIN. | MAX. | MIN. | MAX. | MIN. | A | B | C |
| GUV584 | 4 | 8 | 3/4 | 5/8 | 3/8 | — | 2 1/16 | 1 1/16 | 2 1/4 |
| GUV5821 | 2/0 | 4 | 3/4 | 5/8 | 3/8 | — | 2 1/16 | 1 1/16 | 2 1/4 |
| GUV5825 | 250 | 2/0 | 3/4 | 5/8 | 3/8 | — | 2 1/16 | 1 1/16 | 2 1/4 |
| GUV784 | 4 | 8 | 1 | 7/8 | 3/4 | 1/2 | 2 3/4 | 1 1/16 | 2 5/8 |
| GUV7821 | 2/0 | 4 | 1 | 7/8 | 3/4 | 1/2 | 2 3/4 | 1 1/16 | 2 5/8 |
| GUV7825 | 250 | 2/0 | 1 | 7/8 | 3/4 | 1/2 | 2 3/4 | 1 1/16 | 2 5/8 |
| GUV1184 | 4 | 8 | 1 1/4 | 1 1/8 | 1 | — | 3 1/16 | 1 1/16 | 2 3/4 |
| GUV11821 | 2/0 | 4 | 1 1/4 | 1 1/8 | 1 | — | 3 1/16 | 1 1/16 | 2 3/4 |
| GUV1384 | 4 | 8 | 1 1/2 | 1 1/8 | 1 1/4 | — | 3 3/16 | 1 1/16 | 2 5/16 |
| GUV13821 | 2/0 | 4 | 1 1/2 | 1 1/8 | 1 1/4 | — | 3 3/16 | 1 1/16 | 2 5/16 |
| GUV13825 | 250 | 2/0 | 1 1/2 | 1 1/8 | 1 1/4 | — | 3 3/16 | 1 1/16 | 2 5/16 |
| GUV1584 | 4 | 8 | 1 5/8 | 1 3/8 | 1 1/2 | — | 3 5/16 | 1 1/16 | 3 1/8 |
| GUV15821 | 2/0 | 4 | 1 5/8 | 1 3/8 | 1 1/2 | — | 3 5/16 | 1 1/16 | 3 1/8 |
| GUV15825 | 250 | 2/0 | 1 5/8 | 1 3/8 | 1 1/2 | — | 3 5/16 | 1 1/16 | 3 1/8 |
| GUV204 | 4 | 8 | 2 3/8 | 2 | 2 | — | 4 1/16 | 1 1/16 | 3 11/16 |
| GUV2021 | 2/0 | 4 | 2 3/8 | 2 | 2 | — | 4 1/16 | 1 1/16 | 3 11/16 |
| GUV2025 | 250 | 2/0 | 2 3/8 | 2 | 2 | — | 4 1/16 | 1 1/16 | 3 11/16 |
| GUV21221 | 2/0 | 4 | 2 5/8 | 2 1/2 | 2 1/2 | — | 4 3/16 | 1 1/16 | 4 3/8 |
| GUV21225 | 250 | 2/0 | 2 5/8 | 2 1/2 | 2 1/2 | — | 4 3/16 | 1 1/16 | 4 3/8 |
| GUV3021 | 2/0 | 4 | 3 1/2 | 3 | 3 | — | 5 1/16 | 1 1/16 | 4 13/16 |
| GUV3025 | 250 | 2/0 | 3 1/2 | 3 | 3 | — | 5 1/16 | 1 1/16 | 4 13/16 |
| GUV31221 | 2/0 | 4 | 4 | 3 1/2 | 3 1/2 | — | 6 1/16 | 1 1/16 | 5 1/2 |
| GUV4021 | 2/0 | 4 | 4 1/2 | 4 | 4 | — | 6 3/16 | 1 1/16 | 5 11/16 |
| GUV4025 | 250 | 2/0 | 4 1/2 | 4 | 4 | — | 6 3/16 | 1 1/16 | 5 11/16 |

* For tin plating, add suffix P to Cat. No. Contact factory for price and availability.
UL® does not list tin-plated bronze grounding devices.

Ground Clamps

Water Pipe Ground Clamps



| CAT. NO. | GROUND WIRE SIZE | WATER PIPE SIZE |
|----------|------------------|--------------------------|
| 2-TB | #6, #4, #2 | ½", ¾", 1" or rebar 4-10 |
| 3-TB | #6, #4, #2 | 1¼", 1½" or 2" |
| 4 | #6, #4, #2 | 2½", 3" or 3½" |
| 5-TB | #6, #4, #2 | 4", 4½" or 5" |
| 6 | #6, #4, #2 | 6" |

Malleable iron. #6 – #2 AWG ground wire.



Water Pipe Ground Clamps



| CAT. NO. | GROUND WIRE SIZE | WATER PIPE SIZE | CAT. NO. | GROUND WIRE SIZE | WATER PIPE SIZE |
|----------|------------------|-----------------|----------|------------------|-----------------|
| 3902 | #4-4/0 AWG | ½"-1" | 3902BU* | #4-4/0 AWG | ½"-1" |
| 3903 | #4-4/0 AWG | 1¼"-2" | 3903BU* | #4-4/0 AWG | 1¼"-2" |
| 3904 | #4-4/0 AWG | 2½"-3½" | 3904BU* | #4-4/0 AWG | 2½"-3½" |
| 3905-TB | #4-4/0 AWG | 4"-5" | 3905BU* | #4-4/0 AWG | 4"-5" |
| 3906-TB | #4-4/0 AWG | 6" | 3906BU* | #4-4/0 AWG | 6" |
| 3907 | #4-4/0 AWG | 8" | 3907BU* | #4-4/0 AWG | 8" |
| 3908 | #4-4/0 AWG | 10" | 3908BU* | #4-4/0 AWG | 10" |
| 3909-TB | #4-4/0 AWG | 12" | 3909BU* | #4-4/0 AWG | 12" |

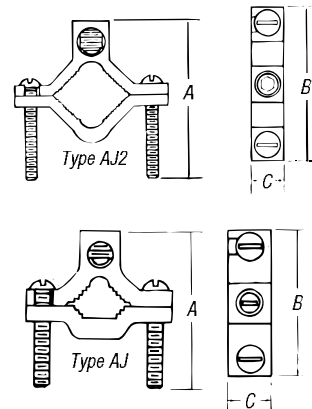
* UL Listed for direct burial



For connecting grounding conductor to either steel or copper pipe, rod or tubing.

Aluminum Water Pipe Clamp

- For use with copper or aluminum conductor
- Tin plated for corrosion resistance



| CAT. NO. | WATER PIPE SIZE | CONDUCTOR RANGE | | DIMENSIONS (IN.) | | | STEEL CLAMP SCREW | ALUMINUM WIRE SCREW |
|----------|-----------------|-----------------|----------|------------------|----|-----|-------------------|---------------------|
| | | MAX. | MIN. | A | B | C | | |
| AJ | ½-1 | 1/0 Str. | #14 Sol. | 2½ | 2¼ | ¾ | ¼-20 | ¼-20 slot |
| AJ-2 | 1½-2 | 250 kcmil | #6 | 3¾ | 3¾ | 7/8 | ¼-18 | ¼-20 socket |
| AJ-2124 | 2½-4 | 250 kcmil | #6 | 5¾ | 6¾ | 1 | ¾-16 | ¼-20 socket |

UL Listed for both copper and aluminum conductors to steel pipe and copper water tubing

Ground Clamps

Economically priced clamps.

Die-Cast Clamps

- Made of die-cast zinc alloy with zinc-plated screws
- Model BJA for use with armored cable



| CAT. NO. | WATER PIPE SIZE | CONDUCTOR RANGE | |
|----------|-----------------|-----------------|----------|
| | | MAX. | MIN. |
| BJ-1 | ½"–1" | #2 str. | #10 sol. |
| BJA* | ½"–1" | #6 AWG | #8 AWG |

* Not UL Listed

Flexible copper strap makes alignment easy.

Cast Bronze Clamps with Copper Strap

- For grounding rigid conduit systems
- Same features as "JP" clamp plus flexible copper strap
- Strap helps protect conduit system from water system vibrations
- Furnished with zinc-plated screws



| CAT. NO. | CONDUIT SIZE | WATER PIPE SIZE | CONDUCTOR RANGE | |
|----------|--------------|-----------------|-----------------|----------|
| | | | MAX. | MIN. |
| JPS-12 | ½" | ½"–1" | #6 sol. | #10 sol. |
| JPS-34 | ¾" | ½"–1" | 2/0 str. | #10 sol. |
| JPS-1 | 1" | ½"–1" | 3/0 str. | #10 sol. |

Add suffix C to Cat. No. to specify plating.

Ground Clamps

Connects copper ground wire to water pipe or copper tubing.

Cast Bronze Ground Clamps

- High-strength, high-conductivity copper alloy (over 80% copper)
- UL® 467 Listed for direct burial



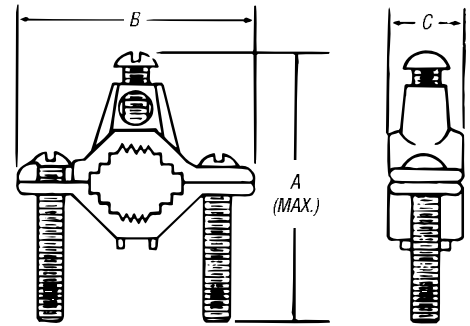
| CAT. NO. | WATER PIPE SIZE | CONDUCTOR RANGE |
|----------|-----------------|------------------|
| JD | ½"-1" | #2 str.-#10 str. |
| J2D | 1¼"-2" | #2 str.-#10 str. |



For connecting grounding conductor to water pipe or copper tube.

Type J — Cast Bronze Ground Clamps

- Cast of high-strength, highly conductive copper alloy
- Screws plated for corrosion resistance
- UL® Listed

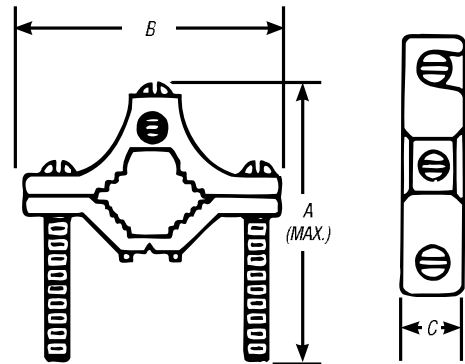


| CAT. NO. | WATER PIPE SIZE | CONDUCTOR RANGE | | DIMENSIONS (IN.) | | |
|----------|-----------------|-----------------|----------|------------------|--------------------------------|--------------------------------|
| | | MAX. | MIN. | A (MAX.) | B | C |
| J | ½"-1" | #2 str. | #10 sol. | 2¼ | 2 ¹ / ₃₂ | 2 ³ / ₃₂ |
| J2BB | 1¼"-2" | #2 str. | #10 sol. | 3¼ | 3½ | 1 ³ / ₁₆ |
| J2124 | 2½"-4" | #4 str. | #10 sol. | 6 | 6 ⁵ / ₁₆ | 1 |
| J6 | 4¼"-6" | #4 str. | #10 sol. | 7¼ | 8 ⁵ / ₁₆ | 1 |

Ground Clamps

Similar to aluminum water pipe clamp but lighter in construction.

Budget Price Cast Bronze Clamp



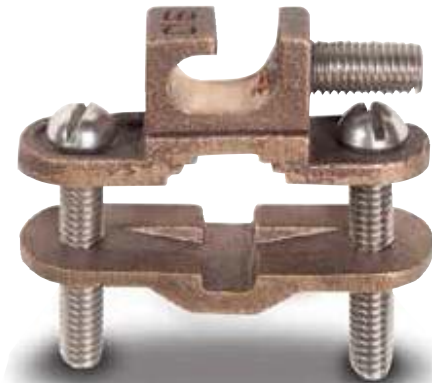
| CAT. NO. | WATER PIPE SIZE | CONDUCTOR RANGE | | DIMENSIONS (IN.) | | |
|----------|-----------------|-----------------|----------|--------------------------------|--------------------------------|--------------------------------|
| | | MAX. | MIN. | A | B | C |
| JJR | ½"-1" | #4 Str. | #10 Sol. | 2 ¹ / ₃₂ | 2 ⁹ / ₃₂ | 1 ¹ / ₃₂ |

Add suffix C to Cat. No. to specify plating.

Lay-in feature reduces installation time for difficult bends or continuous loops of ground wire.

Type JDLI — Direct-Burial Ground Clamp

- UL® Listed for direct burial in earth/concrete
- UL® Listed for connection to ground rod, pipe or rebar up to 1"
- Constructed from bronze alloy and high performance stainless steel bolts
- Designed for easy installation of difficult bends or continuous loops



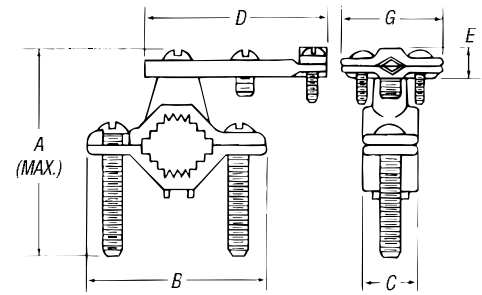
| CAT. NO. | PIPE SIZE | REBAR SIZE | GROUND ROD SIZE | CONDUCTOR RANGE | MECH. CONN./SPLICE (UL LISTED) |
|----------|-----------|------------|-----------------|------------------|--------------------------------|
| JDLI | ½"-1" | ¾"-1" | ¼"-1" | #10 Sol.-#2 Str. | (2) #8 Sol. |

Ground Clamps

For connecting armored cable to water pipe.

Cast Bronze Clamp

- Clamping portion similar to standard “J” clamp
- Special pressure bar grips armor or outer cable insulation to reduce chance of grounding conductor being pulled out
- Furnished with zinc-plated screws



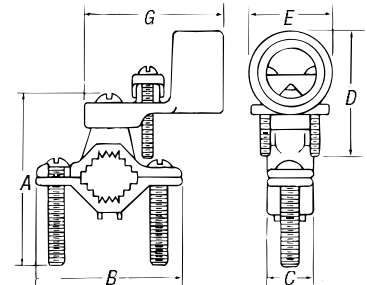
| CAT. NO. | WATER PIPE SIZE | CONDUCTOR RANGE | | DIMENSIONS (IN.) | | | | | |
|----------|-----------------|-----------------|----------|------------------|--------|--------|--------|--------|-------|
| | | MAX. | MIN. | A | B | C | D | E | G |
| JA | 1/2"-1" | #6 sol. | #10 sol. | 2 3/4 | 2 1/2 | 2 3/32 | 2 3/32 | 1 3/32 | 1 3/8 |
| JA-2 | 1 1/4"-2" | #6 sol. | #10 sol. | 3 3/4 | 3 1/2 | 1 3/16 | 2 3/32 | 1 3/32 | 1 3/8 |
| JA-2124 | 2 1/2"-4" | #6 sol. | #10 sol. | 6 | 6 5/16 | 1 | 2 3/32 | 1 3/32 | 1 3/8 |

Add suffix C to Cat. No. to specify plating.

For grounding rigid conduit systems.

Cast Bronze Clamps for Conduit

- Continuity from rigid conduit system to ground provided by cast bronze threaded conduit hub
- Hub swings 360° for easy alignment
- Heavy brass washer protects clamped grounding conductor
- Furnished with zinc-plated screws
- Cast bronze pipe clamping portion identical to that used in “JA” clamp



| CAT. NO. | CONDUIT SIZE | WATER PIPE SIZE | CONDUCTOR RANGE | | DIMENSIONS (IN.) | | | | | |
|-----------|--------------|-----------------|-----------------|----------|------------------|--------|--------|--------|-------|--------|
| | | | MAX. | MIN. | A | B | C | D | E | G |
| JP-12 | 1/2 | 1/2"-1" | #6 sol. | #10 sol. | 2 3/4 | 2 1/2 | 2 3/32 | 1 3/64 | 1 | 2 1/2 |
| JP-212 | 1/2 | 1 1/4"-2" | #6 sol. | #10 sol. | 3 3/4 | 3 1/2 | 1 3/16 | 1 3/64 | 1 | 2 1/2 |
| JP-212412 | 1/2 | 2 1/2"-4" | #6 sol. | #10 sol. | 6 | 6 5/16 | 1 | 1 3/64 | 1 | 2 1/2 |
| JP-34 | 3/4 | 1/2"-1" | #2/0 str. | #10 sol. | 2 3/4 | 2 1/2 | 2 3/32 | 2 5/16 | 1 1/4 | 2 3/16 |
| JP-234 | 3/4 | 1 1/4"-2" | #2/0 str. | #10 sol. | 3 3/4 | 3 1/2 | 1 3/16 | 2 3/16 | 1 1/4 | 2 3/16 |
| JP-212434 | 3/4 | 2 1/2"-4" | #2/0 str. | #10 sol. | 6 | 6 5/16 | 1 | 2 3/16 | 1 1/4 | 2 3/16 |
| JP-1 | 1 | 1/2"-1" | #3/0 str. | #10 sol. | 2 3/4 | 2 1/2 | 2 3/32 | 2 3/16 | 1 1/2 | 2 3/8 |
| JP-21 | 1 | 1 1/4"-2" | #3/0 str. | #10 sol. | 3 3/4 | 3 1/2 | 1 3/16 | 2 3/16 | 1 1/2 | 2 3/8 |
| JP-21241 | 1 | 2 1/2"-4" | #3/0 str. | #10 sol. | 6 | 6 5/16 | 1 | 2 3/16 | 1 1/2 | 2 3/8 |

Add suffix C to Cat. No. to specify plating.

Ground Clamps

Hub swings 360° for ease of alignment.

Type JPT — Cast Bronze Clamps for Conduit

- Pipe clamping portion identical to “JA” clamp
- Pressure-bar type conduit hub adjusts to fit ½" or ¾" EMT or ½" rigid conduit
- Brass washer provides positive contact with grounding conductor
- Furnished with zinc-plated screws



| CAT. NO. | CONDUIT SIZE | PIPE SIZE | CONDUCTOR RANGE | |
|----------|--------------|-----------|-----------------|----------|
| | | | MAX. | MIN. |
| JPT | | ½" to 1" | | |
| JPT2 | ½" or ¾" EMT | 1¼" to 2" | #6 Sol. | #10 Sol. |
| JPT4 | ½" Rigid | 2½" to 4" | | |

Conduit Hubs

| CAT. NO. | GROUND WIRE SIZE AWG | CONDUIT SIZE |
|----------|----------------------|--------------|
| 3930 | #8 to #2 | ½" Conduit |
| 3940 | #8 to #2 | ¾" Conduit |
| 3950 | #8 to 3/0 | 1" Conduit |
| 3951 | #8 to 4/0 | 1¼" Conduit |

Material: Malleable iron



Provides positive connection between rigid conduit and water system.

Type CH — Bronze Conduit Hubs

- Used in conjunction with “J” clamp
- Rugged cast-bronze threaded hub



| CAT. NO. | CONDUIT SIZE (IN.) | CONDUCTOR RANGE | |
|----------|--------------------|-----------------|----------|
| | | MAX. | MIN. |
| CH12 | ½ | #6 Sol. | #10 Sol. |
| CH34 | ¾ | 2/0 Str. | #10 Sol. |
| CH1BB | 1 | 3/0 Str. | #10 Sol. |

Ground Clamps

Ground Clamp



| CAT. NO. | MATERIAL | WATER PIPE, COPPER TUBING SIZE | GRD. ROD SIZE |
|----------|----------|--------------------------------|---------------|
| 3826† | M.I. | ½", ¾" | ½"-1" |
| 3846† | Bronze | ½", ¾" | ½"-1" |
| 3849• | Brass | ½"-1" O.D. | |
| 3840-TB† | M.I. | ½", ¾" or 1" | |

† For unarmored copper wire #6, #4.

• For copper and aluminum conductors; for 14 thru 2 cu. unarmored copper wire — corrosive and outdoor use. UL® approved for direct burial.

* #6 thru #4 AWG. Not CSA Certified.



3826

3849



3840-TB

Ground Clamps for K&L Grade Copper Tubing Only



| CAT. NO. | GROUND WIRE RANGE | WATER PIPE & GROUND ROD SIZE/ DESC. |
|----------|-------------------|-------------------------------------|
| 3844* | #8-#4 | ½"-1" |
| 3888† | #8-#4 | ½"-1" also rebar 4-10 |
| 961 | #8 | ¾"-1" |
| 962** | #8 | ¾"-2" |
| 963** | #8 | ¾"-3" |

| CAT. NO. | DESCRIPTION/CABLE SIZE |
|----------|--|
| 31215 | Strain-Relief Grounding Lug, #6-#2 |
| 31216 | Grounding Clamp, 1" Hook-Type, #6-#2 |
| 31253 | Grounding Clamp, 1-½" Hook-Type, #6-#2 |
| 31217 | Ground Clamp, 1" Straight-Type, #6-#2 |
| 31224 | Grounding Clamp, 1-½" Straight-Type, #6-#2 |
| 31230 | Wing Screw only |

* With steel screws.

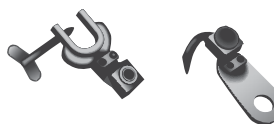
** With bronze screws, not CSA Certified — or UL® Listed.

† UL® approved for direct burial. Silicon bronze screws.



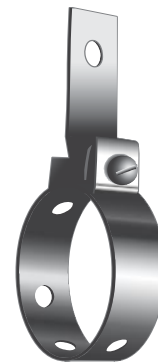
3844

For armored and unarmored wire



31215

Disconnect static ground clamp and lug, straight-type (cable not supplied), UL not applicable



961

For radio, motor frame and equipment grounding

Cable Tray Ground Clamp

Material: Malleable iron

Standard Finish: Zinc plated



| CAT. NO. | DESCRIPTION |
|----------|--|
| 10105* | For Single Conductors #4 sol. to 2/0 str. |
| 10109** | For Single Conductors 2/0 sol. to 4/0 str. |

* UL® Listed #4 to 2/0 AWG copper.

** UL® Listed 2/0 to 4/0 AWG copper/aluminum.

CSA File No. 2884.



Ground Clamps

For aluminum and steel cable trays with regular or reinforced flanges.

Tray Clamps

- Serrations and biting teeth on clamping saddle provide a high-quality bond between conduit and clamp
- Can be clamped to any position in a 90° arc
- Hardened steel screws bite into tray and provide positive bond
- Malleable iron hub and steel U-bolt accept conduit from any angle



| CAT. NO. | CLAMP TYPE | CONDUIT SIZE |
|----------|------------|--------------|
| 6209 | Swivel | ½"–¾" |
| 6210 | Straight | ½"–¾" |
| 6211 | Swivel | 1"–1¼" |
| 6212 | Straight | 1"–1¼" |
| 6214 | Swivel | 1½"–2" |
| 6216 | Swivel | 2½"–3" |
| 6218 | Swivel | 3½"–4" |

Efficiently grounds trailer frames, cable trays, CATV and telephone pedestals.

Beam Grounding Clamp

- Connects #6 to #14 solid copper conductor to metal frames where continuity of grounding can be assured
- 7/16" silicon bronze hex-head bolt installs with cam-wrench, socket or crescent wrench
- Tin-plated square-head bolt enables installation with pliers when tighter ground connection is needed
- Ground wire hole access from four directions minimizes need to bend ground wire
- Designed so ground wire may be installed on clamp prior to mounting clamp on metal frame, reducing installation time
- Beam and ground wire connection can be tightened separately with disconnecting integrity of ground circuit
- High-strength copper alloy (91% nom.) provides greater conductivity, durability and corrosion resistance without the need for plating
- High-strength anchoring bolt penetrates paint or metal oxide



| CAT. NO. | DESCRIPTION | CONDUCTOR SIZE (AWG) |
|----------|-----------------------------------|----------------------|
| TGC | Square-Head Tin-Plated Steel Bolt | #6 to #14 sol. |

Listed to UL® 467