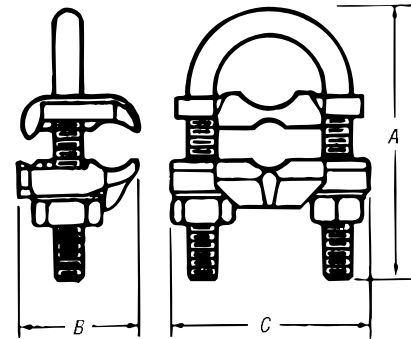


## Ground Clamps

Excellent for connecting multiple electrodes with a single cable, such as in substation grounding.

### Type GUU — U-Bolt Ground Clamps

- For connecting copper or copper-clad steel grounding conductor to ground rod or pipe
- Specially designed spacer provides proper alignment between cable and electrode and affords more positive contact area
- All components cast or forged from copper alloy
- UL® 467 Listed for direct burial



| CAT. NO.* | CONDUCTOR RANGE (CU) |      | NOMINAL ROD SIZE (IN) |       | IPS PIPE SIZE |      | DIMENSIONS (IN.) |        |         |
|-----------|----------------------|------|-----------------------|-------|---------------|------|------------------|--------|---------|
|           | MAX.                 | MIN. | MAX.                  | MIN.  | MAX.          | MIN. | A                | B      | C       |
| GUV584    | 4                    | 8    | 3/4                   | 5/8   | 3/8           | —    | 2 1/16           | 1 1/16 | 2 1/4   |
| GUV5821   | 2/0                  | 4    | 3/4                   | 5/8   | 3/8           | —    | 2 1/16           | 1 1/16 | 2 1/4   |
| GUV5825   | 250                  | 2/0  | 3/4                   | 5/8   | 3/8           | —    | 2 1/16           | 1 1/16 | 2 1/4   |
| GUV784    | 4                    | 8    | 1                     | 7/8   | 3/4           | 1/2  | 2 3/4            | 1 1/16 | 2 5/8   |
| GUV7821   | 2/0                  | 4    | 1                     | 7/8   | 3/4           | 1/2  | 2 3/4            | 1 1/16 | 2 5/8   |
| GUV7825   | 250                  | 2/0  | 1                     | 7/8   | 3/4           | 1/2  | 2 3/4            | 1 1/16 | 2 5/8   |
| GUV1184   | 4                    | 8    | 1 1/4                 | 1 1/8 | 1             | —    | 3 1/16           | 1 1/16 | 2 3/4   |
| GUV11821  | 2/0                  | 4    | 1 1/4                 | 1 1/8 | 1             | —    | 3 1/16           | 1 1/16 | 2 3/4   |
| GUV1384   | 4                    | 8    | 1 1/2                 | 1 1/8 | 1 1/4         | —    | 3 3/16           | 1 1/16 | 2 5/16  |
| GUV13821  | 2/0                  | 4    | 1 1/2                 | 1 1/8 | 1 1/4         | —    | 3 3/16           | 1 1/16 | 2 5/16  |
| GUV13825  | 250                  | 2/0  | 1 1/2                 | 1 1/8 | 1 1/4         | —    | 3 3/16           | 1 1/16 | 2 5/16  |
| GUV1584   | 4                    | 8    | 1 1/8                 | 1 1/8 | 1 1/2         | —    | 3 3/16           | 1 1/16 | 3 1/8   |
| GUV15821  | 2/0                  | 4    | 1 1/8                 | 1 1/8 | 1 1/2         | —    | 3 15/16          | 1 1/16 | 3 1/8   |
| GUV15825  | 250                  | 2/0  | 1 1/8                 | 1 1/8 | 1 1/2         | —    | 3 15/16          | 1 1/16 | 3 1/8   |
| GUV204    | 4                    | 8    | 2 3/8                 | 2     | 2             | —    | 4 1/16           | 1 1/16 | 3 11/16 |
| GUV2021   | 2/0                  | 4    | 2 3/8                 | 2     | 2             | —    | 4 1/16           | 1 1/16 | 3 11/16 |
| GUV2025   | 250                  | 2/0  | 2 3/8                 | 2     | 2             | —    | 4 1/16           | 1 1/16 | 3 11/16 |
| GUV21221  | 2/0                  | 4    | 2 1/2                 | 2 1/2 | 2 1/2         | —    | 4 15/16          | 1 1/16 | 4 3/8   |
| GUV21225  | 250                  | 2/0  | 2 1/2                 | 2 1/2 | 2 1/2         | —    | 4 15/16          | 1 1/16 | 4 3/8   |
| GUV3021   | 2/0                  | 4    | 3 1/2                 | 3     | 3             | —    | 5 1/16           | 1 1/16 | 4 13/16 |
| GUV3025   | 250                  | 2/0  | 3 1/2                 | 3     | 3             | —    | 5 1/16           | 1 1/16 | 4 13/16 |
| GUV31221  | 2/0                  | 4    | 4                     | 3 1/2 | 3 1/2         | —    | 6 1/16           | 1 1/16 | 5 1/2   |
| GUV4021   | 2/0                  | 4    | 4 1/2                 | 4     | 4             | —    | 6 1/16           | 1 1/16 | 5 11/16 |
| GUV4025   | 250                  | 2/0  | 4 1/2                 | 4     | 4             | —    | 6 1/16           | 1 1/16 | 5 11/16 |

\* For tin plating, add suffix P to Cat. No. Contact factory for price and availability.  
UL® does not list tin-plated bronze grounding devices.

## Ground Clamps

### Water Pipe Ground Clamps



| CAT. NO. | GROUND WIRE SIZE | WATER PIPE SIZE          |
|----------|------------------|--------------------------|
| 2-TB     | #6, #4, #2       | ½", ¾", 1" or rebar 4-10 |
| 3-TB     | #6, #4, #2       | 1¼", 1½" or 2"           |
| 4        | #6, #4, #2       | 2½", 3" or 3½"           |
| 5-TB     | #6, #4, #2       | 4", 4½" or 5"            |
| 6        | #6, #4, #2       | 6"                       |

Malleable iron. #6 – #2 AWG ground wire.



### Water Pipe Ground Clamps



| CAT. NO. | GROUND WIRE SIZE | WATER PIPE SIZE | CAT. NO. | GROUND WIRE SIZE | WATER PIPE SIZE |
|----------|------------------|-----------------|----------|------------------|-----------------|
| 3902     | #4-4/0 AWG       | ½"-1"           | 3902BU*  | #4-4/0 AWG       | ½"-1"           |
| 3903     | #4-4/0 AWG       | 1¼"-2"          | 3903BU*  | #4-4/0 AWG       | 1¼"-2"          |
| 3904     | #4-4/0 AWG       | 2½"-3½"         | 3904BU*  | #4-4/0 AWG       | 2½"-3½"         |
| 3905-TB  | #4-4/0 AWG       | 4"-5"           | 3905BU*  | #4-4/0 AWG       | 4"-5"           |
| 3906-TB  | #4-4/0 AWG       | 6"              | 3906BU*  | #4-4/0 AWG       | 6"              |
| 3907     | #4-4/0 AWG       | 8"              | 3907BU*  | #4-4/0 AWG       | 8"              |
| 3908     | #4-4/0 AWG       | 10"             | 3908BU*  | #4-4/0 AWG       | 10"             |
| 3909-TB  | #4-4/0 AWG       | 12"             | 3909BU*  | #4-4/0 AWG       | 12"             |

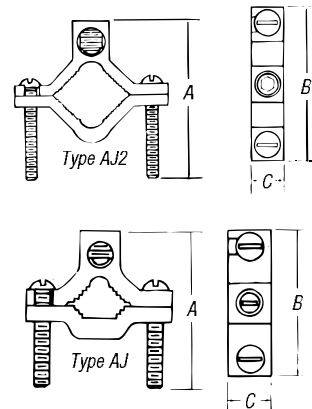
\* UL Listed for direct burial



For connecting grounding conductor to either steel or copper pipe, rod or tubing.

### Aluminum Water Pipe Clamp

- For use with copper or aluminum conductor
- Tin plated for corrosion resistance



| CAT. NO. | WATER PIPE SIZE | CONDUCTOR RANGE |          | DIMENSIONS (IN.) |    |     | STEEL CLAMP SCREW | ALUMINUM WIRE SCREW |
|----------|-----------------|-----------------|----------|------------------|----|-----|-------------------|---------------------|
|          |                 | MAX.            | MIN.     | A                | B  | C   |                   |                     |
| AJ       | ½-1             | 1/0 Str.        | #14 Sol. | 2½               | 2¼ | ¾   | ¼-20              | ¼-20 slot           |
| AJ-2     | 1½-2            | 250 kcmil       | #6       | 3¾               | 3¾ | 7/8 | ¼-18              | ¼-20 socket         |
| AJ-2124  | 2½-4            | 250 kcmil       | #6       | 5¾               | 6¾ | 1   | ¾-16              | ¼-20 socket         |

UL Listed for both copper and aluminum conductors to steel pipe and copper water tubing

## Ground Clamps

Economically priced clamps.

### Die-Cast Clamps

- Made of die-cast zinc alloy with zinc-plated screws
- Model BJA for use with armored cable



| CAT. NO. | WATER PIPE SIZE | CONDUCTOR RANGE |          |
|----------|-----------------|-----------------|----------|
|          |                 | MAX.            | MIN.     |
| BJ-1     | ½"–1"           | #2 str.         | #10 sol. |
| BJA*     | ½"–1"           | #6 AWG          | #8 AWG   |

\* Not UL Listed

Flexible copper strap makes alignment easy.

### Cast Bronze Clamps with Copper Strap

- For grounding rigid conduit systems
- Same features as "JP" clamp plus flexible copper strap
- Strap helps protect conduit system from water system vibrations
- Furnished with zinc-plated screws



| CAT. NO. | CONDUIT SIZE | WATER PIPE SIZE | CONDUCTOR RANGE |          |
|----------|--------------|-----------------|-----------------|----------|
|          |              |                 | MAX.            | MIN.     |
| JPS-12   | ½"           | ½"–1"           | #6 sol.         | #10 sol. |
| JPS-34   | ¾"           | ½"–1"           | 2/0 str.        | #10 sol. |
| JPS-1    | 1"           | ½"–1"           | 3/0 str.        | #10 sol. |

Add suffix C to Cat. No. to specify plating.

## Ground Clamps

Connects copper ground wire to water pipe or copper tubing.

### Cast Bronze Ground Clamps

- High-strength, high-conductivity copper alloy (over 80% copper)
- UL® 467 Listed for direct burial



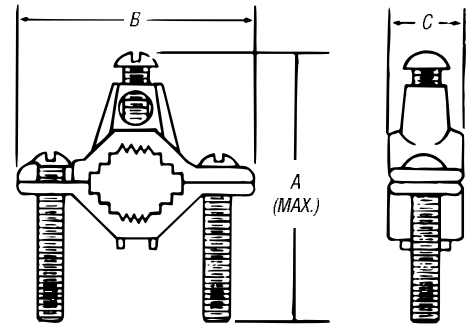
| CAT. NO. | WATER PIPE SIZE | CONDUCTOR RANGE  |
|----------|-----------------|------------------|
| JD       | ½"–1"           | #2 str.–#10 str. |
| J2D      | 1¼"–2"          | #2 str.–#10 str. |



For connecting grounding conductor to water pipe or copper tube.

### Type J — Cast Bronze Ground Clamps

- Cast of high-strength, highly conductive copper alloy
- Screws plated for corrosion resistance
- UL® Listed

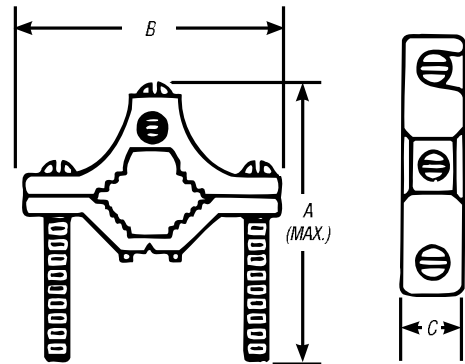


| CAT. NO. | WATER PIPE SIZE | CONDUCTOR RANGE |          | DIMENSIONS (IN.) |                                |                                |
|----------|-----------------|-----------------|----------|------------------|--------------------------------|--------------------------------|
|          |                 | MAX.            | MIN.     | A (MAX.)         | B                              | C                              |
| J        | ½"–1"           | #2 str.         | #10 sol. | 2¼               | 2 <sup>1</sup> / <sub>32</sub> | 2 <sup>3</sup> / <sub>32</sub> |
| J2BB     | 1¼"–2"          | #2 str.         | #10 sol. | 3¼               | 3½                             | 1 <sup>3</sup> / <sub>16</sub> |
| J2124    | 2½"–4"          | #4 str.         | #10 sol. | 6                | 6 <sup>5</sup> / <sub>16</sub> | 1                              |
| J6       | 4¼"–6"          | #4 str.         | #10 sol. | 7¼               | 8 <sup>5</sup> / <sub>16</sub> | 1                              |

## Ground Clamps

Similar to aluminum water pipe clamp but lighter in construction.

### Budget Price Cast Bronze Clamp



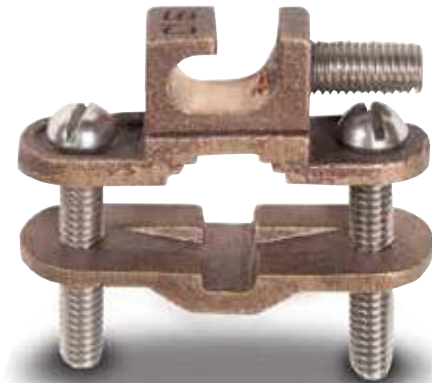
| CAT. NO. | WATER PIPE SIZE | CONDUCTOR RANGE |          | DIMENSIONS (IN.)               |                                |                                |
|----------|-----------------|-----------------|----------|--------------------------------|--------------------------------|--------------------------------|
|          |                 | MAX.            | MIN.     | A                              | B                              | C                              |
| JJR      | ½"–1"           | #4 Str.         | #10 Sol. | 2 <sup>1</sup> / <sub>32</sub> | 2 <sup>9</sup> / <sub>32</sub> | 1 <sup>1</sup> / <sub>32</sub> |

Add suffix C to Cat. No. to specify plating.

Lay-in feature reduces installation time for difficult bends or continuous loops of ground wire.

### Type JDLI — Direct-Burial Ground Clamp

- UL® Listed for direct burial in earth/concrete
- UL® Listed for connection to ground rod, pipe or rebar up to 1"
- Constructed from bronze alloy and high performance stainless steel bolts
- Designed for easy installation of difficult bends or continuous loops



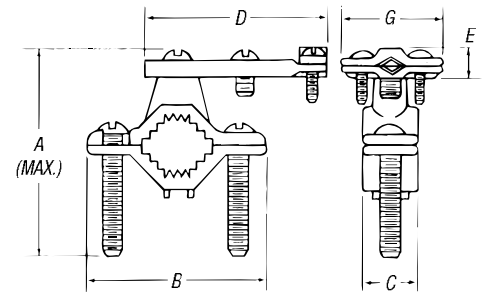
| CAT. NO. | PIPE SIZE | REBAR SIZE | GROUND ROD SIZE | CONDUCTOR RANGE  | MECH. CONN./SPLICE (UL LISTED) |
|----------|-----------|------------|-----------------|------------------|--------------------------------|
| JDLI     | ½"–1"     | ¾"–1"      | ¼"–1"           | #10 Sol.–#2 Str. | (2) #8 Sol.                    |

## Ground Clamps

For connecting armored cable to water pipe.

### Cast Bronze Clamp

- Clamping portion similar to standard “J” clamp
- Special pressure bar grips armor or outer cable insulation to reduce chance of grounding conductor being pulled out
- Furnished with zinc-plated screws



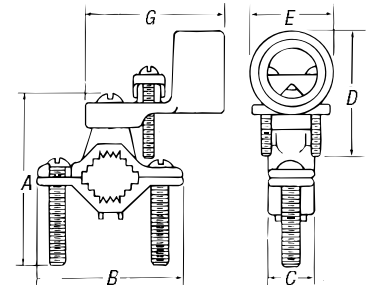
| CAT. NO. | WATER PIPE SIZE | CONDUCTOR RANGE |          | DIMENSIONS (IN.) |    |    |    |    |    |
|----------|-----------------|-----------------|----------|------------------|----|----|----|----|----|
|          |                 | MAX.            | MIN.     | A                | B  | C  | D  | E  | G  |
| JA       | ½"–1"           | #6 sol.         | #10 sol. | 2¼               | 2½ | 2⅜ | 2⅝ | 1⅜ | 1⅝ |
| JA-2     | 1¼"–2"          | #6 sol.         | #10 sol. | 3¼               | 3½ | 1⅜ | 2⅝ | 1⅜ | 1⅝ |
| JA-2124  | 2½"–4"          | #6 sol.         | #10 sol. | 6                | 6⅝ | 1  | 2⅝ | 1⅜ | 1⅝ |

Add suffix C to Cat. No. to specify plating.

For grounding rigid conduit systems.

### Cast Bronze Clamps for Conduit

- Continuity from rigid conduit system to ground provided by cast bronze threaded conduit hub
- Hub swings 360° for easy alignment
- Heavy brass washer protects clamped grounding conductor
- Furnished with zinc-plated screws
- Cast bronze pipe clamping portion identical to that used in “JA” clamp



| CAT. NO.  | CONDUIT SIZE | WATER PIPE SIZE | CONDUCTOR RANGE |          | DIMENSIONS (IN.) |    |    |    |    |    |
|-----------|--------------|-----------------|-----------------|----------|------------------|----|----|----|----|----|
|           |              |                 | MAX.            | MIN.     | A                | B  | C  | D  | E  | G  |
| JP-12     | ½            | ½"–1"           | #6 sol.         | #10 sol. | 2¼               | 2½ | 2⅜ | 1⅝ | 1  | 2½ |
| JP-212    | ½            | 1¼"–2"          | #6 sol.         | #10 sol. | 3¼               | 3½ | 1⅜ | 1⅝ | 1  | 2½ |
| JP-212412 | ½            | 2½"–4"          | #6 sol.         | #10 sol. | 6                | 6⅝ | 1  | 1⅝ | 1  | 2½ |
| JP-34     | ¾            | ½"–1"           | #2/0 str.       | #10 sol. | 2¼               | 2½ | 2⅜ | 2⅝ | 1¼ | 2⅝ |
| JP-234    | ¾            | 1¼"–2"          | #2/0 str.       | #10 sol. | 3¼               | 3½ | 1⅜ | 2⅝ | 1¼ | 2⅝ |
| JP-212434 | ¾            | 2½"–4"          | #2/0 str.       | #10 sol. | 6                | 6⅝ | 1  | 2⅝ | 1¼ | 2⅝ |
| JP-1      | 1            | ½"–1"           | #3/0 str.       | #10 sol. | 2¼               | 2½ | 2⅜ | 2⅝ | 1½ | 2⅝ |
| JP-21     | 1            | 1¼"–2"          | #3/0 str.       | #10 sol. | 3¼               | 3½ | 1⅜ | 2⅝ | 1½ | 2⅝ |
| JP-21241  | 1            | 2½"–4"          | #3/0 str.       | #10 sol. | 6                | 6⅝ | 1  | 2⅝ | 1½ | 2⅝ |

Add suffix C to Cat. No. to specify plating.



## Ground Clamps

Hub swings 360° for ease of alignment.

### Type JPT — Cast Bronze Clamps for Conduit

- Pipe clamping portion identical to “JA” clamp
- Pressure-bar type conduit hub adjusts to fit ½" or ¾" EMT or ½" rigid conduit
- Brass washer provides positive contact with grounding conductor
- Furnished with zinc-plated screws



| CAT. NO. | CONDUIT SIZE | PIPE SIZE | CONDUCTOR RANGE |          |
|----------|--------------|-----------|-----------------|----------|
|          |              |           | MAX.            | MIN.     |
| JPT      |              | ½" to 1"  |                 |          |
| JPT2     | ½" or ¾" EMT | 1¼" to 2" | #6 Sol.         | #10 Sol. |
| JPT4     | ½" Rigid     | 2½" to 4" |                 |          |

## Conduit Hubs

| CAT. NO. | GROUND WIRE SIZE AWG | CONDUIT SIZE |
|----------|----------------------|--------------|
| 3930     | #8 to #2             | ½" Conduit   |
| 3940     | #8 to #2             | ¾" Conduit   |
| 3950     | #8 to 3/0            | 1" Conduit   |
| 3951     | #8 to 4/0            | 1¼" Conduit  |

Material: Malleable iron



Provides positive connection between rigid conduit and water system.

### Type CH — Bronze Conduit Hubs

- Used in conjunction with “J” clamp
- Rugged cast-bronze threaded hub



| CAT. NO. | CONDUIT SIZE (IN.) | CONDUCTOR RANGE |          |
|----------|--------------------|-----------------|----------|
|          |                    | MAX.            | MIN.     |
| CH12     | ½                  | #6 Sol.         | #10 Sol. |
| CH34     | ¾                  | 2/0 Str.        | #10 Sol. |
| CH1BB    | 1                  | 3/0 Str.        | #10 Sol. |

## Ground Clamps

### Ground Clamp



| CAT. NO. | MATERIAL | WATER PIPE, COPPER TUBING SIZE | GRD. ROD SIZE |
|----------|----------|--------------------------------|---------------|
| 3826†    | M.I.     | ½", ¾"                         | ½"-1"         |
| 3846†    | Bronze   | ½", ¾"                         | ½"-1"         |
| 3849•    | Brass    | ½"-1" O.D.                     |               |
| 3840-TB† | M.I.     | ½", ¾" or 1"                   |               |

† For unarmored copper wire #6, #4.

• For copper and aluminum conductors; for 14 thru 2 cu. unarmored copper wire — corrosive and outdoor use. UL® approved for direct burial.

\* #6 thru #4 AWG. Not CSA Certified.



3826



3849



3840-TB

### Ground Clamps for K&L Grade Copper Tubing Only



| CAT. NO. | GROUND WIRE RANGE | WATER PIPE & GROUND ROD SIZE/DESC. |
|----------|-------------------|------------------------------------|
| 3844*    | #8-#4             | ½"-1"                              |
| 3888†    | #8-#4             | ½"-1" also rebar 4-10              |
| 961      | #8                | ¾"-1"                              |
| 962**    | #8                | ¾"-2"                              |
| 963**    | #8                | ¾"-3"                              |

| CAT. NO. | DESCRIPTION/CABLE SIZE                     |
|----------|--|
| 31215    | Strain-Relief Grounding Lug, #6-#2         |
| 31216    | Grounding Clamp, 1" Hook-Type, #6-#2       |
| 31253    | Grounding Clamp, 1-½" Hook-Type, #6-#2     |
| 31217    | Ground Clamp, 1" Straight-Type, #6-#2      |
| 31224    | Grounding Clamp, 1-½" Straight-Type, #6-#2 |
| 31230    | Wing Screw only                            |

\* With steel screws.

\*\* With bronze screws, not CSA Certified — or UL® Listed.

† UL® approved for direct burial. Silicon bronze screws.



3844  
For armored and unarmored wire



31215  
Disconnect static ground clamp and lug, straight-type (cable not supplied), UL not applicable



961  
For radio, motor frame and equipment grounding

### Cable Tray Ground Clamp

**Material:** Malleable iron

**Standard Finish:** Zinc plated



| CAT. NO. | DESCRIPTION                                |
|----------|--|
| 10105*   | For Single Conductors #4 sol. to 2/0 str.  |
| 10109**  | For Single Conductors 2/0 sol. to 4/0 str. |

\* UL® Listed #4 to 2/0 AWG copper.

\*\* UL® Listed 2/0 to 4/0 AWG copper/aluminum.

CSA File No. 2884.





## Ground Clamps

For aluminum and steel cable trays with regular or reinforced flanges.

### Tray Clamps

- Serrations and biting teeth on clamping saddle provide a high-quality bond between conduit and clamp
- Can be clamped to any position in a 90° arc
- Hardened steel screws bite into tray and provide positive bond
- Malleable iron hub and steel U-bolt accept conduit from any angle



| CAT. NO. | CLAMP TYPE | CONDUIT SIZE |
|----------|------------|--------------|
| 6209     | Swivel     | ½"–¾"        |
| 6210     | Straight   | ½"–¾"        |
| 6211     | Swivel     | 1"–1¼"       |
| 6212     | Straight   | 1"–1¼"       |
| 6214     | Swivel     | 1½"–2"       |
| 6216     | Swivel     | 2½"–3"       |
| 6218     | Swivel     | 3½"–4"       |

Efficiently grounds trailer frames, cable trays, CATV and telephone pedestals.

### Beam Grounding Clamp

- Connects #6 to #14 solid copper conductor to metal frames where continuity of grounding can be assured
- 7/16" silicon bronze hex-head bolt installs with cam-wrench, socket or crescent wrench
- Tin-plated square-head bolt enables installation with pliers when tighter ground connection is needed
- Ground wire hole access from four directions minimizes need to bend ground wire
- Designed so ground wire may be installed on clamp prior to mounting clamp on metal frame, reducing installation time
- Beam and ground wire connection can be tightened separately with disconnecting integrity of ground circuit
- High-strength copper alloy (91% nom.) provides greater conductivity, durability and corrosion resistance without the need for plating
- High-strength anchoring bolt penetrates paint or metal oxide



| CAT. NO. | DESCRIPTION                       | CONDUCTOR SIZE (AWG) |
|----------|-----------------------------------|----------------------|
| TGC      | Square-Head Tin-Plated Steel Bolt | #6 to #14 sol.       |

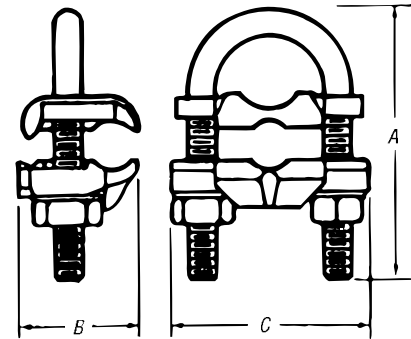
Listed to UL® 467

## Ground Clamps

Excellent for connecting multiple electrodes with a single cable, such as in substation grounding.

### Type GUW — U-Bolt Ground Clamps

- For connecting copper or copper-clad steel grounding conductor to ground rod or pipe
- Specially designed spacer provides proper alignment between cable and electrode and affords more positive contact area
- All components cast or forged from copper alloy
- UL® 467 Listed for direct burial



| CAT. NO.* | CONDUCTOR RANGE (CU) |      | NOMINAL ROD SIZE (IN) |       | IPS PIPE SIZE |      | DIMENSIONS (IN.) |        |         |
|-----------|----------------------|------|-----------------------|-------|---------------|------|------------------|--------|---------|
|           | MAX.                 | MIN. | MAX.                  | MIN.  | MAX.          | MIN. | A                | B      | C       |
| GUV584    | 4                    | 8    | 3/4                   | 5/8   | 3/8           | —    | 2 1/16           | 1 1/16 | 2 1/4   |
| GUV5821   | 2/0                  | 4    | 3/4                   | 5/8   | 3/8           | —    | 2 1/16           | 1 1/16 | 2 1/4   |
| GUV5825   | 250                  | 2/0  | 3/4                   | 5/8   | 3/8           | —    | 2 1/16           | 1 1/16 | 2 1/4   |
| GUV784    | 4                    | 8    | 1                     | 7/8   | 3/4           | 1/2  | 2 3/4            | 1 1/16 | 2 5/8   |
| GUV7821   | 2/0                  | 4    | 1                     | 7/8   | 3/4           | 1/2  | 2 3/4            | 1 1/16 | 2 5/8   |
| GUV7825   | 250                  | 2/0  | 1                     | 7/8   | 3/4           | 1/2  | 2 3/4            | 1 1/16 | 2 5/8   |
| GUV1184   | 4                    | 8    | 1 1/4                 | 1 1/8 | 1             | —    | 3 1/16           | 1 1/16 | 2 3/4   |
| GUV11821  | 2/0                  | 4    | 1 1/4                 | 1 1/8 | 1             | —    | 3 1/16           | 1 1/16 | 2 3/4   |
| GUV1384   | 4                    | 8    | 1 1/2                 | 1 1/8 | 1 1/4         | —    | 3 3/16           | 1 1/16 | 2 5/16  |
| GUV13821  | 2/0                  | 4    | 1 1/2                 | 1 1/8 | 1 1/4         | —    | 3 3/16           | 1 1/16 | 2 5/16  |
| GUV13825  | 250                  | 2/0  | 1 1/2                 | 1 1/8 | 1 1/4         | —    | 3 3/16           | 1 1/16 | 2 5/16  |
| GUV1584   | 4                    | 8    | 1 5/8                 | 1 3/8 | 1 1/2         | —    | 3 5/16           | 1 1/16 | 3 1/8   |
| GUV15821  | 2/0                  | 4    | 1 5/8                 | 1 3/8 | 1 1/2         | —    | 3 5/16           | 1 1/16 | 3 1/8   |
| GUV15825  | 250                  | 2/0  | 1 5/8                 | 1 3/8 | 1 1/2         | —    | 3 5/16           | 1 1/16 | 3 1/8   |
| GUV204    | 4                    | 8    | 2 3/8                 | 2     | 2             | —    | 4 1/16           | 1 1/16 | 3 11/16 |
| GUV2021   | 2/0                  | 4    | 2 3/8                 | 2     | 2             | —    | 4 1/16           | 1 1/16 | 3 11/16 |
| GUV2025   | 250                  | 2/0  | 2 3/8                 | 2     | 2             | —    | 4 1/16           | 1 1/16 | 3 11/16 |
| GUV21221  | 2/0                  | 4    | 2 5/8                 | 2 1/2 | 2 1/2         | —    | 4 3/16           | 1 1/16 | 4 3/8   |
| GUV21225  | 250                  | 2/0  | 2 5/8                 | 2 1/2 | 2 1/2         | —    | 4 3/16           | 1 1/16 | 4 3/8   |
| GUV3021   | 2/0                  | 4    | 3 1/2                 | 3     | 3             | —    | 5 1/16           | 1 1/16 | 4 13/16 |
| GUV3025   | 250                  | 2/0  | 3 1/2                 | 3     | 3             | —    | 5 1/16           | 1 1/16 | 4 13/16 |
| GUV31221  | 2/0                  | 4    | 4                     | 3 1/2 | 3 1/2         | —    | 6 1/16           | 1 1/16 | 5 1/2   |
| GUV4021   | 2/0                  | 4    | 4 1/2                 | 4     | 4             | —    | 6 3/16           | 1 1/16 | 5 11/16 |
| GUV4025   | 250                  | 2/0  | 4 1/2                 | 4     | 4             | —    | 6 3/16           | 1 1/16 | 5 11/16 |

\* For tin plating, add suffix P to Cat. No. Contact factory for price and availability.  
UL® does not list tin-plated bronze grounding devices.

## Ground Clamps

### Water Pipe Ground Clamps



| CAT. NO. | GROUND WIRE SIZE | WATER PIPE SIZE          |
|----------|------------------|--------------------------|
| 2-TB     | #6, #4, #2       | ½", ¾", 1" or rebar 4-10 |
| 3-TB     | #6, #4, #2       | 1¼", 1½" or 2"           |
| 4        | #6, #4, #2       | 2½", 3" or 3½"           |
| 5-TB     | #6, #4, #2       | 4", 4½" or 5"            |
| 6        | #6, #4, #2       | 6"                       |

Malleable iron. #6 – #2 AWG ground wire.



### Water Pipe Ground Clamps



| CAT. NO. | GROUND WIRE SIZE | WATER PIPE SIZE | CAT. NO. | GROUND WIRE SIZE | WATER PIPE SIZE |
|----------|------------------|-----------------|----------|------------------|-----------------|
| 3902     | #4-4/0 AWG       | ½"-1"           | 3902BU*  | #4-4/0 AWG       | ½"-1"           |
| 3903     | #4-4/0 AWG       | 1¼"-2"          | 3903BU*  | #4-4/0 AWG       | 1¼"-2"          |
| 3904     | #4-4/0 AWG       | 2½"-3½"         | 3904BU*  | #4-4/0 AWG       | 2½"-3½"         |
| 3905-TB  | #4-4/0 AWG       | 4"-5"           | 3905BU*  | #4-4/0 AWG       | 4"-5"           |
| 3906-TB  | #4-4/0 AWG       | 6"              | 3906BU*  | #4-4/0 AWG       | 6"              |
| 3907     | #4-4/0 AWG       | 8"              | 3907BU*  | #4-4/0 AWG       | 8"              |
| 3908     | #4-4/0 AWG       | 10"             | 3908BU*  | #4-4/0 AWG       | 10"             |
| 3909-TB  | #4-4/0 AWG       | 12"             | 3909BU*  | #4-4/0 AWG       | 12"             |

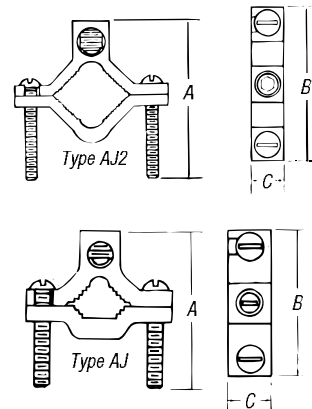
\* UL Listed for direct burial



For connecting grounding conductor to either steel or copper pipe, rod or tubing.

### Aluminum Water Pipe Clamp

- For use with copper or aluminum conductor
- Tin plated for corrosion resistance



| CAT. NO. | WATER PIPE SIZE | CONDUCTOR RANGE |          | DIMENSIONS (IN.) |    |     | STEEL CLAMP SCREW | ALUMINUM WIRE SCREW |
|----------|-----------------|-----------------|----------|------------------|----|-----|-------------------|---------------------|
|          |                 | MAX.            | MIN.     | A                | B  | C   |                   |                     |
| AJ       | ½-1             | 1/0 Str.        | #14 Sol. | 2½               | 2¼ | ¾   | ¼-20              | ¼-20 slot           |
| AJ-2     | 1½-2            | 250 kcmil       | #6       | 3¾               | 3¾ | 7/8 | ¾-18              | ¼-20 socket         |
| AJ-2124  | 2½-4            | 250 kcmil       | #6       | 5¾               | 6¾ | 1   | ¾-16              | ¼-20 socket         |

UL Listed for both copper and aluminum conductors to steel pipe and copper water tubing

## Ground Clamps

Economically priced clamps.

### Die-Cast Clamps

- Made of die-cast zinc alloy with zinc-plated screws
- Model BJA for use with armored cable



| CAT. NO. | WATER PIPE SIZE | CONDUCTOR RANGE |          |
|----------|-----------------|-----------------|----------|
|          |                 | MAX.            | MIN.     |
| BJ-1     | ½"–1"           | #2 str.         | #10 sol. |
| BJA*     | ½"–1"           | #6 AWG          | #8 AWG   |

\* Not UL Listed

Flexible copper strap makes alignment easy.

### Cast Bronze Clamps with Copper Strap

- For grounding rigid conduit systems
- Same features as "JP" clamp plus flexible copper strap
- Strap helps protect conduit system from water system vibrations
- Furnished with zinc-plated screws



| CAT. NO. | CONDUIT SIZE | WATER PIPE SIZE | CONDUCTOR RANGE |          |
|----------|--------------|-----------------|-----------------|----------|
|          |              |                 | MAX.            | MIN.     |
| JPS-12   | ½"           | ½"–1"           | #6 sol.         | #10 sol. |
| JPS-34   | ¾"           | ½"–1"           | 2/0 str.        | #10 sol. |
| JPS-1    | 1"           | ½"–1"           | 3/0 str.        | #10 sol. |

Add suffix C to Cat. No. to specify plating.

## Ground Clamps

Connects copper ground wire to water pipe or copper tubing.

### Cast Bronze Ground Clamps

- High-strength, high-conductivity copper alloy (over 80% copper)
- UL® 467 Listed for direct burial



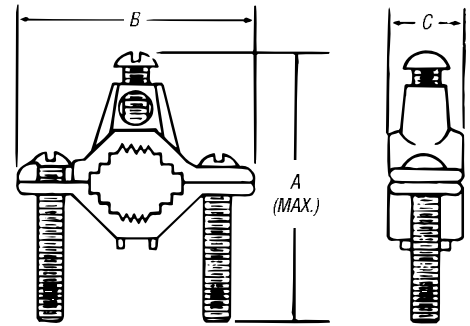
| CAT. NO. | WATER PIPE SIZE | CONDUCTOR RANGE  |
|----------|-----------------|------------------|
| JD       | ½"–1"           | #2 str.–#10 str. |
| J2D      | 1¼"–2"          | #2 str.–#10 str. |



For connecting grounding conductor to water pipe or copper tube.

### Type J — Cast Bronze Ground Clamps

- Cast of high-strength, highly conductive copper alloy
- Screws plated for corrosion resistance
- UL® Listed

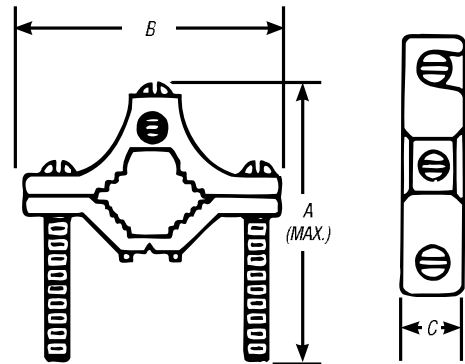


| CAT. NO. | WATER PIPE SIZE | CONDUCTOR RANGE |          | DIMENSIONS (IN.) |                                |                                |
|----------|-----------------|-----------------|----------|------------------|--------------------------------|--------------------------------|
|          |                 | MAX.            | MIN.     | A (MAX.)         | B                              | C                              |
| J        | ½"–1"           | #2 str.         | #10 sol. | 2¼               | 2 <sup>1</sup> / <sub>32</sub> | 2 <sup>3</sup> / <sub>32</sub> |
| J2BB     | 1¼"–2"          | #2 str.         | #10 sol. | 3¼               | 3½                             | 1 <sup>3</sup> / <sub>16</sub> |
| J2124    | 2½"–4"          | #4 str.         | #10 sol. | 6                | 6 <sup>5</sup> / <sub>16</sub> | 1                              |
| J6       | 4¼"–6"          | #4 str.         | #10 sol. | 7¼               | 8 <sup>5</sup> / <sub>16</sub> | 1                              |

## Ground Clamps

Similar to aluminum water pipe clamp but lighter in construction.

### Budget Price Cast Bronze Clamp



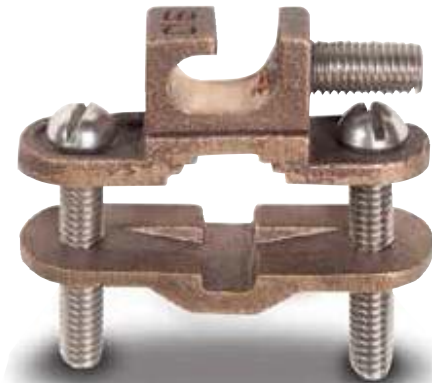
| CAT. NO. | WATER PIPE SIZE | CONDUCTOR RANGE |          | DIMENSIONS (IN.)               |                                |                                |
|----------|-----------------|-----------------|----------|--------------------------------|--------------------------------|--------------------------------|
|          |                 | MAX.            | MIN.     | A                              | B                              | C                              |
| JJR      | ½"-1"           | #4 Str.         | #10 Sol. | 2 <sup>1</sup> / <sub>32</sub> | 2 <sup>9</sup> / <sub>32</sub> | 1 <sup>1</sup> / <sub>32</sub> |

Add suffix C to Cat. No. to specify plating.

Lay-in feature reduces installation time for difficult bends or continuous loops of ground wire.

### Type JDLI — Direct-Burial Ground Clamp

- UL® Listed for direct burial in earth/concrete
- UL® Listed for connection to ground rod, pipe or rebar up to 1"
- Constructed from bronze alloy and high performance stainless steel bolts
- Designed for easy installation of difficult bends or continuous loops



| CAT. NO. | PIPE SIZE | REBAR SIZE | GROUND ROD SIZE | CONDUCTOR RANGE  | MECH. CONN./SPLICE (UL LISTED) |
|----------|-----------|------------|-----------------|------------------|--------------------------------|
| JDLI     | ½"-1"     | ¾"-1"      | ¼"-1"           | #10 Sol.-#2 Str. | (2) #8 Sol.                    |

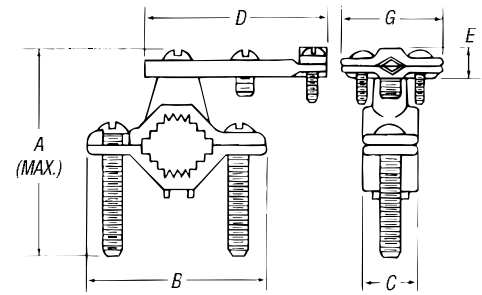


## Ground Clamps

For connecting armored cable to water pipe.

### Cast Bronze Clamp

- Clamping portion similar to standard “J” clamp
- Special pressure bar grips armor or outer cable insulation to reduce chance of grounding conductor being pulled out
- Furnished with zinc-plated screws



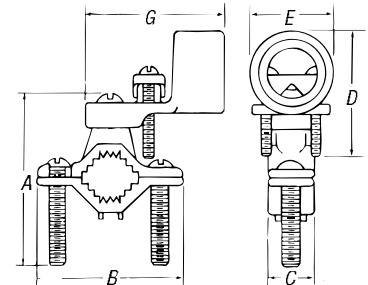
| CAT. NO. | WATER PIPE SIZE | CONDUCTOR RANGE |          | DIMENSIONS (IN.) |        |        |        |        |       |
|----------|-----------------|-----------------|----------|------------------|--------|--------|--------|--------|-------|
|          |                 | MAX.            | MIN.     | A                | B      | C      | D      | E      | G     |
| JA       | 1/2"-1"         | #6 sol.         | #10 sol. | 2 3/4            | 2 1/2  | 2 3/32 | 2 3/32 | 1 1/32 | 1 3/8 |
| JA-2     | 1 1/4"-2"       | #6 sol.         | #10 sol. | 3 3/4            | 3 1/2  | 1 3/16 | 2 3/32 | 1 1/32 | 1 3/8 |
| JA-2124  | 2 1/2"-4"       | #6 sol.         | #10 sol. | 6                | 6 5/16 | 1      | 2 3/32 | 1 1/32 | 1 3/8 |

Add suffix C to Cat. No. to specify plating.

For grounding rigid conduit systems.

### Cast Bronze Clamps for Conduit

- Continuity from rigid conduit system to ground provided by cast bronze threaded conduit hub
- Hub swings 360° for easy alignment
- Heavy brass washer protects clamped grounding conductor
- Furnished with zinc-plated screws
- Cast bronze pipe clamping portion identical to that used in “JA” clamp



| CAT. NO.  | CONDUIT SIZE | WATER PIPE SIZE | CONDUCTOR RANGE |          | DIMENSIONS (IN.) |        |        |        |       |        |
|-----------|--------------|-----------------|-----------------|----------|------------------|--------|--------|--------|-------|--------|
|           |              |                 | MAX.            | MIN.     | A                | B      | C      | D      | E     | G      |
| JP-12     | 1/2          | 1/2"-1"         | #6 sol.         | #10 sol. | 2 3/4            | 2 1/2  | 2 3/32 | 1 3/64 | 1     | 2 1/2  |
| JP-212    | 1/2          | 1 1/4"-2"       | #6 sol.         | #10 sol. | 3 3/4            | 3 1/2  | 1 3/16 | 1 3/64 | 1     | 2 1/2  |
| JP-212412 | 1/2          | 2 1/2"-4"       | #6 sol.         | #10 sol. | 6                | 6 5/16 | 1      | 1 3/64 | 1     | 2 1/2  |
| JP-34     | 3/4          | 1/2"-1"         | #2/0 str.       | #10 sol. | 2 3/4            | 2 1/2  | 2 3/32 | 2 5/16 | 1 1/4 | 2 3/16 |
| JP-234    | 3/4          | 1 1/4"-2"       | #2/0 str.       | #10 sol. | 3 3/4            | 3 1/2  | 1 3/16 | 2 3/16 | 1 1/4 | 2 3/16 |
| JP-212434 | 3/4          | 2 1/2"-4"       | #2/0 str.       | #10 sol. | 6                | 6 5/16 | 1      | 2 3/16 | 1 1/4 | 2 3/16 |
| JP-1      | 1            | 1/2"-1"         | #3/0 str.       | #10 sol. | 2 3/4            | 2 1/2  | 2 3/32 | 2 3/16 | 1 1/2 | 2 3/8  |
| JP-21     | 1            | 1 1/4"-2"       | #3/0 str.       | #10 sol. | 3 3/4            | 3 1/2  | 1 3/16 | 2 3/16 | 1 1/2 | 2 3/8  |
| JP-21241  | 1            | 2 1/2"-4"       | #3/0 str.       | #10 sol. | 6                | 6 5/16 | 1      | 2 3/16 | 1 1/2 | 2 3/8  |

Add suffix C to Cat. No. to specify plating.

## Ground Clamps

Hub swings 360° for ease of alignment.

### Type JPT — Cast Bronze Clamps for Conduit

- Pipe clamping portion identical to “JA” clamp
- Pressure-bar type conduit hub adjusts to fit ½" or ¾" EMT or ½" rigid conduit
- Brass washer provides positive contact with grounding conductor
- Furnished with zinc-plated screws



| CAT. NO. | CONDUIT SIZE | PIPE SIZE | CONDUCTOR RANGE |          |
|----------|--------------|-----------|-----------------|----------|
|          |              |           | MAX.            | MIN.     |
| JPT      |              | ½" to 1"  |                 |          |
| JPT2     | ½" or ¾" EMT | 1¼" to 2" | #6 Sol.         | #10 Sol. |
| JPT4     | ½" Rigid     | 2½" to 4" |                 |          |

## Conduit Hubs

| CAT. NO. | GROUND WIRE SIZE AWG | CONDUIT SIZE |
|----------|----------------------|--------------|
| 3930     | #8 to #2             | ½" Conduit   |
| 3940     | #8 to #2             | ¾" Conduit   |
| 3950     | #8 to 3/0            | 1" Conduit   |
| 3951     | #8 to 4/0            | 1¼" Conduit  |

Material: Malleable iron



Provides positive connection between rigid conduit and water system.

### Type CH — Bronze Conduit Hubs

- Used in conjunction with “J” clamp
- Rugged cast-bronze threaded hub



| CAT. NO. | CONDUIT SIZE (IN.) | CONDUCTOR RANGE |          |
|----------|--------------------|-----------------|----------|
|          |                    | MAX.            | MIN.     |
| CH12     | ½                  | #6 Sol.         | #10 Sol. |
| CH34     | ¾                  | 2/0 Str.        | #10 Sol. |
| CH1BB    | 1                  | 3/0 Str.        | #10 Sol. |

## Ground Clamps

### Ground Clamp



| CAT. NO. | MATERIAL | WATER PIPE, COPPER TUBING SIZE | GRD. ROD SIZE |
|----------|----------|--------------------------------|---------------|
| 3826†    | M.I.     | ½", ¾"                         | ½"-1"         |
| 3846†    | Bronze   | ½", ¾"                         | ½"-1"         |
| 3849•    | Brass    | ½"-1" O.D.                     |               |
| 3840-TB† | M.I.     | ½", ¾" or 1"                   |               |

† For unarmored copper wire #6, #4.

• For copper and aluminum conductors; for 14 thru 2 cu. unarmored copper wire — corrosive and outdoor use. UL® approved for direct burial.

\* #6 thru #4 AWG. Not CSA Certified.



3826

3849



3840-TB

### Ground Clamps for K&L Grade Copper Tubing Only



| CAT. NO. | GROUND WIRE RANGE | WATER PIPE & GROUND ROD SIZE/ DESC. |
|----------|-------------------|-------------------------------------|
| 3844*    | #8-#4             | ½"-1"                               |
| 3888†    | #8-#4             | ½"-1" also rebar 4-10               |
| 961      | #8                | ¾"-1"                               |
| 962**    | #8                | ¾"-2"                               |
| 963**    | #8                | ¾"-3"                               |

| CAT. NO. | DESCRIPTION/CABLE SIZE                     |
|----------|--|
| 31215    | Strain-Relief Grounding Lug, #6-#2         |
| 31216    | Grounding Clamp, 1" Hook-Type, #6-#2       |
| 31253    | Grounding Clamp, 1-½" Hook-Type, #6-#2     |
| 31217    | Ground Clamp, 1" Straight-Type, #6-#2      |
| 31224    | Grounding Clamp, 1-½" Straight-Type, #6-#2 |
| 31230    | Wing Screw only                            |

\* With steel screws.

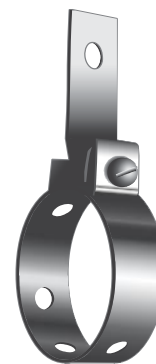
\*\* With bronze screws, not CSA Certified — or UL® Listed.

† UL® approved for direct burial. Silicon bronze screws.



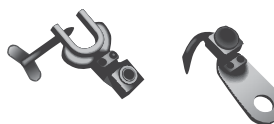
3844

For armored and unarmored wire



961

For radio, motor frame and equipment grounding



31215

Disconnect static ground clamp and lug, straight-type (cable not supplied), UL not applicable

### Cable Tray Ground Clamp

**Material:** Malleable iron

**Standard Finish:** Zinc plated



| CAT. NO. | DESCRIPTION                                |
|----------|--|
| 10105*   | For Single Conductors #4 sol. to 2/0 str.  |
| 10109**  | For Single Conductors 2/0 sol. to 4/0 str. |

\* UL® Listed #4 to 2/0 AWG copper.

\*\* UL® Listed 2/0 to 4/0 AWG copper/aluminum.

CSA File No. 2884.



## Ground Clamps

For aluminum and steel cable trays with regular or reinforced flanges.

### Tray Clamps

- Serrations and biting teeth on clamping saddle provide a high-quality bond between conduit and clamp
- Can be clamped to any position in a 90° arc
- Hardened steel screws bite into tray and provide positive bond
- Malleable iron hub and steel U-bolt accept conduit from any angle



| CAT. NO. | CLAMP TYPE | CONDUIT SIZE |
|----------|------------|--------------|
| 6209     | Swivel     | ½"–¾"        |
| 6210     | Straight   | ½"–¾"        |
| 6211     | Swivel     | 1"–1¼"       |
| 6212     | Straight   | 1"–1¼"       |
| 6214     | Swivel     | 1½"–2"       |
| 6216     | Swivel     | 2½"–3"       |
| 6218     | Swivel     | 3½"–4"       |

Efficiently grounds trailer frames, cable trays, CATV and telephone pedestals.

### Beam Grounding Clamp

- Connects #6 to #14 solid copper conductor to metal frames where continuity of grounding can be assured
- 7/16" silicon bronze hex-head bolt installs with cam-wrench, socket or crescent wrench
- Tin-plated square-head bolt enables installation with pliers when tighter ground connection is needed
- Ground wire hole access from four directions minimizes need to bend ground wire
- Designed so ground wire may be installed on clamp prior to mounting clamp on metal frame, reducing installation time
- Beam and ground wire connection can be tightened separately with disconnecting integrity of ground circuit
- High-strength copper alloy (91% nom.) provides greater conductivity, durability and corrosion resistance without the need for plating
- High-strength anchoring bolt penetrates paint or metal oxide



| CAT. NO. | DESCRIPTION                       | CONDUCTOR SIZE (AWG) |
|----------|-----------------------------------|----------------------|
| TGC      | Square-Head Tin-Plated Steel Bolt | #6 to #14 sol.       |

Listed to UL® 467