

## DESCRIPTION

The H27ICT housing is designed for use in shallow ceilings where 2" x 6" joist construction is used. The wide variety of trims available allows a number of different lighting effects to be created with one basic housing.

## APPLICATION

The H27ICT is designed for shallow ceilings where insulation is present.

## DESIGN FEATURES

### A...Housing

Aluminum housing for greater heat dissipation.

### B...Socket Plate

Fixed socket plate for consistent lamp position

### C...Plaster Frame

Housing adjusts in plaster frame 1 3/8" to accommodate different ceiling thicknesses.

### D...Junction Box

U.L. listed for through branch circuit wiring. Positioned to accommodate straight conduit runs. Seven conduit knockouts are uniform 1/2" size with true pryout slots. Four Romex pryouts with integral strain relief also included.

### E...GOT NAIL! Pass-N-Thru™ Bar Hangers

Bar Hanger Features include:

- Pre-installed nail easily installs in regular lumber, engineered lumber and laminated beams
- Safety and guidance system prevents snagging, ensures smooth straight nail penetration and allows bar hangers to be easily removed if necessary.
- Automatic levelling flange aligns the housing and lets you hold the housing in place with one hand while driving nails
- Housing can be positioned at any point within 24" joist span
- Score lines allow "toolless" shortening for 12" joists
- Bar hangers may be repositioned 90°
- Bar hangers do not need to be removed from frame for shortening
- Integral T-bar clips snaps onto T-bars - no additional clips required

### F...Socket

Porcelain socket with nickel plated brass screw shell.

### G...Thermal Protector

Integral Thermal Protector deactivates fixture if an incorrect lamp is used or if ceiling insulation material is not applied correctly.

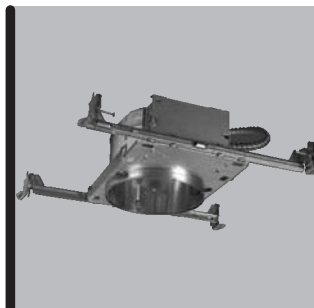
### Labels

- UL Listed for Damp Location
- UL listed for Feed Through
- UL listed for Direct Contact with Insulation and combustible material
- CSA Certified

Meets following requirements:

- State of California Title 24

Catalog #	Type
Project	
Comments	
Prepared by	Date



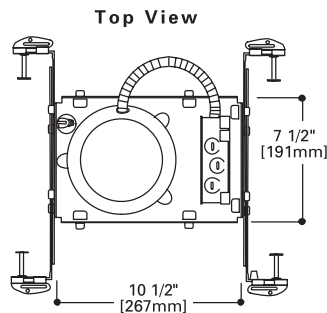
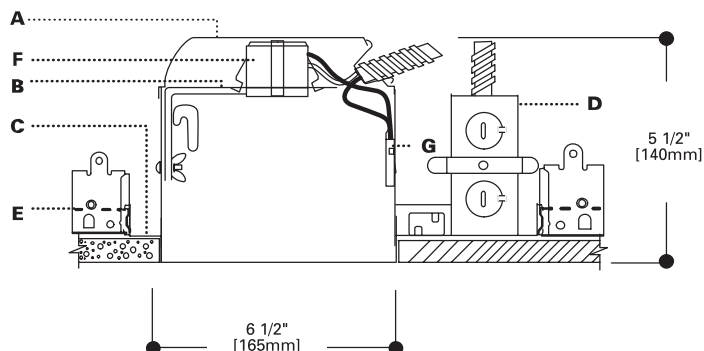
## H27ICT

### 6" Insulated Ceiling Recessed Housing

6" TRIMS

FOR USE IN INSULATED CEILINGS

FOR USE IN SHALLOW CEILINGS



### UPGRADE FEATURES:

- SLIDE-N-SIDE™ JUNCTION BOX
- GOT NAIL!™ BAR HANGERS
- PASS-N-THRU™ BAR HANGERS
- REGRESSED LOCKING SCREW
- HALO ID ON PLASTER FRAME

Ordering Information on reverse.

## TRIMS

## ORDERING INFORMATION

SAMPLE NUMBER: H271CT-426RG

Order housing, trim and accessories separately.

## Housing

## Trims

## Accessories

H271CT=6" Insulated Ceiling  
Shallow Housing

## REFLECTORS



426

**Specular Reflector Cone**  
**75W PAR30, 65W BR30,**  
**65W PAR30L, 50W PAR30**  
 426=Specular Clear  
 426H=haze  
 426RG=Residential Gold  
 426CG=Champagne Gold  
 426MB=Specular Black  
 OD: 7 1/4" (184mm)

## BAFFLES



310

**Baffle**  
**65W BR30, 75W PAR30L, 50W PAR30**  
 310P=Black Baffle  
 310W=White Baffle  
 OD: 7 1/4" (184mm)



312

**Baffle**  
**65W BR30, 50W PAR30**  
 312P=Black Baffle  
 312W=White Baffle  
 OD: 7 1/4" (184mm)

## ADJUSTABLES



77

**Eyeball**  
**50W R20, 50W PAR20**  
 77P=White Eyeball  
 OD: 8" (203mm)



78

**Eyeball - 30° Tilt**  
**75W R30, 75W PAR30L**  
 78P=White Eyeball  
 78SL=Silver Eyeball  
 78B=Brass Eyeball  
 78PB=Polished Brass Eyeball  
 78PAT=Polished Brass Eyeball  
 OD: 8" (203mm)



90

**Double Bubble - 60° Tilt**  
**150W PAR38**  
 90P=White Double Bubble Adjustable  
 OD: 8" (203mm)



420

**Coilex Regressed Eyeball**  
**50W PAR30, 50W PAR30L, 60W BR30**  
 420P=Black Baffle, White Eyeball  
 420PB=Black Baffle, Polished Brass  
 Eyeball  
 420W=White Baffle, White Eyeball  
 OD: 7 1/4" (184mm)

## OPEN



300

**Open**  
**65W BR30, 75W PAR30**  
 300P=White Open  
 OD: 7 1/4" (184mm)



328

**White Splay Trim**  
**65W BR30, 75W PAR30L, 50W PAR30**  
 328P=White Splay  
 OD: 7 3/4" (197mm)

## LENS



**Drop Opal with Reflector Cone**  
**40W A19**  
 171P=Drop Opal  
 171PS=Drop Opal Shower Light  
 OD: 7 1/4" (184mm)

## Metal Trim Rings

Compatible with 310, 312, 420, 426

TRM6P=White Metal

TRM6PB=Polished Brass

TRM6C=Chrome

TRM6MB=Black Metal

TRM6SL=Silver Metal

TRP7MB=Black Plastic

## Oversize Trim Rings

For use when ceiling opening is cut too large. Compatible with 310, 312, 420, 426

OT400P=9 1/4" White Metal

OT403P=8" White Plastic

## Step Down Transformer

Steps 277V line voltage down to 120V fixture operating voltage. 150VA max.

H277=150VA Max.

Note: Specifications and Dimensions subject to change without notice.

Visit our web site at [www.cooperlighting.com](http://www.cooperlighting.com)

## DESCRIPTION

The H27ICT housing is designed for use in shallow ceilings where 2" x 6" joist construction is used. The wide variety of trims available allows a number of different lighting effects to be created with one basic housing.

## APPLICATION

The H27ICT is designed for shallow ceilings where insulation is present.

## DESIGN FEATURES

### A...Housing

Aluminum housing for greater heat dissipation.

### B...Socket Plate

Fixed socket plate for consistent lamp position

### C...Plaster Frame

Housing adjusts in plaster frame 1 3/8" to accommodate different ceiling thicknesses.

### D...Junction Box

U.L. listed for through branch circuit wiring. Positioned to accommodate straight conduit runs. Seven conduit knockouts are uniform 1/2" size with true pryout slots. Four Romex pryouts with integral strain relief also included.

### E...GOT NAIL! Pass-N-Thru™ Bar Hangers

Bar Hanger Features include:

- Pre-installed nail easily installs in regular lumber, engineered lumber and laminated beams
- Safety and guidance system prevents snagging, ensures smooth straight nail penetration and allows bar hangers to be easily removed if necessary.
- Automatic levelling flange aligns the housing and lets you hold the housing in place with one hand while driving nails
- Housing can be positioned at any point within 24" joist span
- Score lines allow "toolless" shortening for 12" joists
- Bar hangers may be repositioned 90°
- Bar hangers do not need to be removed from frame for shortening
- Integral T-bar clips snaps onto T-bars - no additional clips required

### F...Socket

Porcelain socket with nickel plated brass screw shell.

### G...Thermal Protector

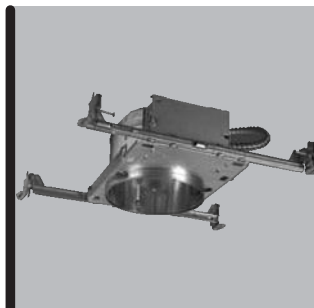
Integral Thermal Protector deactivates fixture if an incorrect lamp is used or if ceiling insulation material is not applied correctly.

### Labels

- UL Listed for Damp Location
- UL listed for Feed Through
- UL listed for Direct Contact with Insulation and combustible material
- CSA Certified

Meets following requirements:

- State of California Title 24



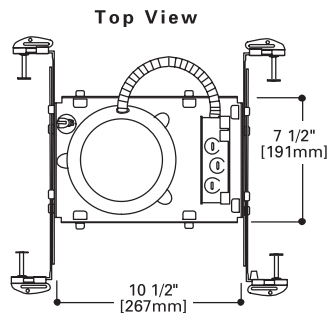
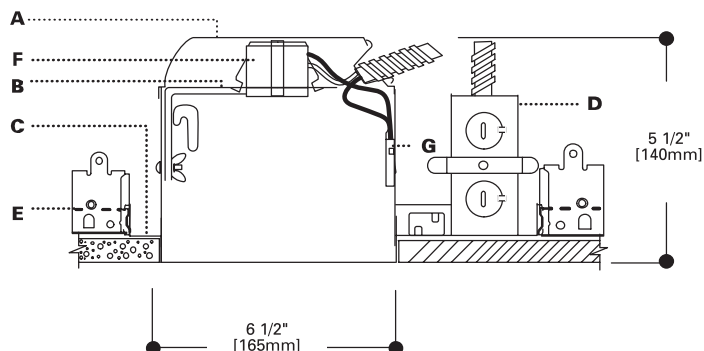
## H27ICT

### 6" Insulated Ceiling Recessed Housing

6" TRIMS

FOR USE IN INSULATED CEILINGS

FOR USE IN SHALLOW CEILINGS



### UPGRADE FEATURES:

- SLIDE-N-SIDE™ JUNCTION BOX
- GOT NAIL!™ BAR HANGERS
- PASS-N-THRU™ BAR HANGERS
- REGRESSED LOCKING SCREW
- HALO ID ON PLASTER FRAME

Ordering Information on reverse.

## TRIMS

## ORDERING INFORMATION

SAMPLE NUMBER: H271CT-426RG

Order housing, trim and accessories separately.

## Housing

## Trims

## Accessories

H271CT=6" Insulated Ceiling  
Shallow Housing

## REFLECTORS



426

**Specular Reflector Cone**  
**75W PAR30, 65W BR30,**  
**65W PAR30L, 50W PAR30**  
 426=Specular Clear  
 426H=haze  
 426RG=Residential Gold  
 426CG=Champagne Gold  
 426MB=Specular Black  
 OD: 7 1/4" (184mm)

## BAFFLES



310

**Baffle**  
**65W BR30, 75W PAR30L, 50W PAR30**  
 310P=Black Baffle  
 310W=White Baffle  
 OD: 7 1/4" (184mm)



312

**Baffle**  
**65W BR30, 50W PAR30**  
 312P=Black Baffle  
 312W=White Baffle  
 OD: 7 1/4" (184mm)

## ADJUSTABLES



77

**Eyeball**  
**50W R20, 50W PAR20**  
 77P=White Eyeball  
 OD: 8" (203mm)



78

**Eyeball - 30° Tilt**  
**75W R30, 75W PAR30L**  
 78P=White Eyeball  
 78SL=Silver Eyeball  
 78B=Brass Eyeball  
 78PB=Polished Brass Eyeball  
 78PAT=Polished Brass Eyeball  
 OD: 8" (203mm)



90

**Double Bubble - 60° Tilt**  
**150W PAR38**  
 90P=White Double Bubble Adjustable  
 OD: 8" (203mm)



420

**Coilex Regressed Eyeball**  
**50W PAR30, 50W PAR30L, 60W BR30**  
 420P=Black Baffle, White Eyeball  
 420PB=Black Baffle, Polished Brass  
 Eyeball  
 420W=White Baffle, White Eyeball  
 OD: 7 1/4" (184mm)

## OPEN



300

**Open**  
**65W BR30, 75W PAR30**  
 300P=White Open  
 OD: 7 1/4" (184mm)



328

**White Splay Trim**  
**65W BR30, 75W PAR30L, 50W PAR30**  
 328P=White Splay  
 OD: 7 3/4" (197mm)

## LENS



**Drop Opal with Reflector Cone**  
**40W A19**  
 171P=Drop Opal  
 171PS=Drop Opal Shower Light  
 OD: 7 1/4" (184mm)

## Metal Trim Rings

Compatible with 310, 312, 420, 426

TRM6P=White Metal

TRM6PB=Polished Brass

TRM6C=Chrome

TRM6MB=Black Metal

TRM6SL=Silver Metal

TRP7MB=Black Plastic

## Oversize Trim Rings

For use when ceiling opening is cut too large. Compatible with 310, 312, 420, 426

OT400P=9 1/4" White Metal

OT403P=8" White Plastic

## Step Down Transformer

Steps 277V line voltage down to 120V fixture operating voltage. 150VA max.

H277=150VA Max.

Note: Specifications and Dimensions subject to change without notice.

Visit our web site at [www.cooperlighting.com](http://www.cooperlighting.com)