

## DESCRIPTION

The H471ICAT is designed for insulated ceilings and can be in direct contact with ceiling insulation. This AIRTITE™ housing design prevents airflow between attic and living areas and saves on both heating and air conditioning costs. The 18W electronic compact fluorescent ballast meets FCC Title 47 CFR part 18 for Consumer equipment. The H471ICAT offers a wide choice of trim types including reflector, baffle, and lensed shower trims.

<b>Catalog #</b>		<b>Type</b>
<b>Project</b>		
<b>Comments</b>		<b>Date</b>
<b>Prepared by</b>		

## SPECIFICATION FEATURES

### Housing

Single wall aluminum housing. Openings are gasketed for AIRTITE installation. 5 1/2" height allows use in 2"x 6 joist construction. Housing adjusts for ceilings up to 1" thick.

### Plaster Frame

Includes regressed locking screw for hanger bars and cutouts for crimping hanger bars in position. AIRTITE gasket is pre-installed on frame.

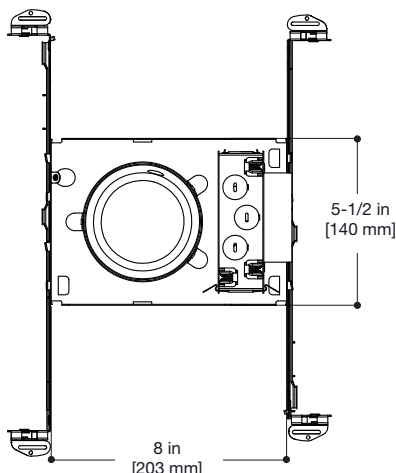
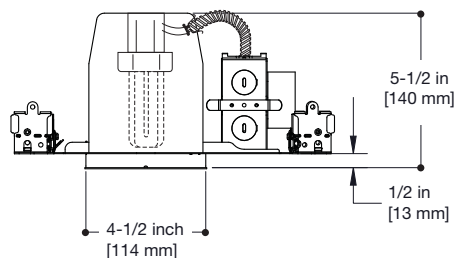
### Junction Box

- Listed for through branch circuit wiring
- Positioned to accommodate straight conduit runs
- Seven 1/2" trade size conduit knockouts with true pry-out slots
- Slide-N-Side™ connectors allow non-metallic sheathed cable to be installed without tools and without removing knockouts. Accepts a wider range of non-metallic sheathed cable – the standard cable types used in lighting for both U.S. and Canada.
- Allows wiring connections to be made outside the junction box
- Simply insert the cable directly into the trap after connections are made
- Accommodates the following standard non-metallic sheathed cable types: (US) #14/2, #14/3, #12/2, #12/3 (Canada) #14/2, #14/3, #12/2

### Bar Hangers

Bar Hanger Features include:

- Pre-installed nail easily installs in regular lumber, engineered lumber and laminated beams



- Safety and guidance system prevents snagging, ensures smooth straight nail penetration and allows bar hangers to be easily removed if necessary
- Automatic levelling flange aligns the housing and lets you hold the housing in place with one hand while driving nails
- Housing can be positioned at any point within 24" joist span
- Pass-N-Thru™ feature allows bar hangers to be shortened without removing from plaster frame
- Score lines allow "tool-less" shortening for 12" joists
- Integral T-bar clip snaps onto T-bars - no additional clips required

### Socket

GX24q-2 socket for one 18W TTT - Triple Twin Tube 4 pin lamp.

### Lamp

Compact Fluorescent lamp (by others).  
Generic 18 Watt Lamp Designations  
TTT-Triple Twin Tube (CFTR)

- CFTR18W/GX24q 2700K
- CFTR18W/GX24q 3000K
- CFTR18W/GX24q 3500K
- CFTR18W/GX24q 4100K

DTT-Double Twin Tube (CFQ) 18W lamps are not recommended with this fixture due to the longer overall length of 18W DTT lamps.

- 12,000 hour rated average life
- 82 CRI rated lamps provide excellent color and high visual comfort.

- Color temperature (warm to cool) options offer 2700K warm or 3000K medium warm incandescent-like light or 3500 medium cool or 4100 cool light.

### Electronic Ballast

Thermally protected, fused, 120 volt electronic ballast provides full light output and rated lamp life. Provides flicker free and noise free operation and starting. End of lamp life protection is standard. Meets FCC EMI/RFI Consumer Level limits.

### Labels

- UL Listed for Damp Location
- UL Listed wet location with select trims
- UL Listed for Direct Contact with Insulation and combustible material
- UL Listed for Feed Through
- UL/cUL Listed

### Compliance - IC/AIR-TITE

- State of California Title 24 - High Efficacy Compliant
- Washington State Energy Code
- New York State Energy Conservation Construction Code
- International Energy Conservation Code (IECC) - High Efficacy Compliant
- Certified AIR-TITE under ASTM-E283



## H471ICAT

**4 Inch  
Insulated Ceiling  
AIR-TITE™  
Recessed Housing  
18W TTT  
Compact Fluorescent**

FOR USE IN  
INSULATED CEILINGS  
FOR DIRECT CONTACT  
WITH INSULATION

Energy Data	
Min. Starting Temp 0°C	Sound Rating Class P
EMI/RFI Emissions FCC 47CFR Part 18 Consumer Limits	
Input Frequency 60 Hz	Power Factor > 0.50
THD < 150%	Input Voltage 120V
Crest Factor < 1.70	Ballast Factor 1.0
18W	Input Power 21W
	Input Current 0.34A

*airtite™*



**ORDERING INFORMATION**

**SAMPLE NUMBER: H471ICAT-955PS**  
 Order housing and trims separately.

**Housing**

**H471ICAT=** 4" Insulated Ceiling  
 18 Watt Compact  
 Fluorescent AIR-TITE™  
 Housing

**Trims**

**REFLECTORS**



**999**

**Specular Reflector Cone**

- 999P**=Specular Clear, White Trim Ring
  - 999W**=White Reflector, White Trim Ring
  - 999RG**=Residential Gold, white trim ring
  - 999H**=Haze Reflector, white trim ring
  - 999MB**=Specular Black Reflector, white trim ring
  - 999SN**=Satin Nickel Reflector with Satin Nickel Trim Ring
  - 999AC**=Antique Copper Reflector with Antique Copper Trim Ring
  - 999TBZ**=Tuscan Bronze Reflector with Tuscan Bronze Trim Ring
- OD: 5 1/16" (129mm)

**BAFFLES**



**953**

**Metal Baffle with Die Cast Trim Ring**

- 953P**=Black Baffle with White Trim Ring
- 953W**=White Baffle with White Trim Ring
- 953TBZ**=Tuscan Bronze Baffle with Tuscan Bronze Trim Ring
- 953AC**=Antique Copper Baffle with Antique Copper Trim Ring
- 953SN**=Satin Nickel Baffle with Satin Nickel Trim Ring

**OPEN**



**945**

**Metropolitan Ice Light**

- 945**=Clear Frosted
  - 945BLUE**=Blue Frosted
- OD: 5 5/16" (135mm)

**SHOWER LIGHT**



**952**

**Shower Light**

- 952PS**=Shower Light, White Trim Ring, Dome Lens
- OD: 5 1/16" (129mm)

## DESCRIPTION

The H471ICAT is designed for insulated ceilings and can be in direct contact with ceiling insulation. This AIRTITE™ housing design prevents airflow between attic and living areas and saves on both heating and air conditioning costs. The 18W electronic compact fluorescent ballast meets FCC Title 47 CFR part 18 for Consumer equipment. The H471ICAT offers a wide choice of trim types including reflector, baffle, and lensed shower trims.

<b>Catalog #</b>		<b>Type</b>
<b>Project</b>		
<b>Comments</b>		<b>Date</b>
<b>Prepared by</b>		

## SPECIFICATION FEATURES

### Housing

Single wall aluminum housing. Openings are gasketed for AIRTITE installation. 5 1/2" height allows use in 2"x 6 joist construction. Housing adjusts for ceilings up to 1" thick.

### Plaster Frame

Includes regressed locking screw for hanger bars and cutouts for crimping hanger bars in position. AIRTITE gasket is pre-installed on frame.

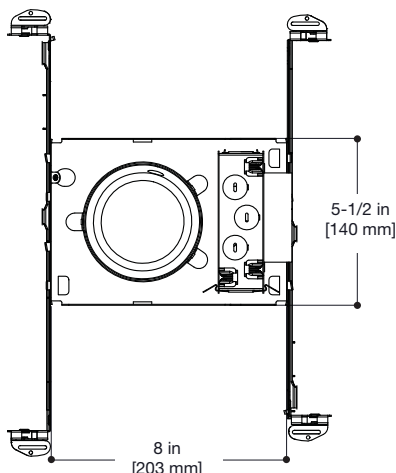
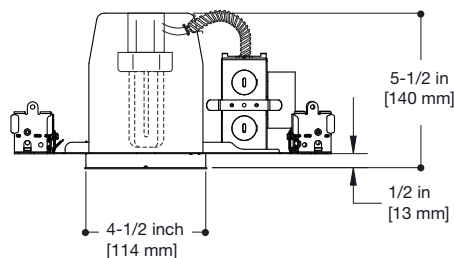
### Junction Box

- Listed for through branch circuit wiring
- Positioned to accommodate straight conduit runs
- Seven 1/2" trade size conduit knockouts with true pry-out slots
- Slide-N-Side™ connectors allow non-metallic sheathed cable to be installed without tools and without removing knockouts. Accepts a wider range of non-metallic sheathed cable – the standard cable types used in lighting for both U.S. and Canada.
- Allows wiring connections to be made outside the junction box
- Simply insert the cable directly into the trap after connections are made
- Accommodates the following standard non-metallic sheathed cable types: (US) #14/2, #14/3, #12/2, #12/3 (Canada) #14/2, #14/3, #12/2

### Bar Hangers

Bar Hanger Features include:

- Pre-installed nail easily installs in regular lumber, engineered lumber and laminated beams



- Safety and guidance system prevents snagging, ensures smooth straight nail penetration and allows bar hangers to be easily removed if necessary
- Automatic levelling flange aligns the housing and lets you hold the housing in place with one hand while driving nails
- Housing can be positioned at any point within 24" joist span
- Pass-N-Thru™ feature allows bar hangers to be shortened without removing from plaster frame
- Score lines allow "tool-less" shortening for 12" joists
- Integral T-bar clip snaps onto T-bars - no additional clips required

### Socket

GX24q-2 socket for one 18WTTT - Triple Twin Tube 4 pin lamp.

### Lamp

Compact Fluorescent lamp (by others).  
Generic 18 Watt Lamp Designations  
TTT-Triple Twin Tube (CFTR)

- CFTR18W/GX24q 2700K
- CFTR18W/GX24q 3000K
- CFTR18W/GX24q 3500K
- CFTR18W/GX24q 4100K

DTT-Double Twin Tube (CFQ) 18W lamps are not recommended with this fixture due to the longer overall length of 18W DTT lamps.

- 12,000 hour rated average life
- 82 CRI rated lamps provide excellent color and high visual comfort.

- Color temperature (warm to cool) options offer 2700K warm or 3000K medium warm incandescent-like light or 3500 medium cool or 4100 cool light.

### Electronic Ballast

Thermally protected, fused, 120 volt electronic ballast provides full light output and rated lamp life. Provides flicker free and noise free operation and starting. End of lamp life protection is standard. Meets FCC EMI/RFI Consumer Level limits.

### Labels

- UL Listed for Damp Location
- UL Listed wet location with select trims
- UL Listed for Direct Contact with Insulation and combustible material
- UL Listed for Feed Through
- UL/cUL Listed

### Compliance - IC/AIR-TITE

- State of California Title 24 - High Efficacy Compliant
- Washington State Energy Code
- New York State Energy Conservation Construction Code
- International Energy Conservation Code (IECC) - High Efficacy Compliant
- Certified AIR-TITE under ASTM-E283



## H471ICAT

**4 Inch  
Insulated Ceiling  
AIR-TITE™  
Recessed Housing  
18W TTT  
Compact Fluorescent**

FOR USE IN  
INSULATED CEILINGS  
FOR DIRECT CONTACT  
WITH INSULATION

Energy Data	
Min. Starting Temp 0°C	Sound Rating Class P
EMI/RFI Emissions FCC 47CFR Part 18 Consumer Limits	
Input Frequency 60 Hz	Power Factor > 0.50
THD < 150%	Input Voltage 120V
Crest Factor < 1.70	Ballast Factor 1.0
18W	Input Power 21W
	Input Current 0.34A



**ORDERING INFORMATION**

**SAMPLE NUMBER: H471ICAT-955PS**  
 Order housing and trims separately.

**Housing**

**H471ICAT=** 4" Insulated Ceiling  
 18 Watt Compact  
 Fluorescent AIR-TITE™  
 Housing

**Trims**

**REFLECTORS**



**999**

**Specular Reflector Cone**

- 999P**=Specular Clear, White Trim Ring
  - 999W**=White Reflector, White Trim Ring
  - 999RG**=Residential Gold, white trim ring
  - 999H**=Haze Reflector, white trim ring
  - 999MB**=Specular Black Reflector, white trim ring
  - 999SN**=Satin Nickel Reflector with Satin Nickel Trim Ring
  - 999AC**=Antique Copper Reflector with Antique Copper Trim Ring
  - 999TBZ**=Tuscan Bronze Reflector with Tuscan Bronze Trim Ring
- OD: 5 1/16" (129mm)

**BAFFLES**



**953**

**Metal Baffle with Die Cast Trim Ring**

- 953P**=Black Baffle with White Trim Ring
- 953W**=White Baffle with White Trim Ring
- 953TBZ**=Tuscan Bronze Baffle with Tuscan Bronze Trim Ring
- 953AC**=Antique Copper Baffle with Antique Copper Trim Ring
- 953SN**=Satin Nickel Baffle with Satin Nickel Trim Ring

**OPEN**



**945**

**Metropolitan Ice Light**

- 945**=Clear Frosted
  - 945BLUE**=Blue Frosted
- OD: 5 5/16" (135mm)

**SHOWER LIGHT**



**952**

**Shower Light**

- 952PS**=Shower Light, White Trim Ring, Dome Lens
- OD: 5 1/16" (129mm)