

# Twist-Lock® Devices

## 30A, 250V AC, 2 Pole, 3 Wire Grounding

### Single Flush Receptacle

# HUBBELL

#### Features

- Wire restraint recess for both back and side wiring, greatly reduces the possibility of loosening the terminal connection
- Face color coding by voltage facilitates locating and mating of proper devices
- All-brass mounting and grounding system provides a lower resistance ground path and greater resistance to corrosion than steel mounting systems

#### Ordering Information

Description	Device Color	UPC	Catalog Number
Nylon face, back and	Black	783585235998	HBL2620

#### Listings

Listed to UL 498  
Fed.Spec. W-C-596  
Certified to CSA C22.2 No.42

#### Specifications

Face	Nylon
Base	Glass-Reinforced thermoplastic polyester (RTP)
Contacts	Brass
Terminal Screws	#10 - 32 Brass
Mounting Strap	Brass

#### Performance

##### Electrical

Current Interrupting Certified for current interrupting at full rated current  
Dielectric Voltage Withstands 2,000V minimum

##### Mechanical

Terminal Accommodation #16 AWG - #8 AWG solid or stranded copper wire only.

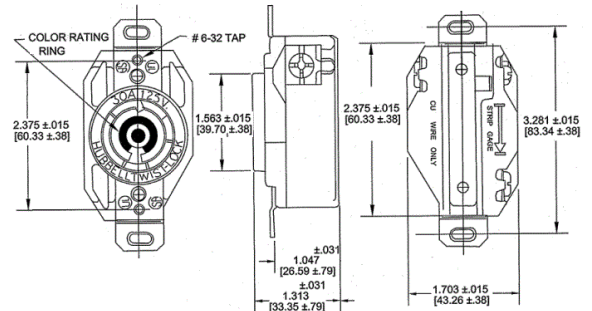
Terminal Identification Terminals identified in accordance with UL 498

##### Environmental

Flammability V2 or better per UL94/CSA 22.2 No.0.17  
Moisture Resistance IP20 Suitability  
Operating Temperatures Maximum Continuous 75°C; Minimum -40°C (w/o impact)



30A 250V  
NEMA L6-30R  
UL/CSA  
2 HP



#### Online Resources

Customer Use Drawing  
eCatalog  
Installation Instructions

#### Accessories

Plug	HBL2621
Wallplate or Weatherproof Cover	1.60" Opening
Switched Enclosure	SETL3

Dimensions in Inches (mm)

Hubbell Wiring Device-Kellems • Hubbell Incorporated (Delaware) • 40 Waterview Drive • Shelton, CT 06484

Phone (800) 288-6000 • Fax (800) 255-1031 • Specifications subject to change without notice.



# Twist-Lock® Devices

## 30A, 250V AC, 2 Pole, 3 Wire Grounding

### Single Flush Receptacle

# HUBBELL

#### Features

- Wire restraint recess for both back and side wiring, greatly reduces the possibility of loosening the terminal connection
- Face color coding by voltage facilitates locating and mating of proper devices
- All-brass mounting and grounding system provides a lower resistance ground path and greater resistance to corrosion than steel mounting systems

#### Ordering Information

Description	Device Color	UPC	Catalog Number
Nylon face, back and	Black	783585235998	HBL2620

#### Listings

Listed to UL 498  
Fed. Spec. W-C-596  
Certified to CSA C22.2 No.42

#### Specifications

Face	Nylon
Base	Glass-Reinforced thermoplastic polyester (RTP)
Contacts	Brass
Terminal Screws	#10 - 32 Brass
Mounting Strap	Brass

#### Performance

##### Electrical

Current Interrupting Certified for current interrupting at full rated current  
Dielectric Voltage Withstands 2,000V minimum

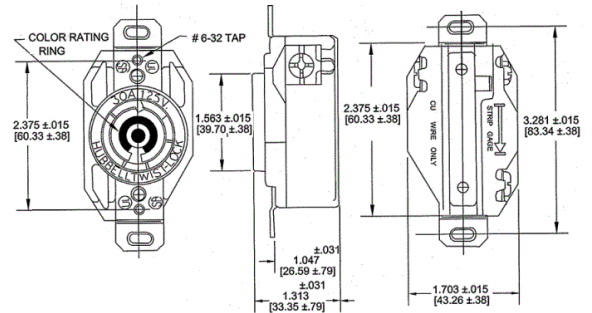
##### Mechanical

Terminal Accommodation #16 AWG - #8 AWG solid or stranded copper wire only.

Terminal Identification Terminals identified in accordance with UL 498

##### Environmental

Flammability V2 or better per UL94/CSA 22.2 No.0.17  
Moisture Resistance IP20 Suitability  
Operating Temperatures Maximum Continuous 75°C; Minimum -40°C (w/o impact)



#### Online Resources

Customer Use Drawing  
eCatalog  
Installation Instructions

#### Accessories

Plug	HBL2621
Wallplate or Weatherproof Cover	1.60" Opening
Switched Enclosure	SETL3

Dimensions in Inches (mm)

Hubbell Wiring Device-Kellems • Hubbell Incorporated (Delaware) • 40 Waterview Drive • Shelton, CT 06484

Phone (800) 288-6000 • Fax (800) 255-1031 • Specifications subject to change without notice.

