

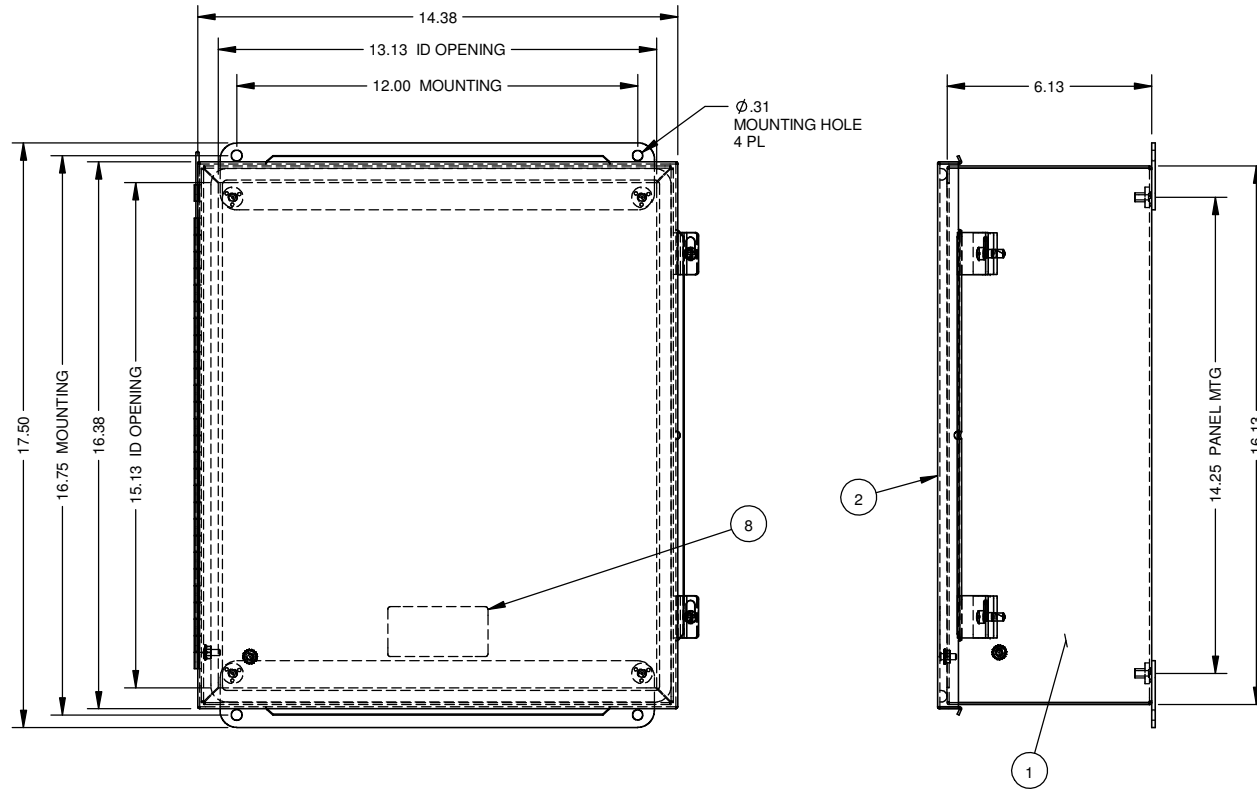


Catalog Number: HC16146JIC12
Item Description: N12 JIC HINGE CVR ENCL
UPC Code: 784572112629

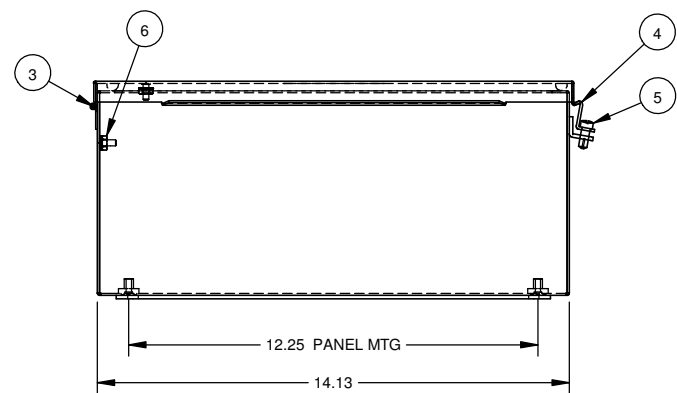
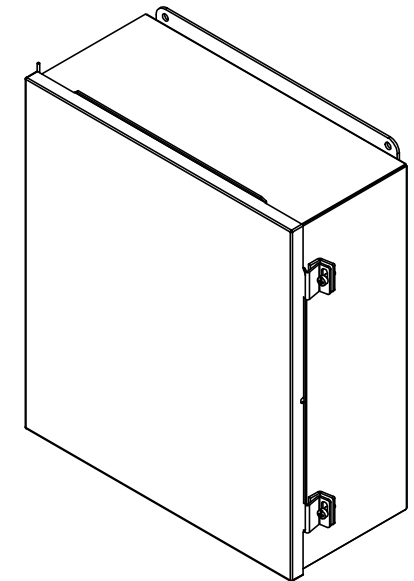
Brand Name: Milbank
Type: Hinge Cover
Special Features: Continuous Hinge with Removable Pin, 1 Door, Clamps and Screws on One Side, Collar Studs for Panels, External Mounting Feet
Application: Enclosure for Mounting Electrical Equipment
Standard: UL Listed
Number Of Outlet: 0
Material: Steel with Powder Coat Finish
Color: ANSI 61 Gray
Mounting: Wall Mount
NEMA Rating: Type 12



Utility requirements may vary. Always consult the serving utility for their requirements prior to ordering or installing this equipment. This product must always be installed by a licensed electrician. Installation of this equipment may require local electrical inspector approval.



NO.	QTY.	PART NO.	DESCRIPTION
1	1	504065	BACK WELDMENT
2	1	917664	FRONT ASSY W/ FIP GASKET
3	1	1003391	HINGE PIN
4	2	1000870	COVER CLAMP
5	2	1003387	SCREW, 1/4-28
6	2	709646	NUT, HEX 10-32 W/SEMS
7	1	1002646	BAG ASSY. (SCREWS)
8	1	1003115	LABEL (UL)



CATALOG NUMBER	MATERIAL	FINISH
HC16146JIC12	CRS	ANSI 61 GRAY
HC16146JIC4XS	304 STAINLESS	GRAINED
HC16146JIC4XZ	316 STAINLESS	GRAINED

NOTES:

- 1) PACK INSIDE ENCLOSURE (NOT SHOWN).
- 2. USE CARTON 705080 (3 PER) FOR SHIPPING.

Material:	SEE CHART		General Offices: Kansas City, MO		
Finish:	SEE CHART		Title:	HINGE COVER JIC 16 x 14 x 6, TYPE 4, 12 ENCLOSURE	
Tolerances: Unless Specified Otherwise X.X ±.1 X.XX ±.03 X.XXX ±.015 X* ±2°				Catalog No.:	SEE CHART
		Customer:		Drawing No.:	586-11
Scale:	NTS	Checked By:			
Drawn By:	DR	Approved By:	Date:	5-24-02	Sheet 1 of 1

E	5-24-02	ADDED GND STUD / NUT, CHGD FRONT - PMR 2819	DR				
---	---------	---	----	--	--	--	--

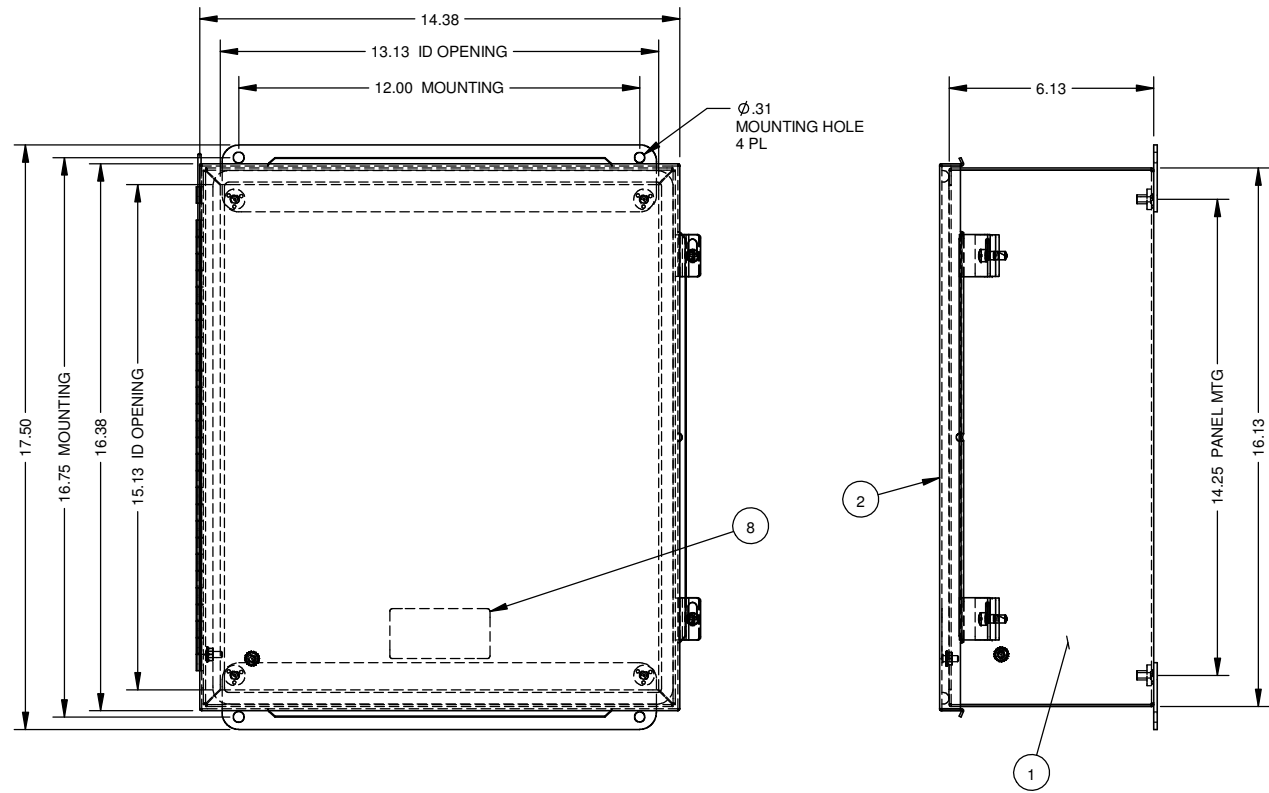


Catalog Number: HC16146JIC12
Item Description: N12 JIC HINGE CVR ENCL
UPC Code: 784572112629

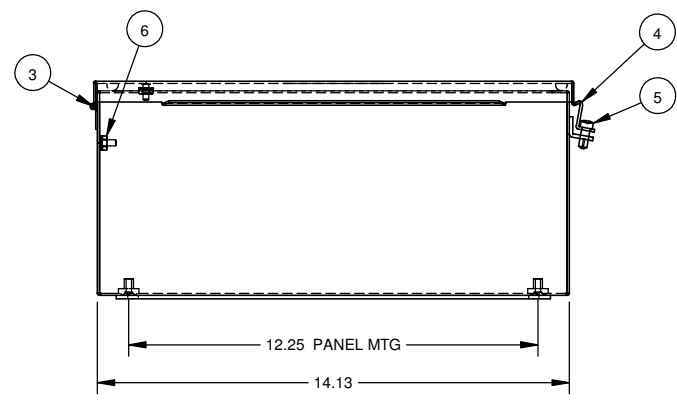
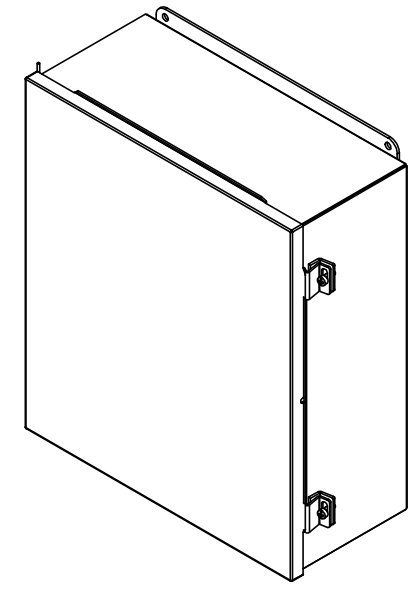
Brand Name: Milbank
Type: Hinge Cover
Special Features: Continuous Hinge with Removable Pin, 1 Door, Clamps and Screws on One Side, Collar Studs for Panels, External Mounting Feet
Application: Enclosure for Mounting Electrical Equipment
Standard: UL Listed
Number Of Outlet: 0
Material: Steel with Powder Coat Finish
Color: ANSI 61 Gray
Mounting: Wall Mount
NEMA Rating: Type 12



Utility requirements may vary. Always consult the serving utility for their requirements prior to ordering or installing this equipment. This product must always be installed by a licensed electrician. Installation of this equipment may require local electrical inspector approval.



NO.	QTY.	PART NO.	DESCRIPTION
1	1	504065	BACK WELDMENT
2	1	917664	FRONT ASSY W/ FIP GASKET
3	1	1003391	HINGE PIN
4	2	1000870	COVER CLAMP
5	2	1003387	SCREW, 1/4-28
6	2	709646	NUT, HEX 10-32 W/SEMS
7	1	1002646	BAG ASSY. (SCREWS)
8	1	1003115	LABEL (UL)



CATALOG NUMBER	MATERIAL	FINISH
HC16146JIC12	CRS	ANSI 61 GRAY
HC16146JIC4XS	304 STAINLESS	GRAINED
HC16146JIC4XZ	316 STAINLESS	GRAINED

- NOTES:
- 1. PACK INSIDE ENCLOSURE (NOT SHOWN).
 - 2. USE CARTON 705080 (3 PER) FOR SHIPPING.

Material:	SEE CHART		General Offices: Kansas City, MO		
Finish:	SEE CHART		Title:	HINGE COVER JIC 16 x 14 x 6, TYPE 4, 12 ENCLOSURE	
Tolerances: Unless Specified Otherwise X.X ±.1 X.XX ±.03 X.XXX ±.015 X* ±2°				Catalog No.:	SEE CHART
		Customer:		Drawing No.:	586-11
Scale:	NTS	Checked By:			
Drawn By:	DR	Approved By:	Date:	5-24-02	Sheet 1 of 1

E	5-24-02	ADDED GND STUD / NUT, CHGD FRONT - PMR 2819	DR				
---	---------	---	----	--	--	--	--