



Centium T5

CENTIUM ICN2S28N35I

Philips Advance Centium ballasts for T5 lamps at 120-277V are now available with our industry leading N-can at 9.5" x 1.3" x 1.0" or T-can at 14.17" x 1.18" x 1.06", which provides fixture manufacturers increased versatility in their newer generation fixture designs. These ballasts are compatible with all major energy-saving T5 linear lamps and have a variety of other features which makes them ideal for a variety of applications. The ballasts' programmed start ignition provides extended lamp life in frequent switching applications such as those where occupancy sensors are being used. They also feature lamp End-Of-Life (EOL) protection circuitry which safely removes power from the lamp at the end of lamp life.

Product data

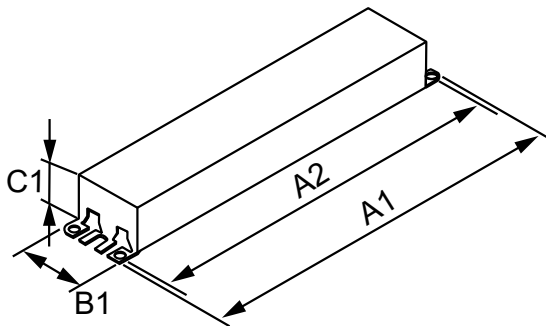
General Information		Input Current (Min)	
Lamp Type	F28T5		0.23 A
Number of Lamps	1/2 piece/unit	Input Power (Nom)	63-62 W
Ballast Type	Electronic Fluorescent	Rated Lamp Power	28 W
Base Model	ICN2S28N	Wiring	
Suitable For Outdoor Use	Yes	Color Input Terminals	No terminals
Automatic Restart	Yes	Color Output Terminals	No terminals
Operating and Electrical		Wire Striplength	0.50/0.375 mm
Input Voltage	120 to 277 V	Lamp Connection	Series
Input Frequency	50 to 60 Hz	Wire Length by Color	See data sheet
Total Harmonic Distortion USA	10 %	Wire Gauge (Nom)	18AWG mm
Ignition Method	Programmed Start	Wire Type	Solid
Crestfactor (Nom)	1.7	Remote Wiring Configuration Allowed	Yes
Ignition Time (Nom)	1.5 s	Tandem Wiring Configuration Allowed	Yes
Ballast Factor (Nom)	1.03	Through Wiring Configuration Allowed	Yes
Power Factor (Nom)	0.98	Max Ballast-Lamp Distance Remote Wiring	20'
Input Current (Max)	0.53 A	Max Ballast-Lamp Distance Tandem Wiring	Blue = 10'
		Max Ballast-Lamp Distance Through Wiring	Blue = 10'

Centium T5

Connector Type	No connector
Temperature	
T-Case Maximum (Nom)	70 °C
Mechanical and Housing	
Housing Material	Metal
Housing	N
Housing Dimensions	9.5" x 1.3" x 1.0"
Approval and Application	
EMC Immunity Standard	FCC Non-Consumer
Approval Marks	CSA certificate UL certificate CEC Listing FIDE Certificate NOM certificate RoHS Compliant

Hum And Noise Level	A
UL Recognized	No
Product Data	
Order product name	CENTIUM ICN2S28N35I
EAN/UPC - Product	781087080726
Order code	913710891601
Numerator - Quantity Per Pack	1
Numerator - Packs per outer box	10
Material Nr. (12NC)	913710891601
Net Weight (Piece)	373.000 g

Dimensional drawing



ELE BALLAST (2) F28T5 120-277V

Product	A1	A2	B1	C1
CENTIUM ICN2S28N35I	9.50 in	8.90 in	1.30 in	1.00 in





Centium T5

CENTIUM ICN2S28N35I

Philips Advance Centium ballasts for T5 lamps at 120-277V are now available with our industry leading N-can at 9.5" x 1.3" x 1.0" or T-can at 14.17" x 1.18" x 1.06", which provides fixture manufacturers increased versatility in their newer generation fixture designs. These ballasts are compatible with all major energy-saving T5 linear lamps and have a variety of other features which makes them ideal for a variety of applications. The ballasts' programmed start ignition provides extended lamp life in frequent switching applications such as those where occupancy sensors are being used. They also feature lamp End-Of-Life (EOL) protection circuitry which safely removes power from the lamp at the end of lamp life.

Product data

General Information	
Lamp Type	F28T5
Number of Lamps	1/2 piece/unit
Ballast Type	Electronic Fluorescent
Base Model	ICN2S28N
Suitable For Outdoor Use	Yes
Automatic Restart	Yes
Operating and Electrical	
Input Voltage	120 to 277 V
Input Frequency	50 to 60 Hz
Total Harmonic Distortion USA	10 %
Ignition Method	Programmed Start
Crestfactor (Nom)	1.7
Ignition Time (Nom)	1.5 s
Ballast Factor (Nom)	1.03
Power Factor (Nom)	0.98
Input Current (Max)	0.53 A

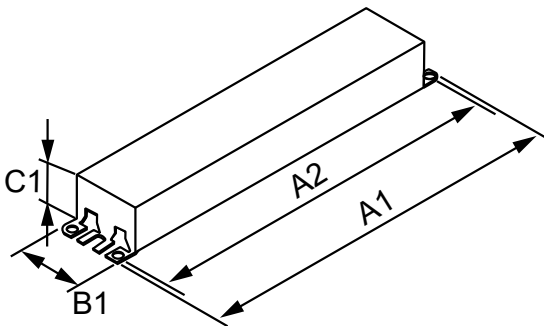
Input Current (Min)	0.23 A
Input Power (Nom)	63-62 W
Rated Lamp Power	28 W
Wiring	
Color Input Terminals	No terminals
Color Output Terminals	No terminals
Wire Striplength	0.50/0.375 mm
Lamp Connection	Series
Wire Length by Color	See data sheet
Wire Gauge (Nom)	18AWG mm
Wire Type	Solid
Remote Wiring Configuration Allowed	Yes
Tandem Wiring Configuration Allowed	Yes
Through Wiring Configuration Allowed	Yes
Max Ballast-Lamp Distance Remote Wiring	20'
Max Ballast-Lamp Distance Tandem Wiring	Blue = 10'
Max Ballast-Lamp Distance Through Wiring	Blue = 10'

Centium T5

Connector Type	No connector
Temperature	
T-Case Maximum (Nom)	70 °C
Mechanical and Housing	
Housing Material	Metal
Housing	N
Housing Dimensions	9.5" x 1.3" x 1.0"
Approval and Application	
EMC Immunity Standard	FCC Non-Consumer
Approval Marks	CSA certificate UL certificate CEC Listing FIDE Certificate NOM certificate RoHS Compliant

Hum And Noise Level	A
UL Recognized	No
Product Data	
Order product name	CENTIUM ICN2S28N35I
EAN/UPC - Product	781087080726
Order code	913710891601
Numerator - Quantity Per Pack	1
Numerator - Packs per outer box	10
Material Nr. (12NC)	913710891601
Net Weight (Piece)	373.000 g

Dimensional drawing



ELE BALLAST (2) F28T5 120-277V

Product	A1	A2	B1	C1
CENTIUM ICN2S28N35I	9.50 in	8.90 in	1.30 in	1.00 in

