



Centium T8HO

CENTIUM ICN2S86SC351

Centium T8 High Output Solution for Cold Environments

Product data

General Information	
Lamp Type	F96T8/HO
Number of Lamps	1/2 piece/unit
Ballast Type	Electronic Fluorescent
Base Model	ICN2S86SC
Suitable For Outdoor Use	Yes
Automatic Restart	Yes
Operating and Electrical	
Input Voltage	120 to 277 V
Input Frequency	50 to 60 Hz
Total Harmonic Distortion USA	10 %
Ignition Method	Programmed Start
Crestfactor (Nom)	1.6
Ignition Time (Nom)	1.5 s
Ballast Factor (Nom)	1.00
Power Factor (Nom)	0.99
Input Current (Max)	1.52 A
Input Current (Min)	0.65 A
Input Power (Nom)	182-178 W
Rated Lamp Power	86 W
Wiring	
Color Input Terminals	No terminals
Color Output Terminals	No terminals
Wire Striplength	0.50/0.375 mm

Lamp Connection	Series
Wire Length by Color	See data sheet
Wire Gauge (Nom)	18AWG mm
Wire Type	Solid
Remote Wiring Configuration Allowed	Yes
Tandem Wiring Configuration Allowed	Yes
Through Wiring Configuration Allowed	Yes
Max Ballast-Lamp Distance Remote Wiring	12'
Max Ballast-Lamp Distance Tandem Wiring	Blue = 12'
Max Ballast-Lamp Distance Through Wiring	Blue = 12'
Connector Type	No connector

Temperature	
T-Case Maximum (Nom)	70 °C

Mechanical and Housing	
Housing Material	Metal
Housing	SC
Housing Dimensions	9.5" x 1.7" x 1.18"

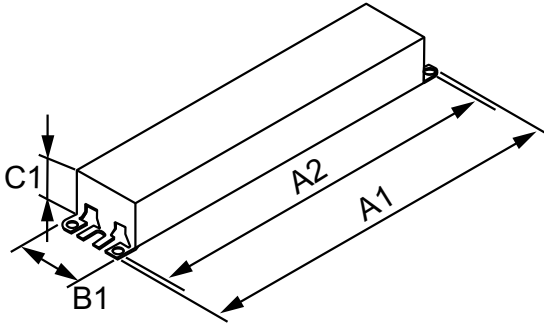
Approval and Application	
EMC Immunity Standard	FCC Non-Consumer
Approval Marks	CSA certificate UL certificate CEC Listing Circle E logo DOE RoHS Compliant
Hum And Noise Level	A

Centium T8HO

UL Recognized	No
Product Data	
Order product name	CENTIUM ICN2S86SC35I
EAN/UPC - Product	781087138458
Order code	913701264801

Numerator - Quantity Per Pack	1
Numerator - Packs per outer box	10
Material Nr. (12NC)	913701264801
Net Weight (Piece)	0.577 kg

Dimensional drawing



ELE BALLAST (2) F96T8/HO 120-277V

Product	A1	A2	B1	C1
CENTIUM ICN2S86SC35I	9.5 in	8.9 in	1.7 in	1.18 in

