

Beam Clamps

Type IS

Use:

Provides support for conduit hanging systems.

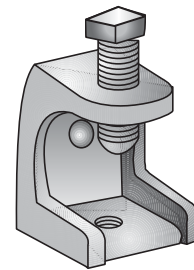
Material:

Malleable Iron clamp
Steel Screw, case hardened

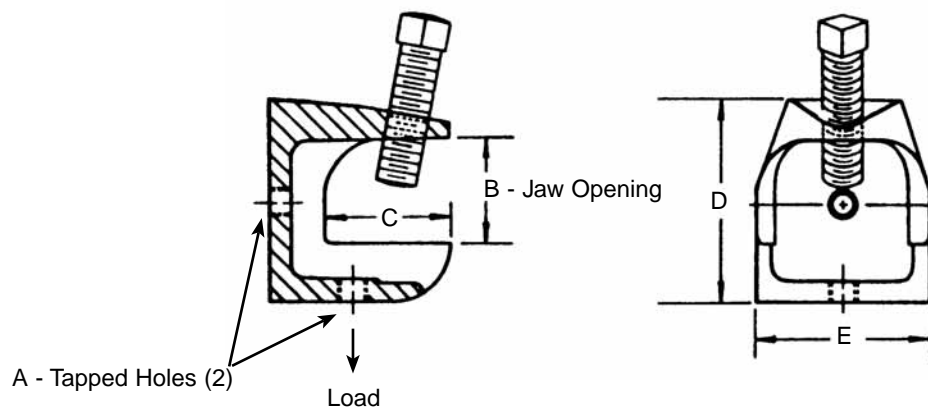
Finish:

Clamp - Hot Dip Galvanized
Screw - Zinc Electroplated

Catalog Number	A Tapped Holes	B Jaw Opening	Dimensions in Inches			Max. Load (lbs.)
			C	D	E	
IS-500	¼ - 20	1 ⁵ / ₁₆	7 ⁷ / ₈	1 ⁵ / ₈	1	335
IS-509	10 - 24	1 ⁵ / ₁₆	7 ⁷ / ₈	1 ⁵ / ₈	1	335
IS-501	5 ⁵ / ₁₆ - 18	1 ⁵ / ₁₆	1 ¹ / ₈	1 ¹³ / ₁₆	1 ¹ / ₂	525
IS-502	3 ³ / ₈ - 16	1	1 ³ / ₈	2 ¹ / ₁₆	2	750
IS-503	½ - 13	1 ¹ / ₈	1 ¹¹ / ₁₆	2 ¹ / ₄	2 ⁵ / ₈	900



Type IS



Beam Clamps

Type IS

Use:

Provides support for conduit hanging systems.

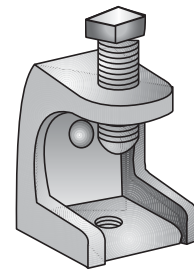
Material:

Malleable Iron clamp
Steel Screw, case hardened

Finish:

Clamp - Hot Dip Galvanized
Screw - Zinc Electroplated

Catalog Number	A Tapped Holes	B Jaw Opening	Dimensions in Inches			Max. Load (lbs.)
			C	D	E	
IS-500	¼ - 20	1 ⁵ / ₁₆	7 ⁷ / ₈	1 ⁵ / ₈	1	335
IS-509	10 - 24	1 ⁵ / ₁₆	7 ⁷ / ₈	1 ⁵ / ₈	1	335
IS-501	5 ⁵ / ₁₆ - 18	1 ⁵ / ₁₆	1 ¹ / ₈	1 ¹³ / ₁₆	1 ¹ / ₂	525
IS-502	3 ³ / ₈ - 16	1	1 ³ / ₈	2 ¹ / ₁₆	2	750
IS-503	½ - 13	1 ¹ / ₈	1 ¹¹ / ₁₆	2 ¹ / ₄	2 ⁵ / ₈	900



Type IS

