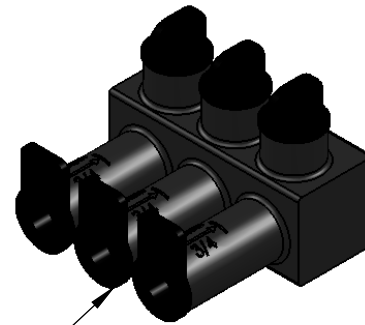
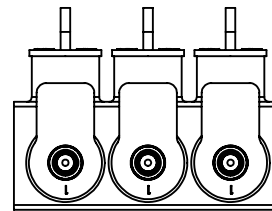
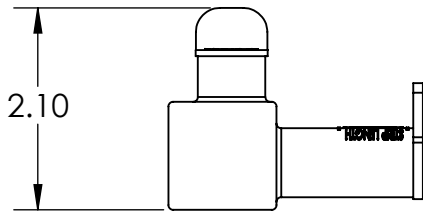


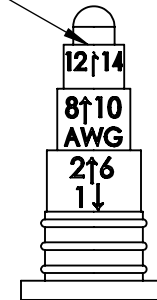
REMOVAL BE CAPS FOR
ACCESS TO 3/16 INTERNAL HEX
PRESSURE SCREWS



2/0 - #14 AWG
CONDUCTOR PORTS
ROCKET USED FOR #1-#14
DISCARD ROCKET FOR 1/0-2/0



CUT ROCKET AT
APPROPRIATE STEP
FOR WIRE SIZE
USED

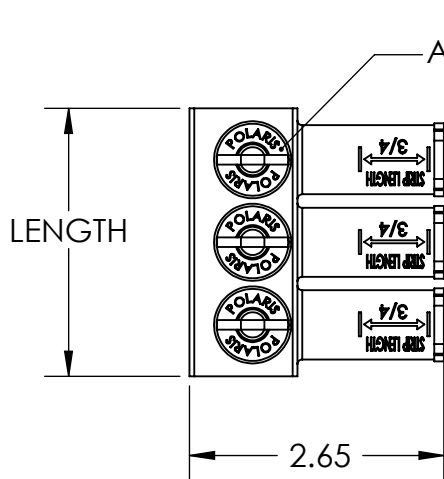


PART NO.	NO. OF COND. HOLES	LENGTH
ISPB2/0-2	2	1.93
ISPB2/0-3	3	2.79
ISPB2/0-4	4	3.65
ISPB2/0-6	6	5.37

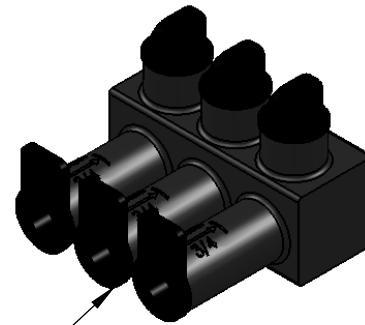
NOTES:

- DI-ELECTRIC SILICONE FILM ON ROCKET AND CAP FOR EASY ASSY/DISSY.
- PRE-FILLED W/ OXIDE INHIBITOR.
- SHIPPED IN SEALED BAG W/ INSTALL INSTRUCTIONS.

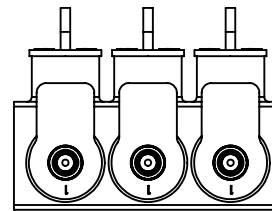
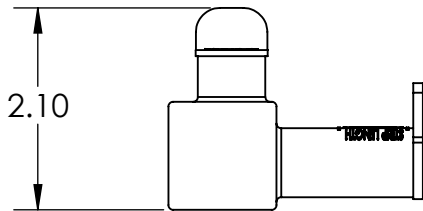
		POLARIS SALES . CO . INC	
PROPRIETARY AND CONFIDENTIAL		11625 PROSPEROUS DRIVE ODESSA, FL 33556	
THE INFORMATION CONTAINED IN THIS DRAWING IS THE SOLE PROPERTY OF POLARIS SALES CO. INC. ANY REPRODUCTION IN PART OR AS A WHOLE WITHOUT THE WRITTEN PERMISSION OF POLARIS SALES CO. INC. IS PROHIBITED.		TITLE: 2/0-#14 STREET LIGHT CONN.	
		DWG. NO. ISPB 2/0 Series	
DRAWN BY	L. HILL	DATE	4/3/2014
MATERIAL: N/A		SCALE: 1:1	SHEET: 1 OF 1



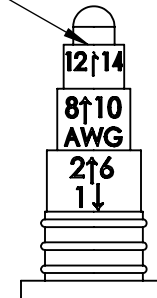
REMOVAL BE CAPS FOR
ACCESS TO 3/16 INTERNAL HEX
PRESSURE SCREWS



2/0 - #14 AWG
CONDUCTOR PORTS
ROCKET USED FOR #1-#14
DISCARD ROCKET FOR 1/0-2/0



CUT ROCKET AT
APPROPRIATE STEP
FOR WIRE SIZE
USED



PART NO.	NO. OF COND. HOLES	LENGTH
ISPB2/0-2	2	1.93
ISPB2/0-3	3	2.79
ISPB2/0-4	4	3.65
ISPB2/0-6	6	5.37

NOTES:

- DI-ELECTRIC SILICONE FILM ON ROCKET AND CAP FOR EASY ASSY/DISSY.
- PRE-FILLED W/ OXIDE INHIBITOR.
- SHIPPED IN SEALED BAG W/ INSTALL INSTRUCTIONS.

		POLARIS SALES . CO . INC	
PROPRIETARY AND CONFIDENTIAL		11625 PROSPEROUS DRIVE ODESSA, FL 33556	
THE INFORMATION CONTAINED IN THIS DRAWING IS THE SOLE PROPERTY OF POLARIS SALES CO. INC. ANY REPRODUCTION IN PART OR AS A WHOLE WITHOUT THE WRITTEN PERMISSION OF POLARIS SALES CO. INC. IS PROHIBITED.		TITLE: 2/0-#14 STREET LIGHT CONN.	
		DWG. NO. ISPB 2/0 Series	
DRAWN BY	L. HILL	DATE	4/3/2014
MATERIAL: N/A		SCALE: 1:1	SHEET: 1 OF 1