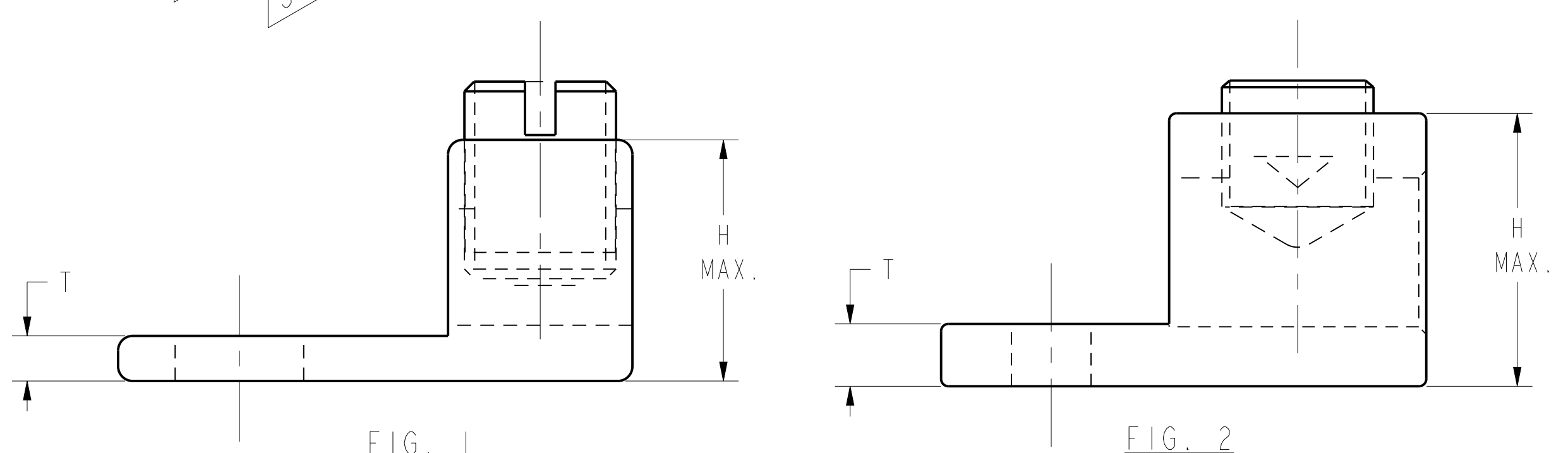
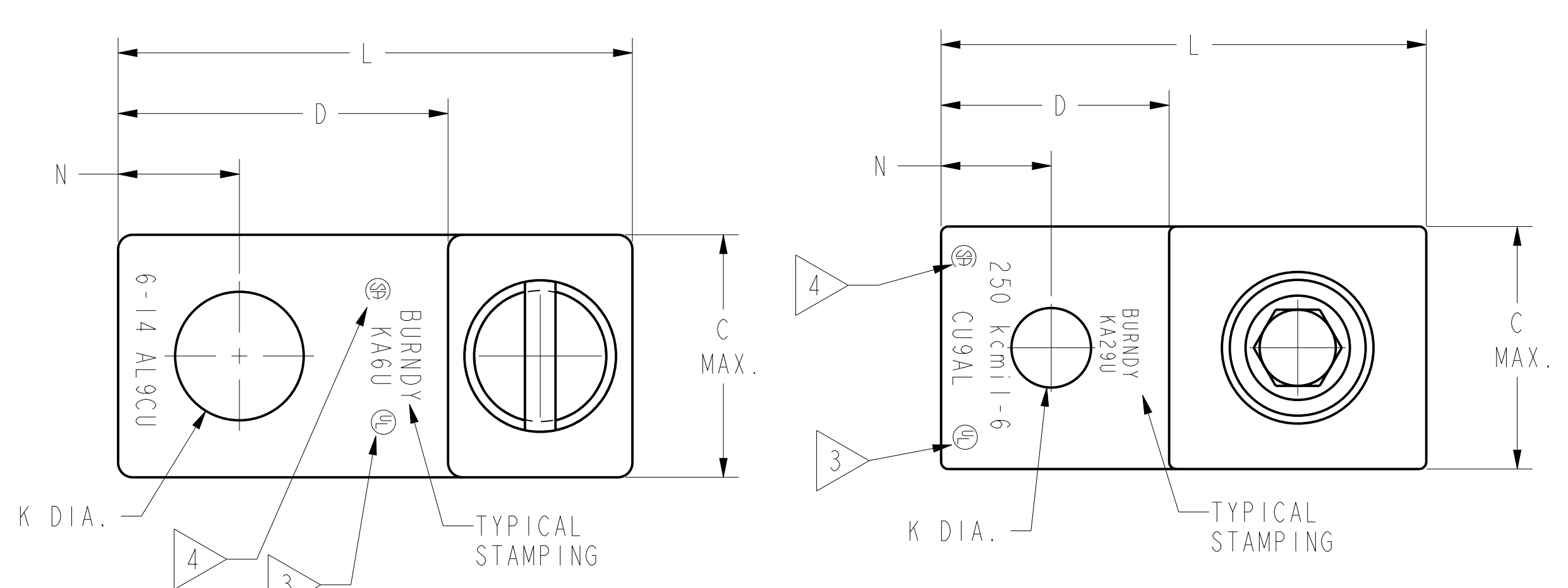
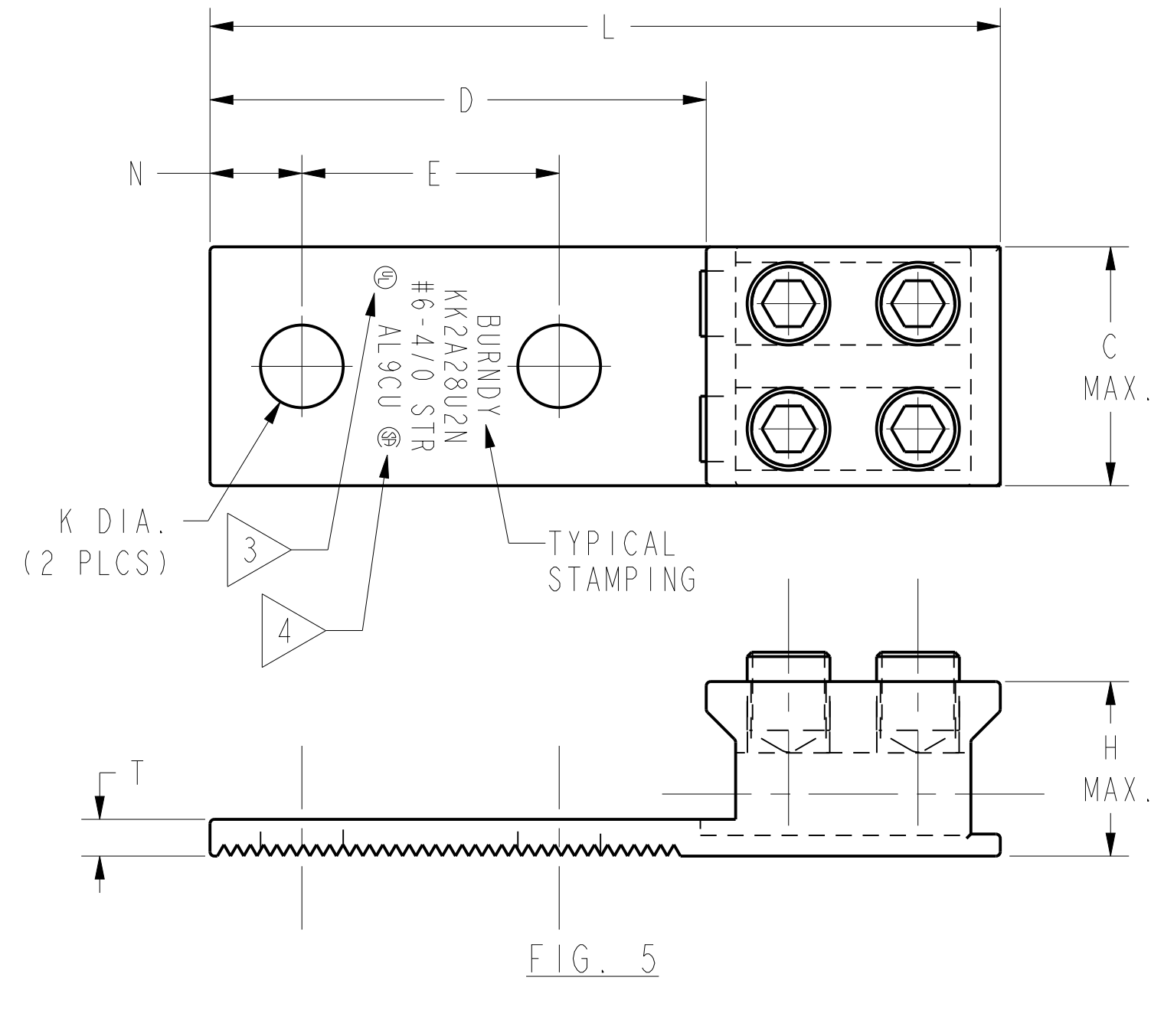
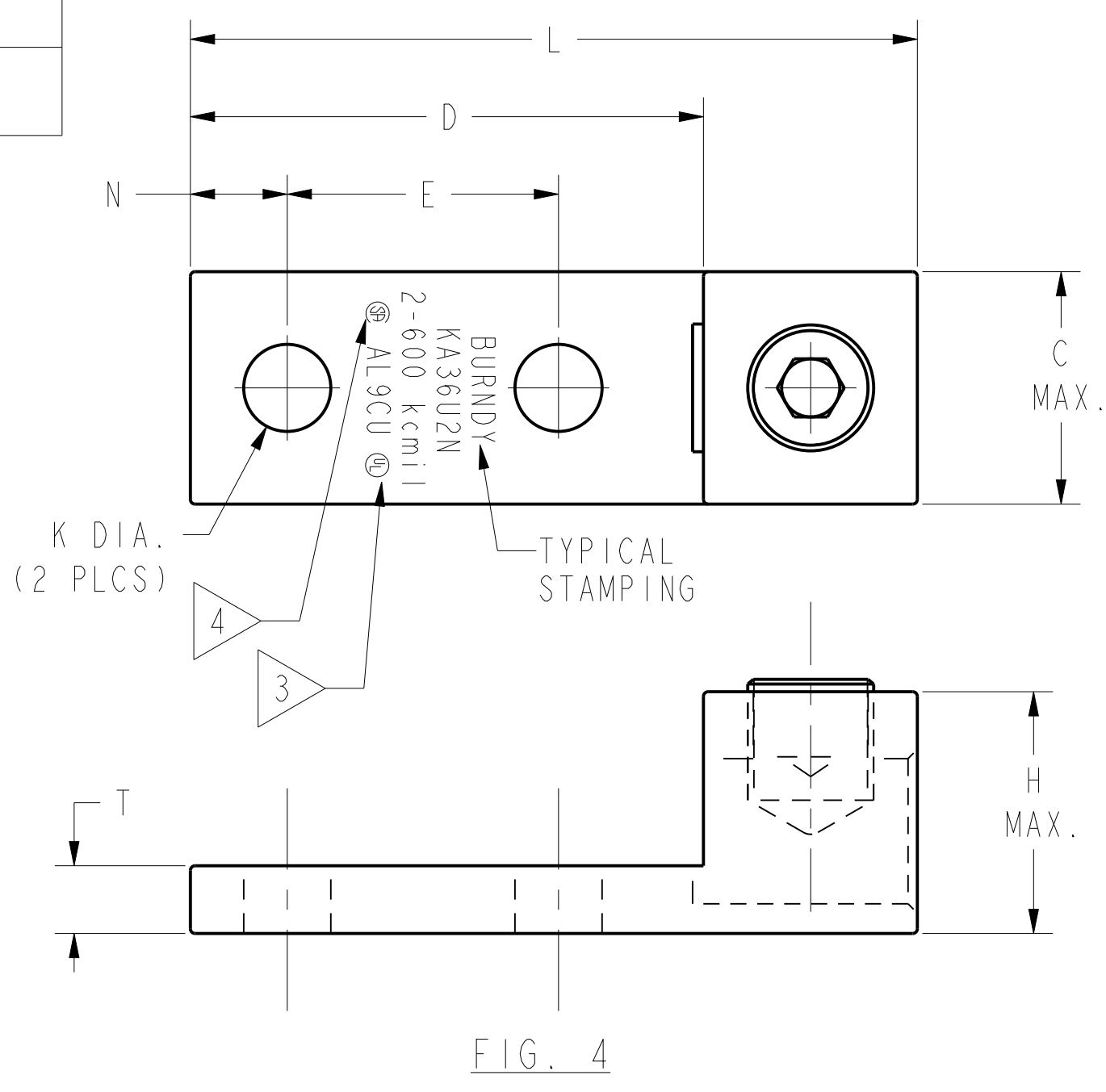
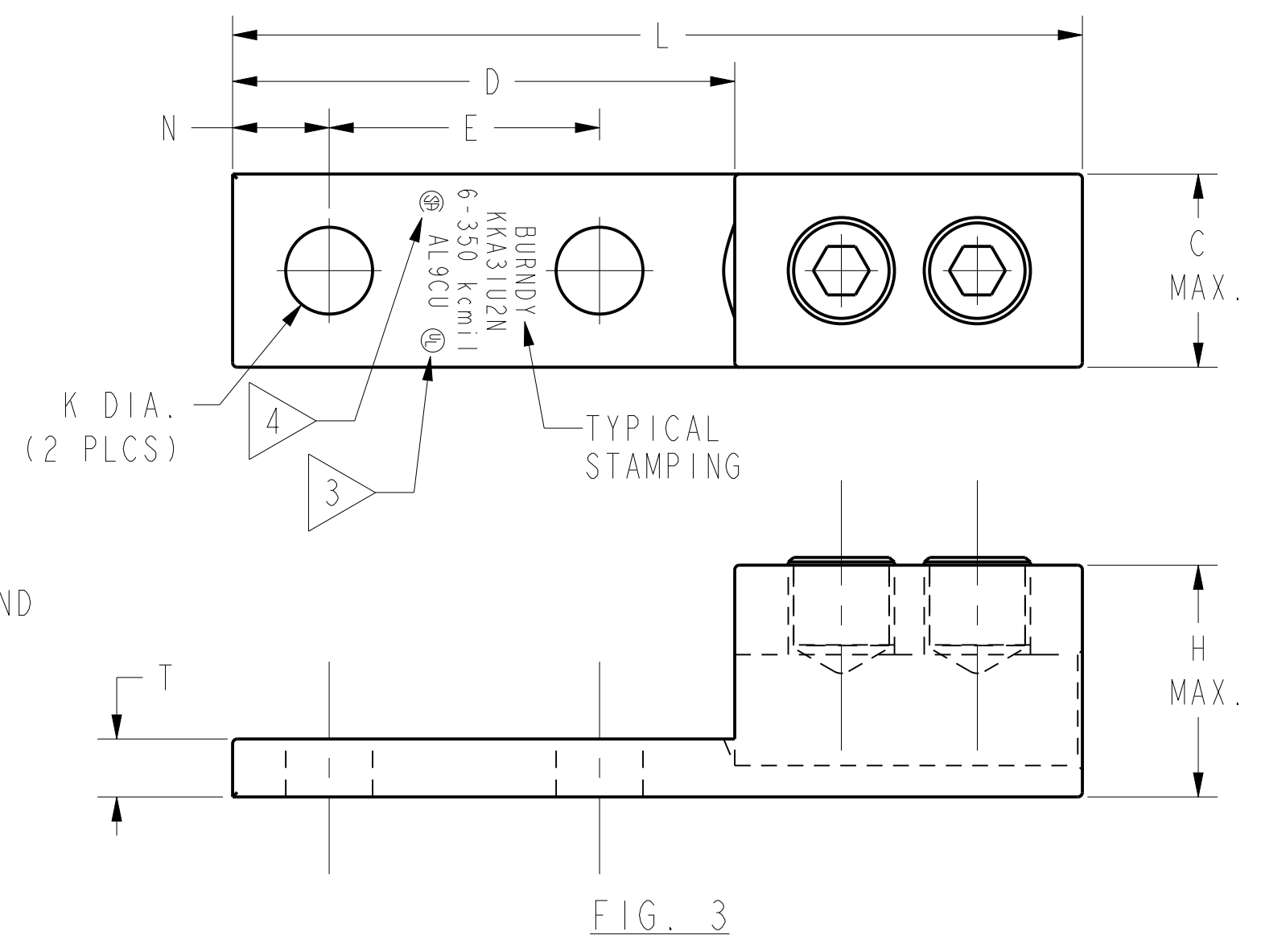


CATALOG NUMBER	FIG. NO.	CONDUCTOR RANGE AL or CU (AWG/KCMIL)	BOLT HOLE SIZE	DIMENSIONS								RECOMMENDED TIGHTENING TORQUE: IN. LBS N.M
				C MAX.	D	E	H MAX.	K DIA.	L	N	T	
KA6U	1	14 STR. - 6 STR.	1/4" [M6]	.50 [13]	.63 [16]	----	.51 [13]	.27 [7]	1.06 [27]	.25 [6]	.09 [2]	35 (4)
KA2U	1	14 STR. - 2 STR.	1/4" [M6]	.51 [13]	.63 [16]	----	.56 [14]	.27 [7]	1.16 [29]	.31 [8]	.10 [3]	50 (6)
KA25U	1	14 STR. - 1/0 STR.	1/4" [M6]	.63 [16]	.81 [21]	----	.92 [23]	.27 [7]	1.50 [38]	.44 [11]	.19 [5]	50 (6)
KA26U	2	14 STR. - 2/0 STR.	1/4" [M6]	.64 [16]	.81 [21]	----	.80 [20]	.27 [7]	1.47 [37]	.45 [11]	.19 [5]	120 (14)
KA29U	2	#6 - 250 KCMIL Class B & C #6 - 4/0 Class G, H, I, K, & DLO	5/16" [M8]	1.02 [26]	.94 [24]	----	1.14 [29]	.33 [8]	2.00 [51]	.47 [12]	.25 [6]	275 (31)
KA29UG12	2	6 STR. - 250 kcmil	3/8" [M10]	1.02 [26]	.94 [24]	----	1.14 [29]	.42 [11]	2.00 [51]	.47 [12]	.25 [6]	275 (31)
KA30U	2	#6 - 300 KCMIL Class B & C #6 - 250 KCMIL Class G, H, I, K, & DLO	5/16" [M8]	1.02 [26]	.94 [24]	----	1.14 [29]	.33 [8]	2.00 [51]	.45 [11]	.25 [6]	275 (31)
KA31U	2	#6 - 350 KCMIL Class B & C #6 - 300 KCMIL Class G, H, I, K, & DLO	3/8" [M10]	1.14 [29]	1.03 [26]	----	1.27 [32]	.42 [11]	2.25 [57]	.52 [13]	.25 [6]	275 (31)
KKA31U2N	3	6 STR. - 350 kcmil	1/2" [M12]	1.27 [32]	3.16 [80]	1.75 [44]	1.52 [39]	.56 [14]	5.50 [140]	.63 [16]	.38 [10]	275 (31)
KA34U	2	#4 - 500 KCMIL Class B & C #4 - 400 KCMIL Class G, H, I, K, & DLO	3/8" [M10]	1.52 [39]	1.50 [38]	----	1.58 [40]	.42 [11]	2.81 [71]	.88 [22]	.31 [8]	450 (51)
KA36U	2	#2 - 600 KCMIL Class B & C #2 - 500 KCMIL Class G, H, I, K, & DLO	3/8" [M10]	1.52 [39]	1.72 [44]	----	1.58 [40]	.42 [11]	3.19 [81]	.78 [20]	.44 [11]	550 (62)
KA36U2N	4	2 STR. - 600 kcmil	1/2" [M12]	1.52 [39]	3.22 [82]	1.75 [44]	1.57 [40]	.56 [14]	4.69 [119]	.63 [16]	.44 [11]	550 (62)
KA40U	2	300 - 800 KCMIL Class B & C 350 - 750 KCMIL Class G, H, I, K, & DLO	1/2" [M12]	1.77 [45]	1.69 [43]	----	1.95 [50]	.53 [13]	3.38 [86]	.88 [22]	.50 [13]	550 (62)
KA40U2N	4	300 - 800 KCMIL Class B & C 350 - 750 KCMIL Class G, H, I, K, & DLO	1/2" [M12]	1.77 [45]	3.03 [77]	1.75 [44]	1.95 [50]	.56 [14]	4.75 [121]	.63 [16]	.50 [13]	550 (62)
KA44U	2	500 - 1000 KCMIL Class B & C 350 - 750 KCMIL Class G, H, I, K, & DLO	5/8" [M16]	1.77 [45]	1.88 [48]	----	1.95 [50]	.66 [17]	3.50 [89]	.88 [22]	.50 [13]	550 (62)
KA44U2N	4	500 - 1000 KCMIL Class B & C 350 - 750 KCMIL Class G, H, I, K, & DLO	1/2" [M12]	1.77 [45]	3.03 [77]	1.75 [44]	1.95 [50]	.56 [14]	4.75 [121]	.63 [16]	.50 [13]	550 (62)
KK2A28U2N	5	6 STR. - 4/0 STR.	1/2" [M12]	1.64 [42]	3.03 [77]	1.75 [44]	1.20 [30]	.56 [14]	5.38 [137]	.63 [16]	.25 [6]	275 (31)
KKA36U2N	3	2 STR. - 600 kcmil	1/2" [M12]	1.39 [35]	3.25 [83]	1.75 [44]	1.52 [39]	.56 [14]	5.50 [140]	.63 [16]	.38 [10]	550 (62)
KK2A36U2N	5	2 STR. - 600 kcmil	1/2" [M12]	2.76 [70]	3.37 [86]	1.75 [44]	1.58 [40]	.56 [14]	5.62 [143]	.63 [16]	.38 [10]	375 (42)

REV	DATE	DESCRIPTION	ECO	BY	CHECK
T	2023-09-19 04:00:00 EDT	UPDATED AS PER MARKUPS	230824032880	RA	YR



- NOTES:
- MATERIAL-BODY: ALUMINUM
SCREW: STEEL ALUMINUM
 - FINISH-BODY: TIN PLATED
NICKEL PLATED
SCREW: TIN PLATED
ZINC PLATED
NICKEL PLATED
 - CONNECTORS ARE UL LISTED TO UL486A- 486B FOR ALUMINUM AND COPPER CONDUCTORS AT 90°C. STAMP MAY READ CU9AL OR AL9CU TO INDICATE THIS LISTING.
 - CONNECTORS ARE CSA CERTIFIED TO C22.2, NO. 65 FOR INDICATED CONDUCTOR RANGE.
 - "N" INDICATES NEMA STANDARD STUD HOLES.
 - LISTED TORQUE VALUES ARE FOR MAXIMUM CONDUCTOR SIZES ACCOMMODATED.
 - DIMENSIONS IN BRACKETS [] ARE IN MILLIMETERS ROUNDED OFF TO THE NEAREST MILLIMETER, UNLESS OTHERWISE NOTED, AND ARE FOR REFERENCE ONLY.
 - PARTS WITH CATALOG NUMBERS ENDING IN "M" REQUIRE A METRIC, HEX. HEAD, SOCKET SET SCREW.
 - NOT RECOMMENDED FOR USE IN HIGHLY CORROSIVE ENVIRONMENT.



CONNECTOR SIZE	TOLERANCES L
8C - 25	±.09
26 - 34	±.12
35 AND UP	±.15

UNIVERSAL TERMINAL

ITEM NO: 392018
 CAT. NO: KA-U, KA-UM, KKA-U (TABLE)
 DRAWN BY: P. LAPONIUS 04/10/97
 CHECKER: J. MICHAUD 04/21/97
 DSN APPVL: K. MELLO 04/30/97
 MFG APPVL: -- --
 QA APPVL: D. VARIO 05/02/97
 MKT APPVL: P. WERTHMAN 05/01/97

TO ORDER BURNDY@PRODUCTS CALL
 UNITED STATES: 1-800-346-4175 (LONDONDERRY, NH)
 CANADA: 1-800-361-6975 (QUEBEC)
 1-800-387-6487 (ALL OTHER PROVINCES)
 FOR PRODUCT INFO: <http://www.burndy.com>

SCALE: 5:1

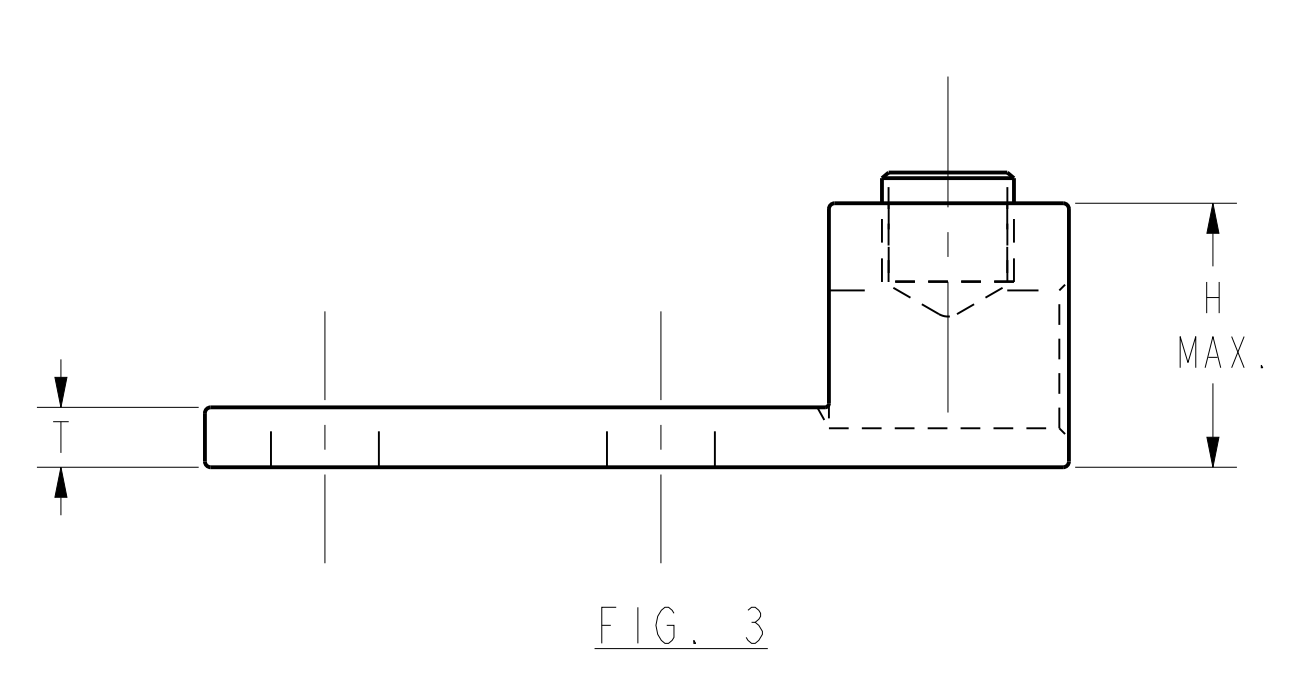
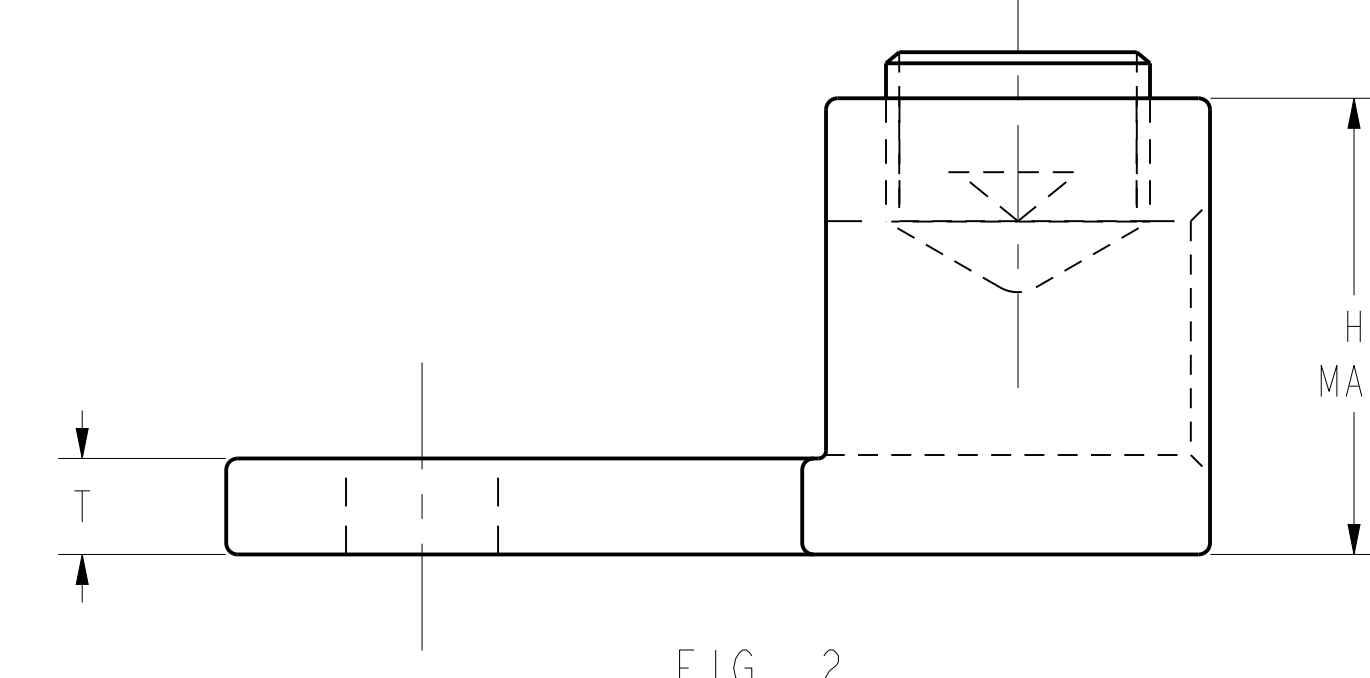
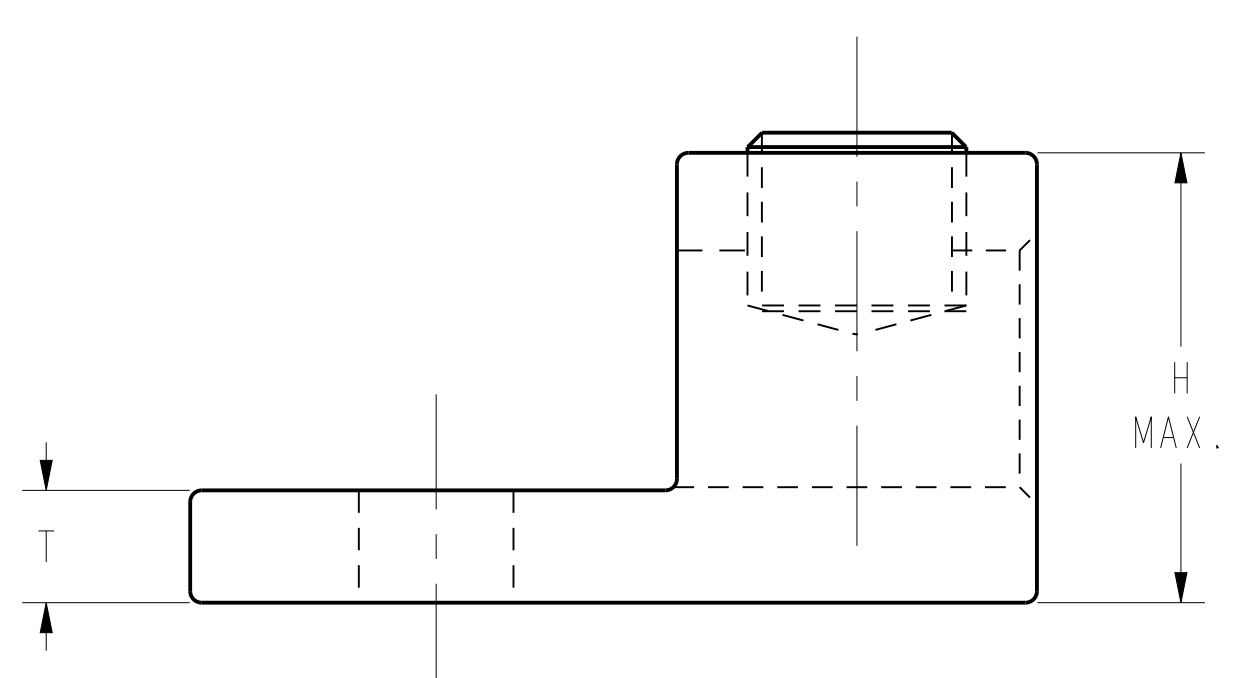
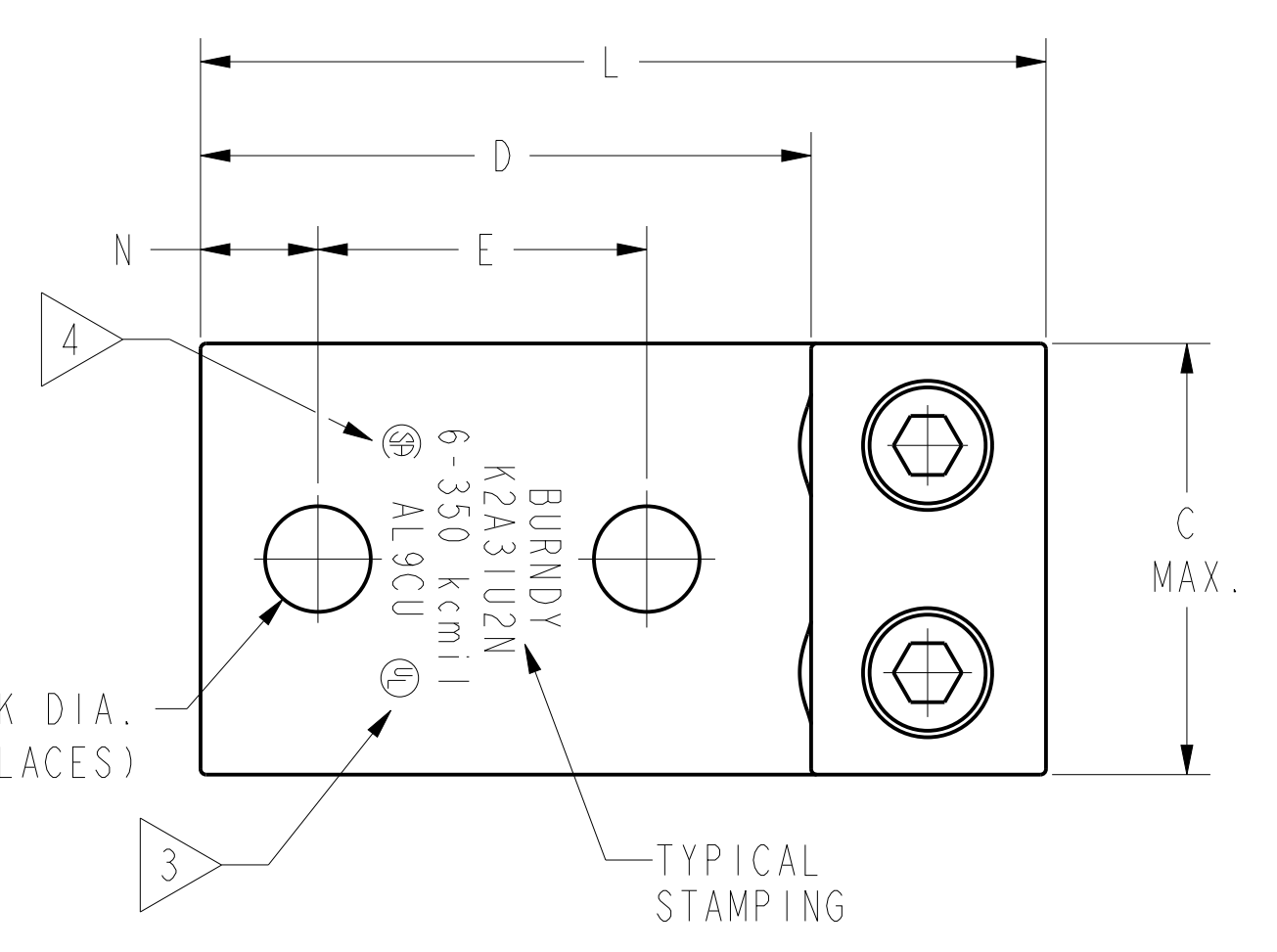
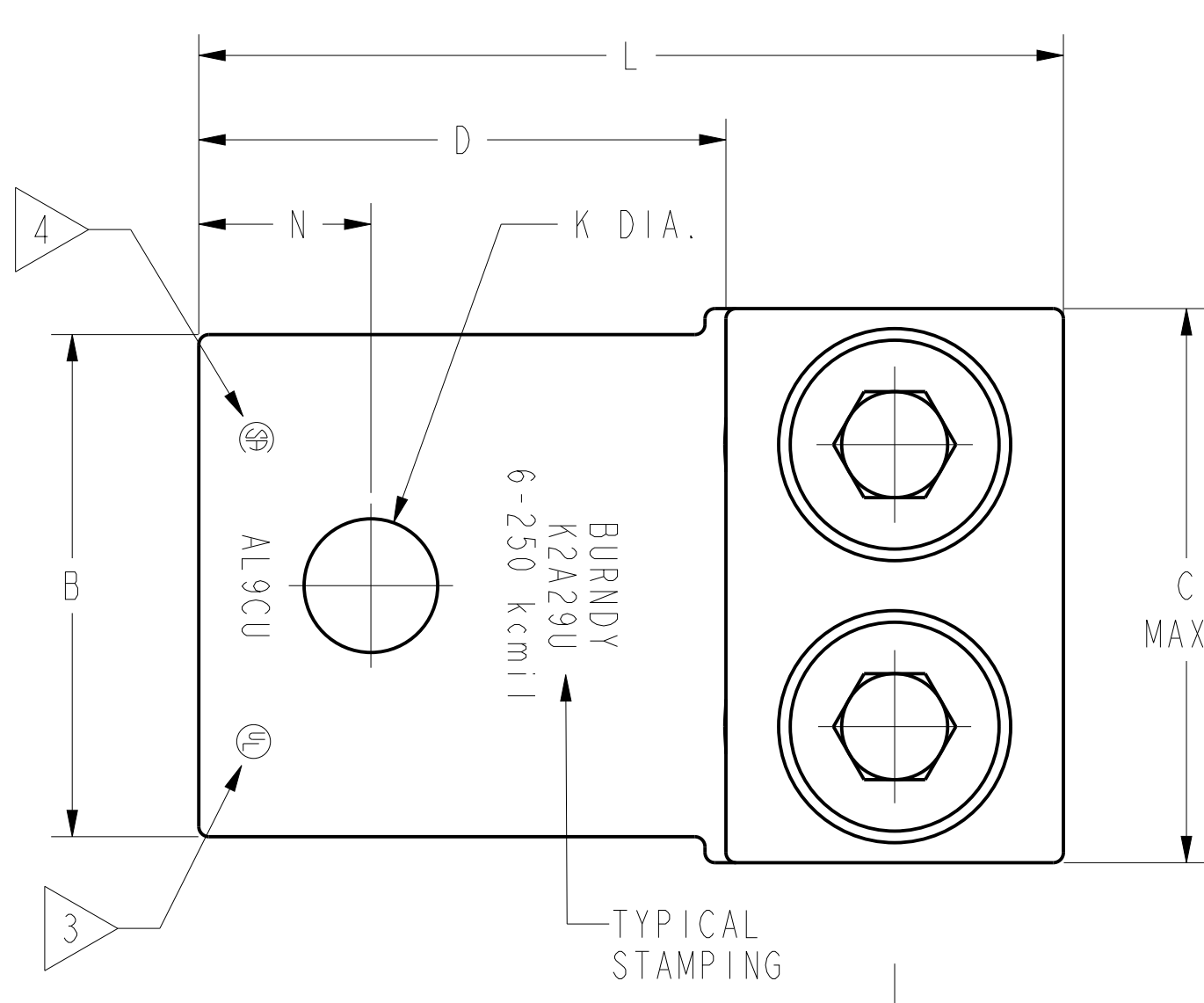
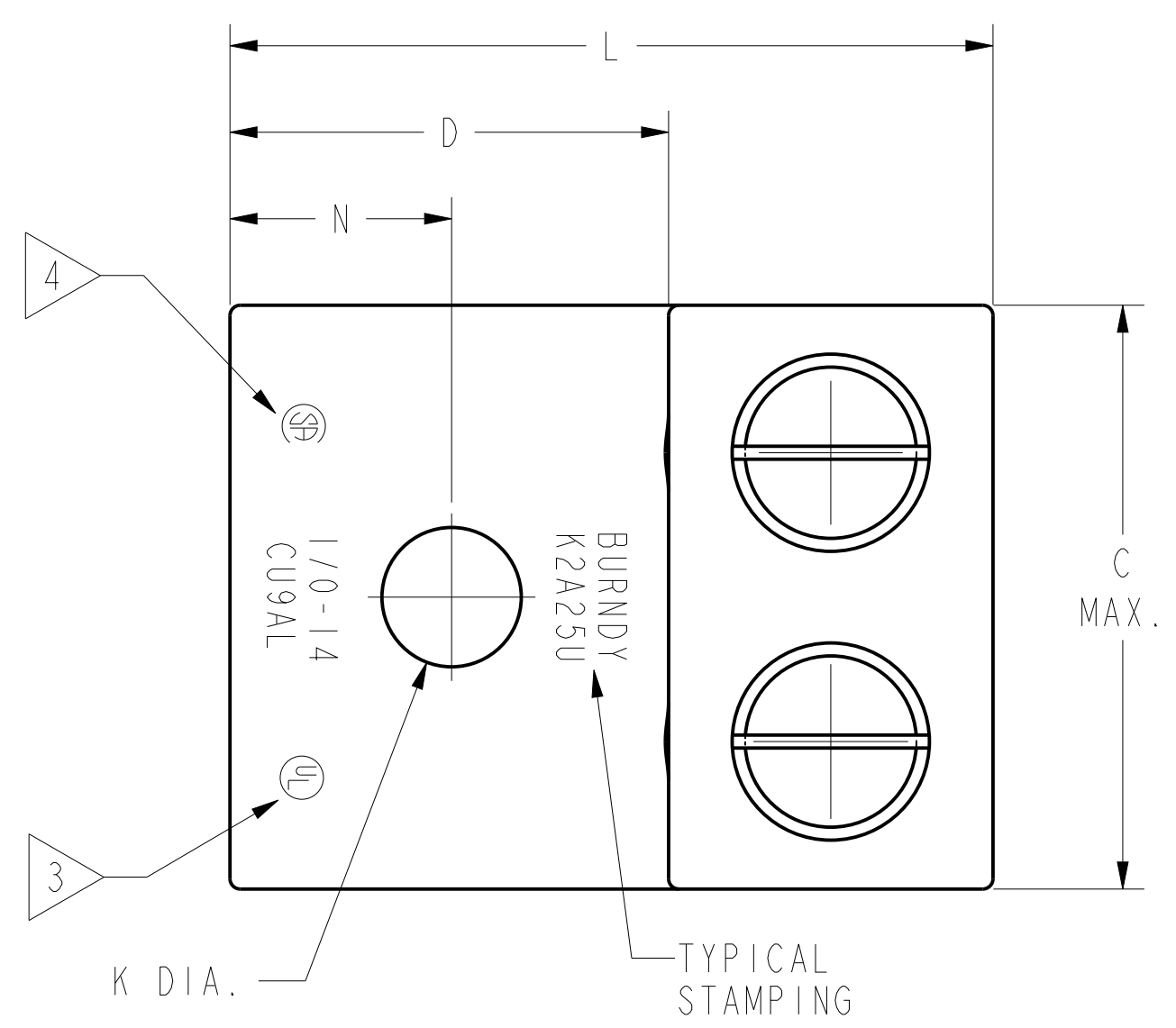
PROJECT #: -- SIZE D
 DOCUMENT TYPE: Sales
 REL LEVEL: Released

DRAWING NO: SE210997
 SHEET 1 OF 5

REV: CREO_08/10/21

REV	DATE	DESCRIPTION	ECO	BY	CHK.
T	2023-09-19 04:00:00 EDT	UPDATED AS PER MARKUPS	230824032880	RA	YR

CATALOG NUMBER ⁵	FIG. NO.	CONDUCTOR RANGE AL or CU (AWG/KCMIL)	BOLT HOLE SIZE.	DIMENSIONS									RECOMMENDED TIGHTENING TORQUE: IN.LBS N.M ⁶
				C MAX.	D	E	H MAX.	K DIA	L	N	T	B	
K2A25U	1	TWO: 14 STR. - 1/0 STR.	1/4" [M6]	1.15 [29]	.81 [21]	----	.79 [20]	.27 [7]	1.47 [37]	.44 [11]	.19 [5]	----	50 (6)
K2A26U	1	TWO: 14 STR. - 2/0 STR.	1/4" [M6]	1.27 [32]	.81 [21]	----	.80 [20]	.27 [7]	1.47 [37]	.44 [11]	.19 [5]	----	120 (14)
K2A29U	2	TWO: 6 STR. - 250 kcmil	3/8" [M10]	1.66 [42]	1.50 [38]	----	1.20 [30]	.40 [10]	2.56 [65]	.50 [13]	.25 [6]	1.51	275 (31)
K2A31U	2	TWO: #6 - 350 KCMIL Class B & C #6 - 300 KCMIL Class G, H, I, K, & DLO	1/2" [M12]	1.94 [49]	1.69 [43]	----	1.26 [32]	.56 [14]	2.88 [73]	.88 [22]	.25 [6]	----	275 (31)
K2A31U2N	3	TWO: #6 - 350 KCMIL Class B & C #6 - 300 KCMIL Class G, H, I, K, & DLO	1/2" [M12]	2.31 [59]	3.00 [76]	1.75 [44]	1.39 [35]	.56 [14]	4.50 [114]	.63 [16]	.31 [8]	----	275 (31)
K2A36U	2	TWO: #2 - 600 KCMIL Class B & C #2 - 500 KCMIL Class G, H, I, K, & DLO	1/2" [M12]	2.42 [61]	1.75 [44]	----	1.58 [40]	.53 [13]	3.20 [81]	.63 [16]	.44 [11]	2.02	375 (42)
K2A36U2N	3	TWO: #2 - 600 KCMIL Class B & C #2 - 500 KCMIL Class G, H, I, K, & DLO	1/2" [M12]	2.42 [61]	3.22 [82]	1.75 [44]	1.39 [35]	.56 [14]	4.69 [119]	.63 [16]	.44 [11]	----	375 (42)
K2A40U	1	TWO: 300 KCMIL - 800 KCMIL Class B & C 300 KCMIL - 750 KCMIL Class G, H, I, K, & DLO	5/8" [M16]	3.20 [81]	1.66 [42]	----	1.95 [50]	.66 [17]	3.38 [86]	.85 [22]	.50 [13]	----	550 (62)
K2A40U2N	3	TWO: 300 KCMIL - 800 KCMIL Class B & C 300 KCMIL - 750 KCMIL Class G, H, I, K, & DLO	1/2" [M12]	3.20 [81]	3.03 [77]	1.75 [44]	1.95 [50]	.56 [14]	4.75 [121]	.63 [16]	.50 [13]	----	550 (62)
K2A44U	1	TWO: 500 KCMIL - 1000 KCMIL Class B & C 500 KCMIL - 750 KCMIL Class G, H, I, K, & DLO	5/8" [M16]	3.52 [89]	1.66 [42]	----	1.95 [50]	.66 [17]	3.50 [89]	.88 [22]	.50 [13]	----	550 (62)
K2A44U2N	3	TWO: 500 KCMIL - 1000 KCMIL Class B & C 500 KCMIL - 750 KCMIL Class G, H, I, K, & DLO	1/2" [M12]	3.21 [82]	3.03 [77]	1.75 [44]	1.95 [50]	.56 [14]	4.75 [121]	.63 [16]	.50 [13]	----	550 (62)



- NOTES:
- MATERIAL-BODY: ALUMINUM
SCREW: ALUMINUM
 - FINISH-BODY: TIN PLATED
SCREW: TIN PLATED
 - CONNECTORS ARE UL LISTED TO UL486A- 486B FOR ALUMINUM AND COPPER CONDUCTORS AT 90°C. STAMP MAY READ CU9AL OR AL9CU TO INDICATE THIS LISTING.
 - CONNECTORS ARE CSA CERTIFIED TO C22.2, NO. 65 FOR INDICATED CONDUCTOR RANGE.
 - "N" INDICATES NEMA STANDARD STUD HOLES.
 - LISTED TORQUE VALUES ARE FOR MAXIMUM CONDUCTOR SIZES ACCOMMODATED. CONSULT UL486 TABLES 7-4, 7-5, & 7-6 FOR SMALLER CONDUCTOR SIZES.
 - DIMENSIONS IN BRACKETS [] ARE IN MILLIMETERS ROUNDED OFF TO THE NEAREST MILLIMETER, UNLESS OTHERWISE NOTED, AND ARE FOR REFERENCE ONLY.
 - NOT RECOMMENDED FOR USE IN HIGHLY CORROSIVE ENVIRONMENT.

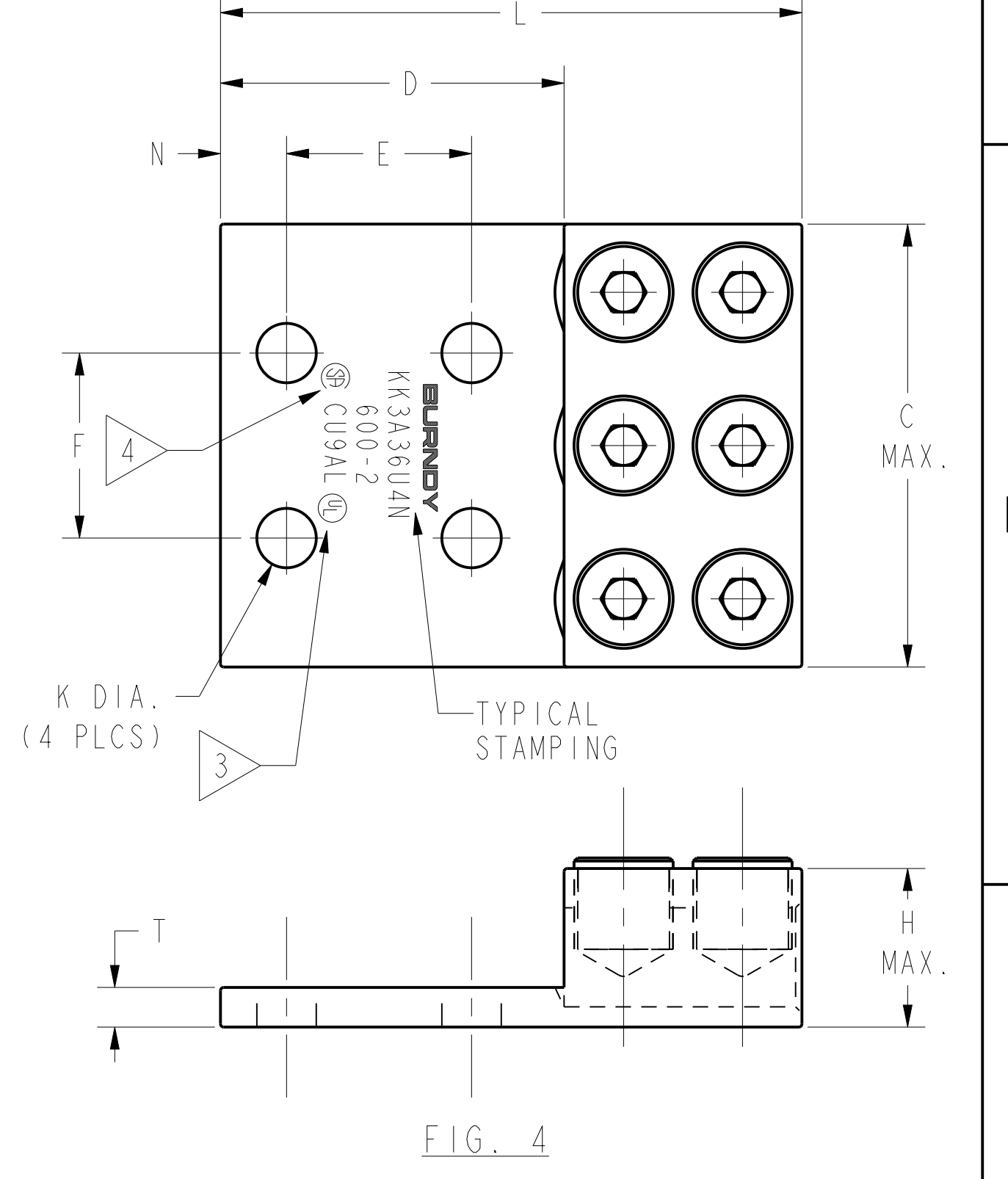
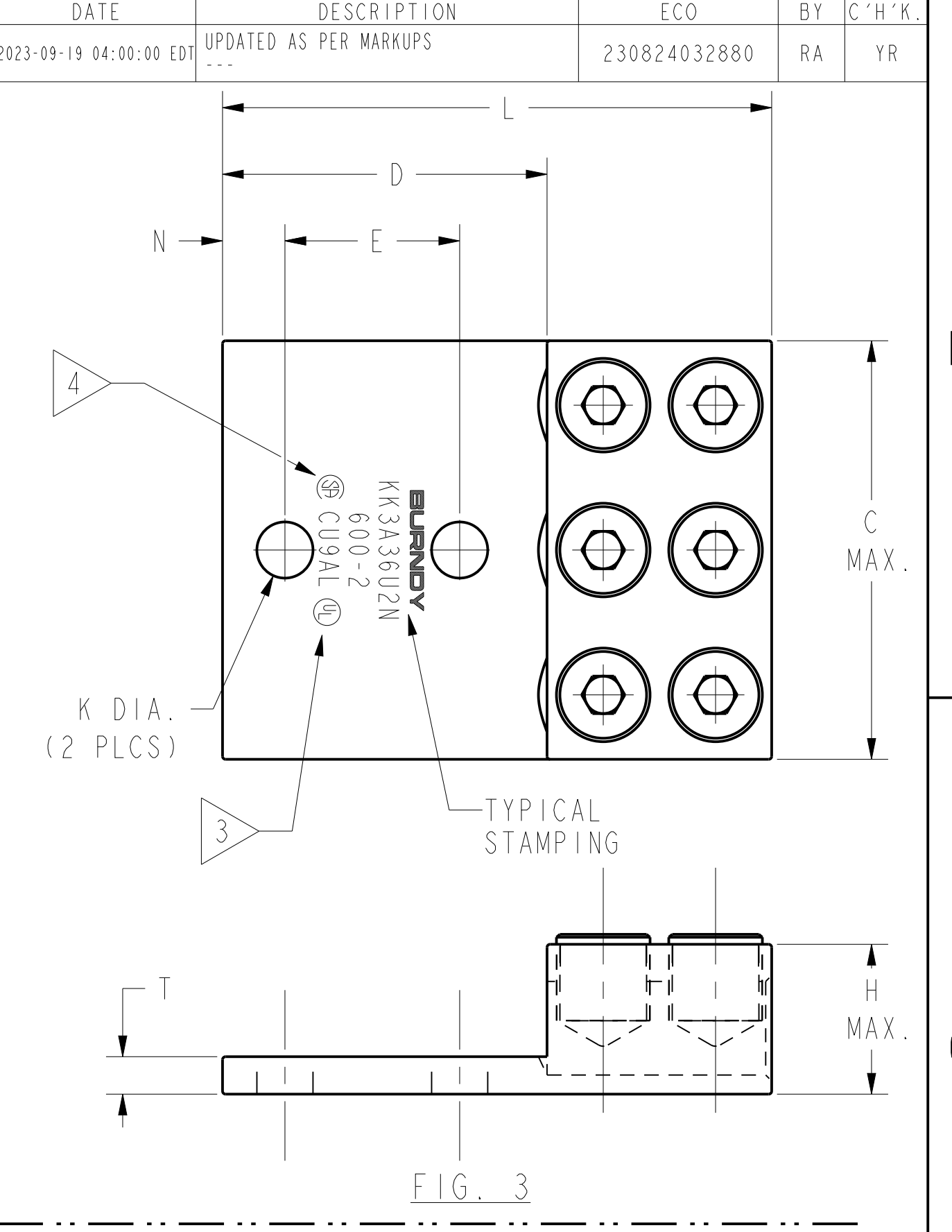
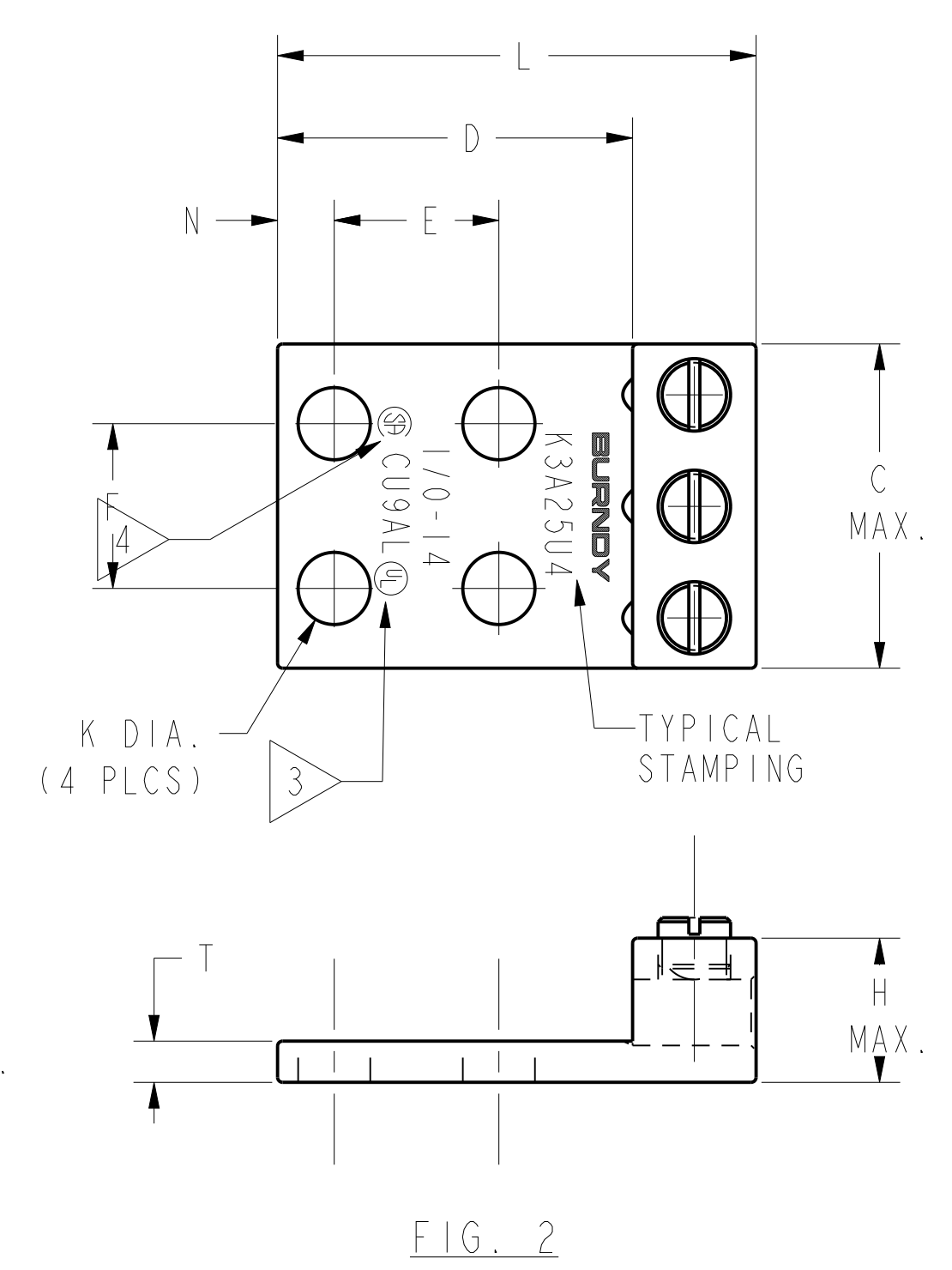
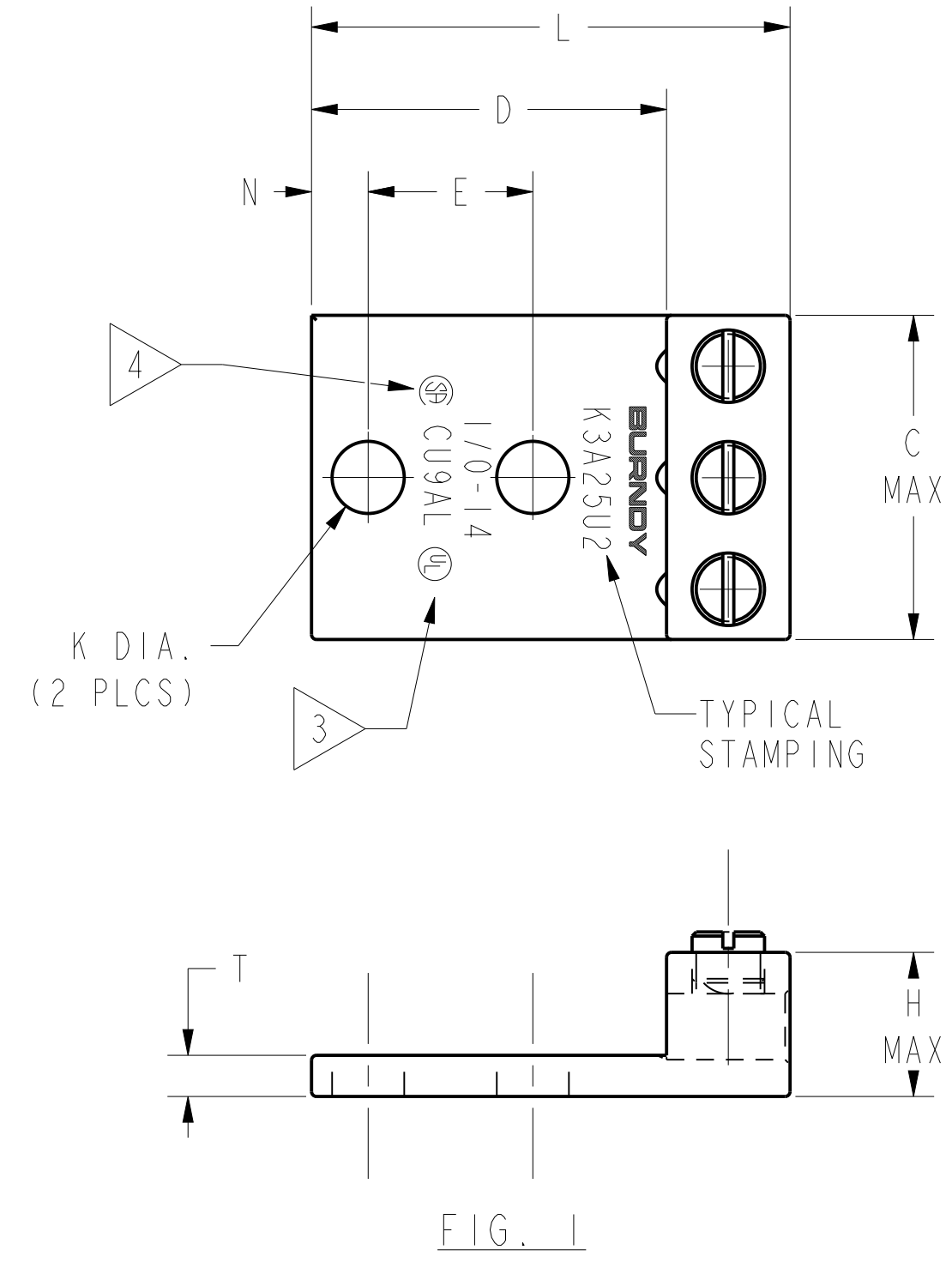
CONNECTOR SIZE	TOLERANCES
	L
8C - 25	±.09
26 - 34	±.12
35 AND UP	±.15

TO ORDER BURNDY@PRODUCTS CALL
 UNITED STATES:
 1-800-346-4175 (LONDONDERRY, NH)
 CANADA:
 1-800-361-6975 (QUEBEC)
 1-800-387-6487 (ALL OTHER PROVINCES)
 FOR PRODUCT INFO: <http://www.burndy.com>

UNIVERSAL TERMINAL			
ITEM NO:	N/A		
CAT. NO:	KA2-U (TABLE)		
DRAWN BY:	P. LAPONIUS	04/10/97	
CHECKER:	J. MICHAUD	04/21/97	
DSN APPVL:	K. MELLO	04/30/97	
MFG APPVL:	--	--	
QA APPVL:	D. VARIO	05/02/97	
MKT APPVL:	P. WERTHMAN	05/01/97	
PROD FAM:	CM&R_Mechanical	DRAWING NO	SCALE: 1:1
PROJECT #:	--	SIZE	SE210997
DOCUMENT TYPE:	Sales		SHEET 2 OF 5
REL LEVEL:	Released		

REV: CREO_08/10/21

CATALOG NUMBER	FIG. NO.	CONDUCTOR RANGE ALUMINUM OR COPPER	BOLT HOLE SIZE	DIMENSIONS								RECOMMENDED TIGHTENING TORQUE: IN. LBS N.M	
				C MAX.	D	E	F	H MAX.	K DIA.	L	N		T
K3A2U2	1	THREE: 14 STR. - 2 STR.	5/16" [M8]	1.64 [42]	1.63 [41]	.88 [22]	----	.65 [17]	.34 [9]	2.19 [56]	.34 [9]	.19 [5]	50 (6)
K3A2U4	2	THREE: 14 STR. - 2 STR.	11/32" ---	1.64 [42]	1.63 [41]	.88 [22]	.88 [22]	.65 [17]	.34 [9]	2.19 [56]	.34 [9]	.19 [5]	50 (6)
K3A25U2	1	THREE: 14 STR. - 1/0 STR.	7/16" ---	2.02 [51]	2.09 [53]	1.00 [25]	----	.89 [23]	.45 [11]	2.91 [74]	.34 [9]	.25 [6]	50 (6)
K3A25U4	2	THREE: 14 STR. - 1/0 STR.	7/16" ---	2.02 [51]	2.09 [53]	1.00 [25]	1.00 [25]	.89 [23]	.45 [11]	2.91 [74]	.34 [9]	.25 [6]	50 (6)
K3A26U2N	1	THREE: 14 STR. - 2/0 STR.	9/16" [14]	1.97 [50]	3.06 [78]	1.75 [44]	----	.80 [20]	.56 [14]	3.75 [95]	.63 [16]	.19 [5]	50 (6)
K3A27U2N	1	THREE: 6 STR. - 3/0 STR.	9/16" [14]	2.83 [72]	3.00 [76]	1.75 [44]	----	1.14 [29]	.56 [14]	3.88 [99]	.63 [16]	.31 [8]	120 (14)
K3A27U4TC38	2	THREE: 6 STR. - 3/0 STR.	9/16" [14]	2.83 [72]	3.00 [76]	1.00 [25]	1.00 [25]	1.20 [30]	.44 [11]	4.25 [108]	.34 [9]	.31 [8]	120 (14)
K3A27U4N	2	THREE: 6 STR. - 3/0 STR.	9/16" [14]	2.83 [72]	3.00 [76]	1.75 [44]	1.75 [44]	1.20 [30]	.56 [14]	4.25 [108]	.63 [16]	.31 [8]	120 (14)
K3A29U2N	1	THREE: 6 STR. - 250 kcmil	9/16" [14]	3.01 [76]	3.16 [80]	1.75 [44]	----	1.20 [30]	.56 [14]	4.25 [108]	.63 [16]	.31 [8]	275 (31)
K3A29U4N	2	THREE: 6 STR. - 250 kcmil	9/16" [14]	3.02 [77]	3.00 [76]	1.75 [44]	1.75 [44]	1.20 [30]	.56 [14]	4.25 [108]	.63 [16]	.31 [8]	275 (31)
K3A31U2N	1	THREE: 6 STR. - 350 kcmil	9/16" [14]	3.52 [89]	3.16 [80]	1.75 [44]	----	1.39 [35]	.56 [14]	4.50 [114]	.63 [16]	.31 [8]	275 (31)
K3A31U4N	2	THREE: 6 STR. - 350 kcmil	9/16" [14]	3.52 [89]	3.00 [76]	1.75 [44]	1.75 [44]	1.39 [35]	.56 [14]	4.50 [114]	.63 [16]	.31 [8]	275 (31)
K3A36U2N	1	THREE: 2 STR. - 600 kcmil	9/16" [14]	3.64 [92]	3.22 [82]	1.75 [44]	----	1.58 [40]	.56 [14]	4.69 [119]	.63 [16]	.44 [11]	550 (62)
K3A36U4N	2	THREE: 2 STR. - 600 kcmil	9/16" [14]	3.64 [92]	3.22 [82]	1.75 [44]	1.75 [44]	1.58 [40]	.56 [14]	4.69 [119]	.63 [16]	.44 [11]	550 (62)
KK3A36U2N	3	THREE: 2 STR. - 600 kcmil	9/16" [14]	4.22 [107]	3.00 [76]	1.75 [44]	----	1.52 [39]	.56 [14]	5.50 [140]	.63 [16]	.38 [10]	550 (62)
KK3A36U4N	4	THREE: 2 STR. - 600 kcmil	9/16" [14]	4.22 [107]	3.00 [76]	1.75 [44]	1.75 [44]	1.52 [39]	.56 [14]	5.50 [140]	.63 [16]	.38 [10]	550 (62)
K3A40U2N	1	THREE: 300 - 800 kcmil	9/16" [14]	4.83 [123]	3.03 [77]	1.75 [44]	----	1.95 [50]	.56 [14]	4.75 [121]	.63 [16]	.50 [13]	550 (62)
K3A40U4N	2	THREE: 300 - 800 kcmil	9/16" [14]	4.83 [123]	3.03 [77]	1.75 [44]	1.75 [44]	1.95 [50]	.56 [14]	4.75 [121]	.63 [16]	.50 [13]	550 (62)
KK3A40U2N	3	THREE: 300 - 800 kcmil	9/16" [14]	4.28 [109]	3.34 [85]	1.75 [44]	----	1.89 [48]	.56 [14]	6.19 [157]	.63 [16]	.56 [14]	550 (62)
KK3A40U4N	4	THREE: 300 - 800 kcmil	9/16" [14]	5.34 [136]	3.34 [85]	1.75 [44]	1.75 [44]	1.89 [48]	.56 [14]	6.19 [157]	.63 [16]	.56 [14]	550 (62)
KK3A44U2N	3	THREE: 500 - 1000 kcmil	9/16" [14]	4.79 [122]	3.34 [85]	1.75 [44]	----	1.90 [48]	.56 [14]	6.19 [157]	.63 [16]	.56 [14]	550 (62)
KK3A44U4N	4	THREE: 500 - 1000 kcmil	9/16" [14]	4.77 [121]	3.34 [85]	1.75 [44]	1.75 [44]	1.90 [48]	.56 [14]	6.19 [157]	.63 [16]	.56 [14]	550 (62)



- NOTES:
- MATERIAL-BODY: ALUMINUM
SCREW: ALUMINUM
 - FINISH-BODY: TIN PLATED
SCREW: TIN PLATED
 - CONNECTORS ARE UL LISTED TO UL486A- 486B FOR ALUMINUM AND COPPER CONDUCTORS AT 90°C. STAMP MAY READ CU9AL OR AL9CU TO INDICATE THIS LISTING.
 - CONNECTORS ARE CSA CERTIFIED TO C22.2, NO. 65 FOR INDICATED CONDUCTOR RANGE.
 - "N" INDICATES NEMA STANDARD STUD HOLES.

- LISTED TORQUE VALUES ARE FOR MAXIMUM CONDUCTOR SIZES ACCOMMODATED. CONSULT UL486 TABLES 7-4, 7-5, & 7-6 FOR SMALLER CONDUCTOR SIZES.
- SLOTTED SCREW.
- DIMENSIONS IN BRACKETS [] ARE IN MILLIMETERS ROUNDED OFF TO THE NEAREST MILLIMETER, UNLESS OTHERWISE NOTED, AND ARE FOR REFERENCE ONLY.
- NOT RECOMMENDED FOR USE IN HIGHLY CORROSIVE ENVIRONMENT.

CONNECTOR SIZE	TOLERANCES
	L
8C - 25	±.09
26 - 34	±.12
35 AND UP	±.15

TO ORDER BURNDY@PRODUCTS CALL
 UNITED STATES: 1-800-346-4175 (LONDONDERRY, NH)
 CANADA: 1-800-361-6975 (QUEBEC)
 1-800-387-6487 (ALL OTHER PROVINCES)
 FOR PRODUCT INFO: <http://www.burndy.com>

UNIVERSAL TERMINAL

ITEM NO: N/A
 CAT. NO: K3A-U (SEE TABLE)
 DRAWN BY: P. LAPONIUS 04/10/97
 CHECKER: J. MICHAUD 04/21/97
 DSN APPVL: K. MELLO 04/30/97
 MFG APPVL: -- --
 QA APPVL: D. VARIO 05/02/97
 MKT APPVL: P. WERTHMAN 05/01/97

SCALE: 1:1

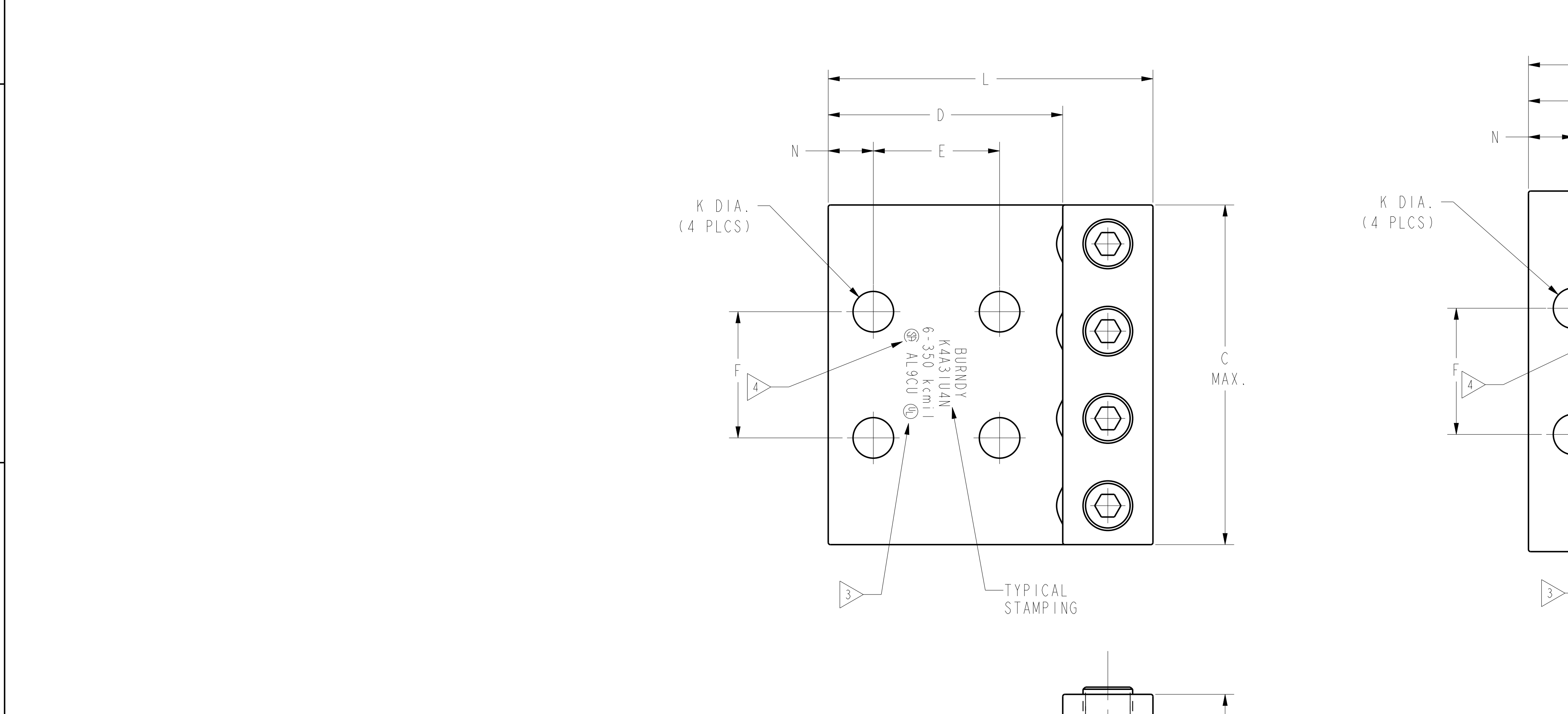
PROD FAM: CM&R_Mechanical DRAWING NO: REV
 PROJECT #: -- SIZE: SE210997
 DOCUMENT TYPE: Sales SHEET 3 OF 5
 REL LEVEL: Released

HUBBELL
BURNDY

REV: CREO_08/10/21

REV	DATE	DESCRIPTION	ECO	BY	C'H'K.
T	2023-09-19 04:00:00 EDT	UPDATED AS PER MARKUPS	230824032880	RA	YR

CATALOG NUMBER	FIG. NO.	CONDUCTOR RANGE ALUMINUM OR COPPER	BOLT HOLE SIZE	DIMENSIONS									RECOMMENDED TIGHTENING TORQUE: IN. LBS N.M
				C MAX.	D	E	F	H MAX.	K DIA	L	N	T	
K4A29U4N	1	FOUR: 6 STR. - 250 kcmil	9/16" [M14]	4.06 [103]	3.16 [80]	1.75 [44]	1.75 [44]	1.21 [31]	.56 [14]	4.25 [108]	.63 [16]	.31 [8]	275 (31)
K4A31U4N	1	FOUR: 6 STR. - 350 kcmil	9/16" [M14]	4.73 [120]	3.00 [76]	1.75 [44]	1.75 [44]	1.39 [35]	.56 [14]	4.50 [114]	.63 [16]	.31 [8]	275 (31)
KK4A36U4N	2	FOUR: 2 STR. - 600 kcmil	9/16" [M14]	5.04 [128]	3.34 [85]	1.75 [44]	1.75 [44]	1.51 [38]	.56 [14]	5.63 [143]	.63 [16]	.44 [11]	550 (62)
KK4A40U4N	2	FOUR: 300 - 800 kcmil	9/16" [M14]	6.04 [153]	3.41 [87]	1.75 [44]	1.75 [44]	1.89 [48]	.56 [14]	6.19 [157]	.63 [16]	.56 [14]	550 (62)



NOTES:

- MATERIAL-BODY: ALUMINUM
SCREW: ALUMINUM
- FINISH-BODY: TIN PLATED
SCREW: TIN PLATED
- CONNECTORS ARE UL LISTED TO UL486A- 486B FOR ALUMINUM AND COPPER CONDUCTORS AT 90°C. STAMP MAY READ CU9AL OR AL9CU TO INDICATE THIS LISTING.
- CONNECTORS ARE CSA CERTIFIED TO C22.2, NO. 65 FOR INDICATED CONDUCTOR RANGE.
- "N" INDICATES NEMA STANDARD STUD HOLES.
- LISTED TORQUE VALUES ARE FOR MAXIMUM CONDUCTOR SIZES ACCOMMODATED. CONSULT UL486 TABLES 7-4, 7-5, & 7-6 FOR SMALLER CONDUCTOR SIZES.
- DIMENSIONS IN BRACKETS [] ARE IN MILLIMETERS ROUNDED OFF TO THE NEAREST MILLIMETER, UNLESS OTHERWISE NOTED, AND ARE FOR REFERENCE ONLY.
- NOT RECOMMENDED FOR USE IN HIGHLY CORROSIVE ENVIRONMENT.

FIG. 1

CONNECTOR SIZE	TOLERANCES
	L
8C - 25	±.09
26 - 34	±.12
35 AND UP	±.15

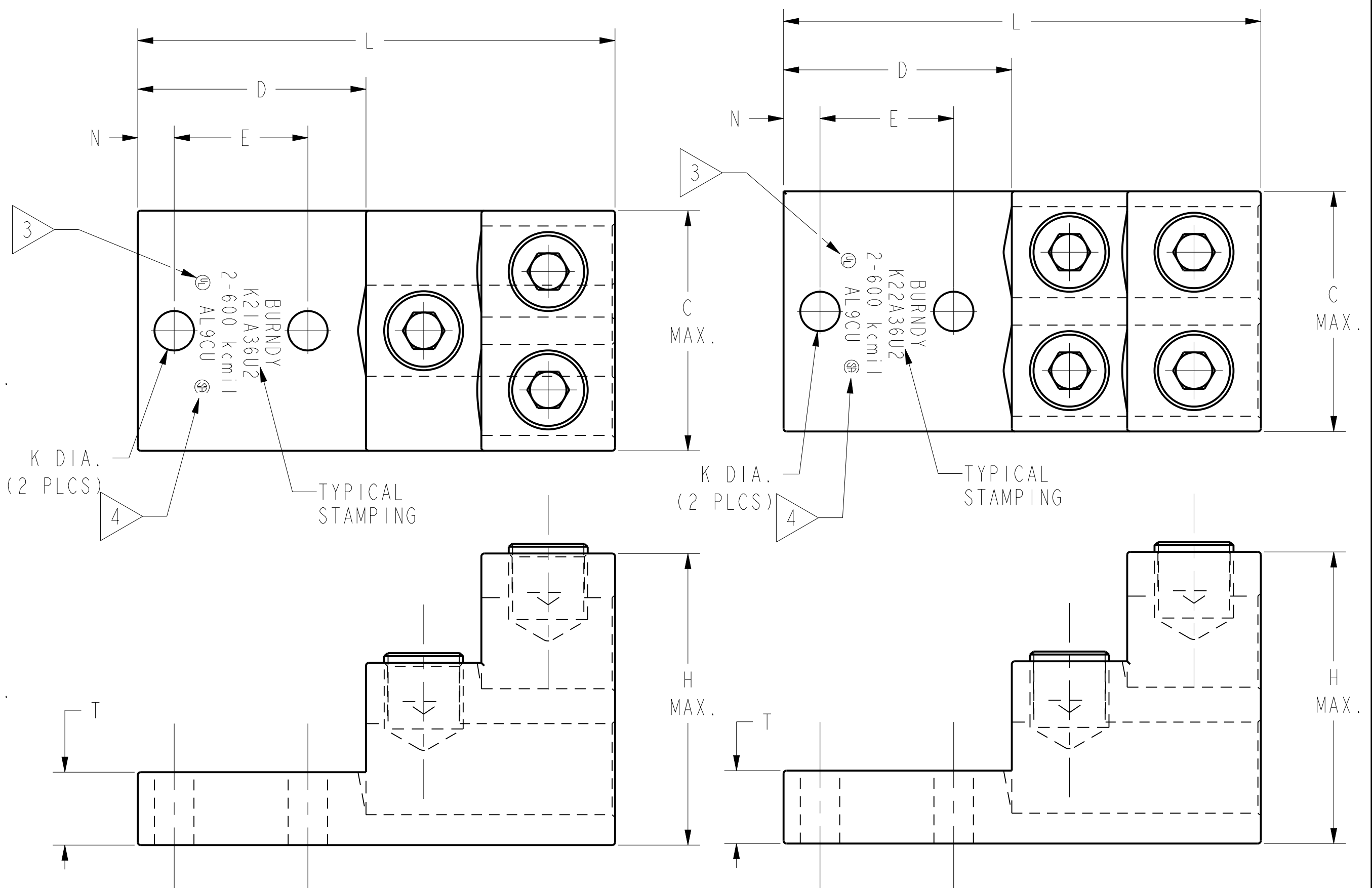
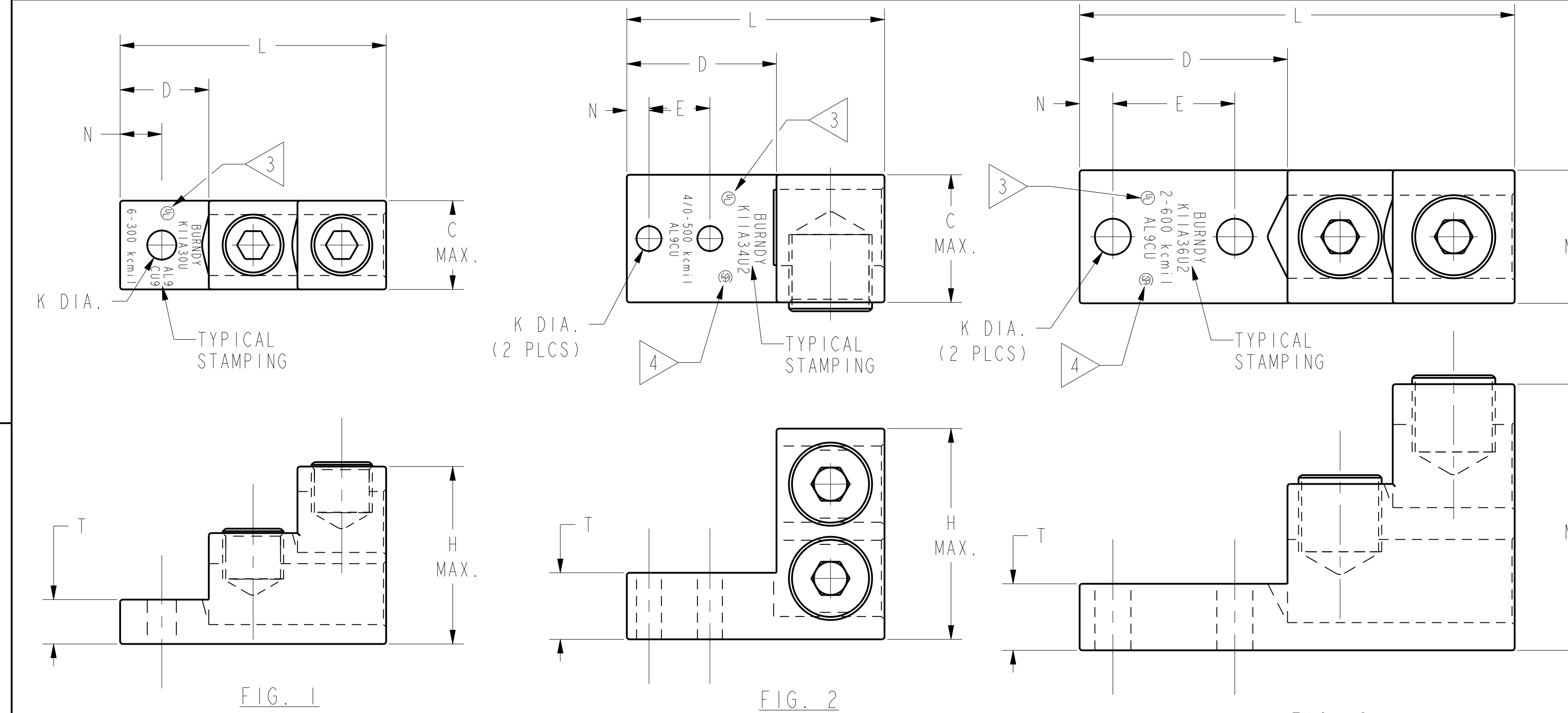
FIG. 2

TO ORDER BURNDY@PRODUCTS CALL		UNIVERSAL TERMINAL	
UNITED STATES: 1-800-346-4175 (LONDONDERRY, NH)		ITEM NO: N/A	CAT. NO: K4A-U (SEE TABLE)
CANADA: 1-800-361-6975 (QUEBEC) 1-800-387-6487 (ALL OTHER PROVINCES)		DRAWN BY: P. LAPONIUS 04/10/97	CHECKER: J. MICHAUD 04/21/97
FOR PRODUCT INFO: http://www.burndy.com		DSN APPVL: K. MELLO 04/30/97	MFG APPVL: -- --
		GA APPVL: D. VARIO 05/02/97	MKT APPVL: P. WERTHMAN 05/01/97
		PROD FAM: CM&R_Mechanical	DRAWING NO: SE210997
		PROJECT #: --	SIZE: D
		DOCUMENT TYPE: Sales	SHEET 4 OF 5
		REL LEVEL: Released	REV: T

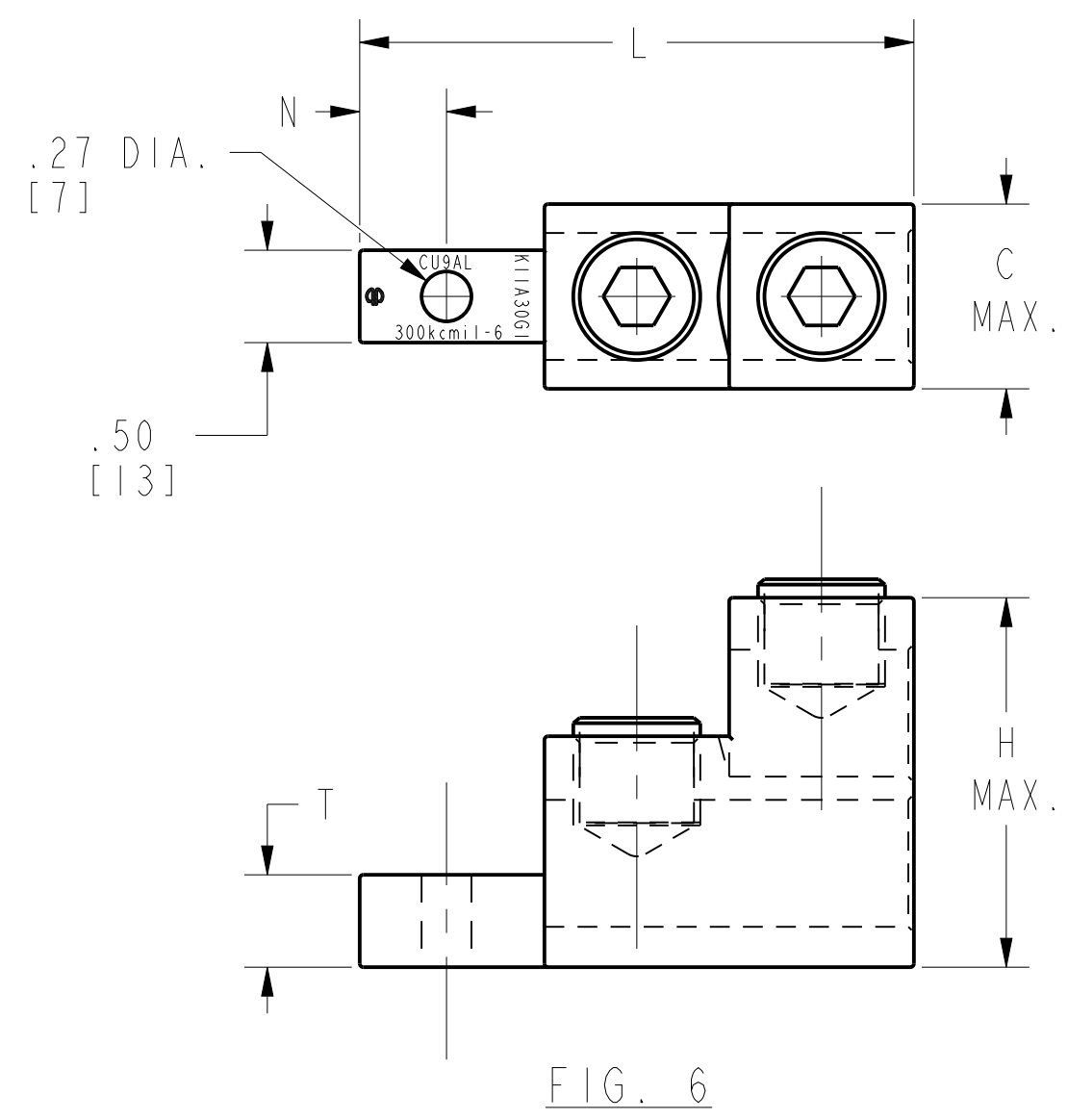
REV: CREO_08/10/21

REV	DATE	DESCRIPTION	ECO	BY	C'H'K.
T	2023-09-19 04:00:00 EDT	UPDATED AS PER MARKUPS	230824032880	RA	YR

CATALOG NUMBER	FIG. NO.	CONDUCTOR RANGE AL or CU (AWG/KCMIL)	BOLT HOLE SIZE	DIMENSIONS								RECOMMENDED TIGHTENING TORQUE: IN.LBS N.M
				C MAX.	D	E	H MAX.	K DIA.	L	N	T	
K11A30U	1	TWO: #6 - 300 KCMIL Class B & C #6 - 250 KCMIL Class G, H, I, K, & DLO	5/16" [M8]	1.02 [26]	.94 [24]	----	2.03 [52]	.33 [8]	3.00 [76]	.47 [12]	.50 [13]	275 (31)
K11A30G1	6	TWO: 6 STR. - 300 kcmil	1/4" [M6]	1.02 [26]	.94 [24]	----	2.03 [52]	.28 [7]	3.00 [76]	.47 [12]	.50 [13]	275 (31)
K11A34U2	2	TWO: 4/0 STR. - 500 kcmil	1/4" [M6]	1.45 [37]	1.66 [42]	.69 [18]	2.40 [61]	.28 [7]	2.91 [74]	.25 [6]	.75 [19]	375 (42)
K11A36U2	3	TWO: #2 - 600 KCMIL Class B & C #2 - 500 KCMIL Class G, H, I, K, & DLO	3/8" [M10]	1.52 [39]	2.31 [59]	1.38 [35]	3.02 [77]	.41 [10]	4.91 [125]	.38 [10]	.75 [19]	375 (42)
K11A39U2	3	TWO: #1/0 - 750 KCMIL Class B & C 1/0 - 600 KCMIL Class G, H, I, K, & DLO	3/8" [M10]	1.52 [39]	2.31 [59]	1.38 [35]	3.02 [77]	.41 [10]	4.91 [125]	.38 [10]	.75 [19]	375 (42)
K21A36U2	4	THREE: #2 - 600 KCMIL Class B & C #2 - 500 KCMIL Class G, H, I, K, & DLO	3/8" [M10]	2.49 [63]	2.31 [59]	1.38 [35]	3.03 [77]	.41 [10]	4.91 [125]	.38 [10]	.75 [19]	375 (42)
K22A36U2	5	FOUR: #2 - 600 KCMIL Class B & C #2 - 500 KCMIL Class G, H, I, K, & DLO	3/8" [M10]	2.49 [63]	2.31 [59]	1.38 [35]	3.03 [77]	.41 [10]	4.91 [125]	.38 [10]	.75 [19]	375 (42)
K22A39U2	5	FOUR: #1/0 - 750 KCMIL Class B & C 1/0 - 600 KCMIL Class G, H, I, K, & DLO	3/8" [M10]	2.86 [73]	2.31 [59]	1.38 [35]	3.02 [77]	.41 [10]	4.91 [125]	.38 [10]	.75 [19]	375 (42)



- NOTES:
- MATERIAL-BODY: ALUMINUM
SCREW: ALUMINUM
 - FINISH-BODY: TIN PLATED
SCREW: TIN PLATED
 - CONNECTORS ARE UL LISTED TO UL486A- 486B FOR ALUMINUM AND COPPER CONDUCTORS AT 90°C. STAMP MAY READ CU9AL OR AL9CU TO INDICATE THIS LISTING.
 - CONNECTORS ARE CSA CERTIFIED TO C22.2, NO. 65 FOR INDICATED CONDUCTOR RANGE.
 - "N" INDICATES NEMA STANDARD STUD HOLES.
 - LISTED TORQUE VALUES ARE FOR MAXIMUM CONDUCTOR SIZES ACCOMMODATED. CONSULT UL486 TABLES 7-4, 7-5, & 7-6 FOR SMALLER CONDUCTOR SIZES.
 - THE K11A30U AND K11A30G1 UNIVERSAL TERMINAL ARE NOT CSA LISTED.
 - DIMENSIONS IN BRACKETS [] ARE IN MILLIMETERS ROUNDED OFF TO THE NEAREST MILLIMETER, UNLESS OTHERWISE NOTED, AND ARE FOR REFERENCE ONLY.
 - NOT RECOMMENDED FOR USE IN HIGHLY CORROSIVE ENVIRONMENT.



CONNECTOR SIZE	TOLERANCES
8C - 25	±.09
26 - 34	±.12
35 AND UP	±.15

TO ORDER BURNDY@PRODUCTS CALL		UNIVERSAL TERMINAL	
UNITED STATES: 1-800-346-4175 (LONDONDERRY, NH)		ITEM NO: N/A	CAT. NO: K11A3-U-2 & K2-A3-U-2 (TABLE)
CANADA: 1-800-361-6975 (QUEBEC) 1-800-387-6487 (ALL OTHER PROVINCES)		DRAWN BY: P. LAPONIUS 04/10/97	CHECKER: J. MICHAUD 04/21/97
FOR PRODUCT INFO: http://www.burndy.com		DSN APPVL: K. MELLO 04/30/97	MFG APPVL: --
		GA APPVL: D. VARIO 05/01/97	MKT APPVL: P. WERTHMAN 05/01/97
		PROD FAM: CM&R_Mechanical	SCALE: 1:1
		PROJECT #: --	SIZE
		DOCUMENT TYPE: Sales	SE210997
		REL LEVEL: Released	D
		SHEET 5 OF 5	

REV: CREO_08/10/21