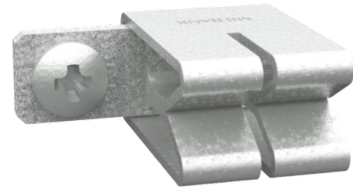




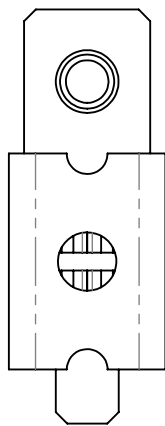
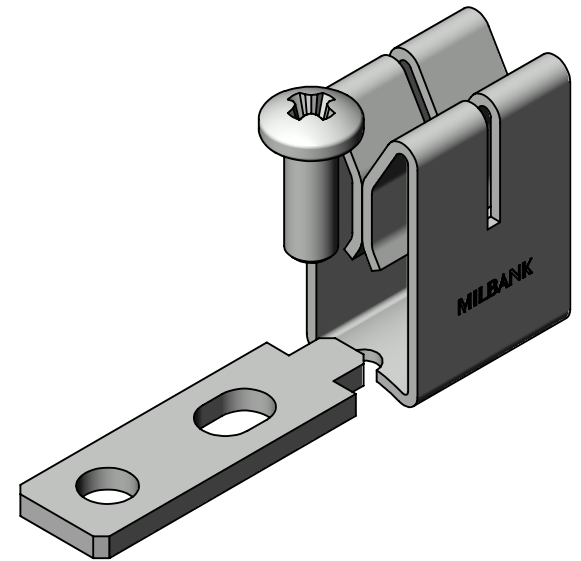
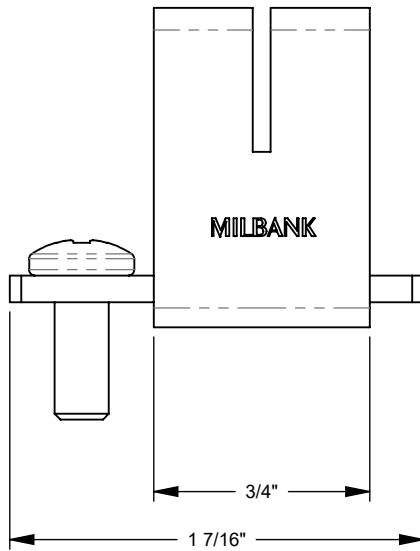
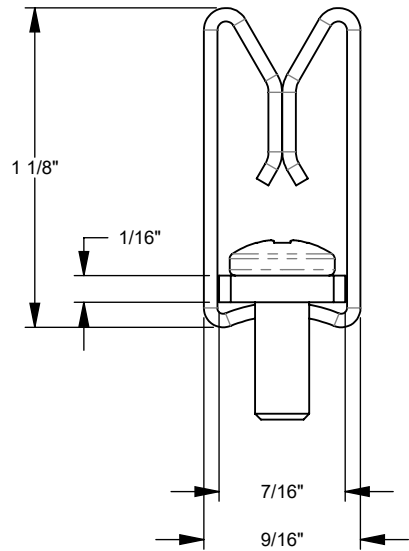
**MILBANK**<sup>®</sup>  
ENERGY AT WORK

## K3356



<b>Catalog Number</b>	K3356
<b>Marketing Product Description</b>	5th Terminal Kit
<b>UPC</b>	784572113800
<b>Length (IN)</b>	1.109
<b>Width (IN)</b>	8
<b>Height (IN)</b>	10
<b>Weight (LB)</b>	0.18
<b>Brand Name</b>	Milbank
<b>Type</b>	Fifth Terminal Kit
<b>Special Features</b>	3 OClock Position;9 OClock Position
<b>Application</b>	Metering Accessory
<b>Connection</b>	10-32 Screw
<b>Wire Size</b>	No Wire Required
<b>Terminal Size</b>	.414 x .414 x .5
<b>Voltage Rating</b>	600 Volts Alternating Current
<b>Material</b>	Copper
<b>Mounting</b>	Bolt In

Please consult serving utility for their requirements prior to ordering or installing, as specifications and approvals vary by utility and may require local electrical inspector approval. All installations must be installed by a licensed electrician and must comply with all national and local codes, laws and regulations. Milbank reserves the right to make changes in specifications and features shown without notice or obligation.



Version:

**1**

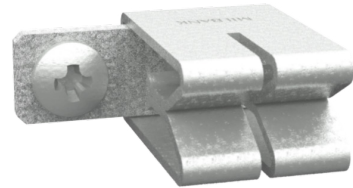
**All dimensions are +/-  $\frac{1}{16}''$ .  
Drawing views are not to scale.**

Please consult serving utility for their requirements prior to ordering or installing, as specifications and approvals vary by utility, and may require local electrical inspector approval. All installations must be installed by a licensed electrician and must comply with all national and local codes, laws and regulations. Milbank reserves the right to make changes in specifications and features shown without notice or obligation.



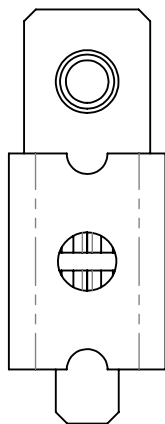
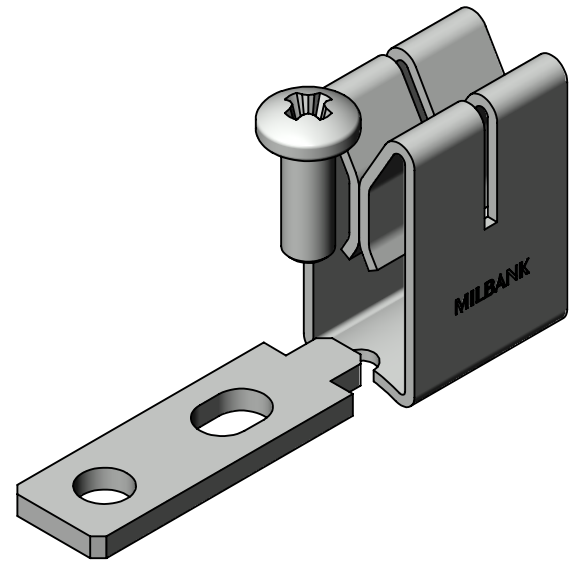
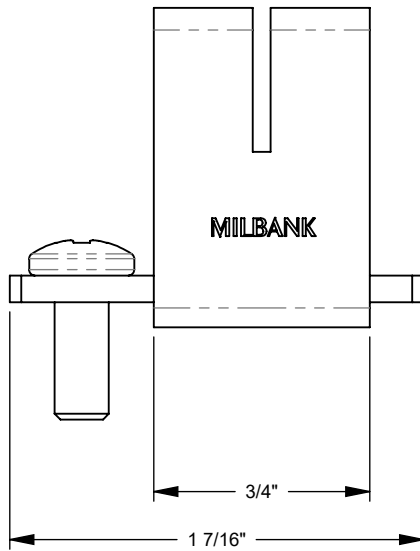
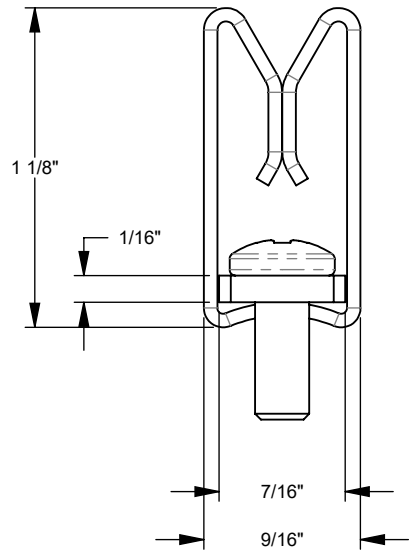
**MILBANK**<sup>®</sup>  
ENERGY AT WORK

## K3356



<b>Catalog Number</b>	K3356
<b>Marketing Product Description</b>	5th Terminal Kit
<b>UPC</b>	784572113800
<b>Length (IN)</b>	1.109
<b>Width (IN)</b>	8
<b>Height (IN)</b>	10
<b>Weight (LB)</b>	0.18
<b>Brand Name</b>	Milbank
<b>Type</b>	Fifth Terminal Kit
<b>Special Features</b>	3 OClock Position;9 OClock Position
<b>Application</b>	Metering Accessory
<b>Connection</b>	10-32 Screw
<b>Wire Size</b>	No Wire Required
<b>Terminal Size</b>	.414 x .414 x .5
<b>Voltage Rating</b>	600 Volts Alternating Current
<b>Material</b>	Copper
<b>Mounting</b>	Bolt In

Please consult serving utility for their requirements prior to ordering or installing, as specifications and approvals vary by utility and may require local electrical inspector approval. All installations must be installed by a licensed electrician and must comply with all national and local codes, laws and regulations. Milbank reserves the right to make changes in specifications and features shown without notice or obligation.



Version:

**1**

**All dimensions are +/- 1/16".  
Drawing views are not to scale.**

Please consult serving utility for their requirements prior to ordering or installing, as specifications and approvals vary by utility, and may require local electrical inspector approval. All installations must be installed by a licensed electrician and must comply with all national and local codes, laws and regulations. Milbank reserves the right to make changes in specifications and features shown without notice or obligation.