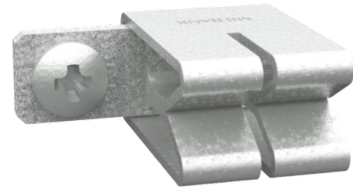




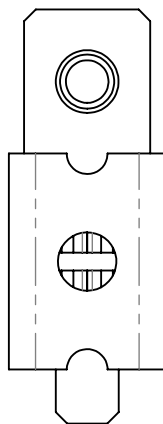
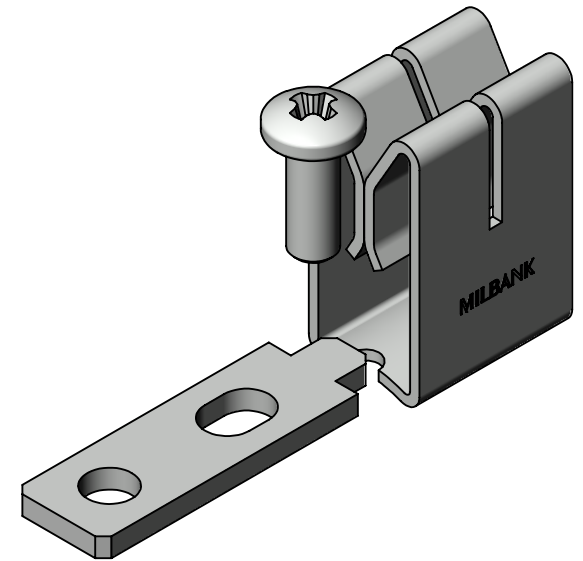
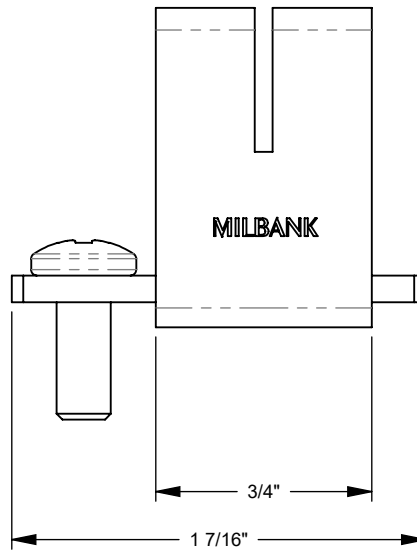
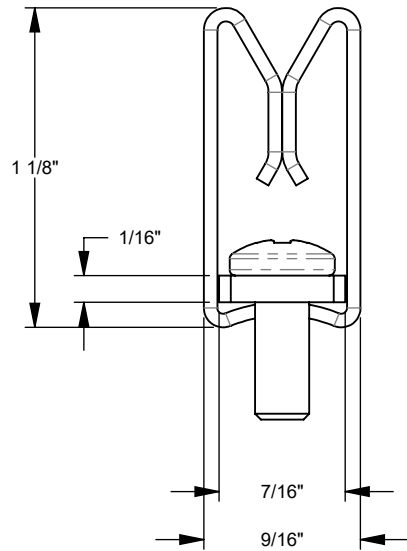
MILBANK[®]
ENERGY AT WORK

K3356



Catalog Number	K3356
Marketing Product Description	5th Terminal Kit
UPC	784572113800
Length (IN)	1.109
Width (IN)	8
Height (IN)	10
Weight (LB)	0.18
Brand Name	Milbank
Type	Fifth Terminal Kit
Special Features	3 OClock Position;9 OClock Position
Application	Metering Accessory
Connection	10-32 Screw
Wire Size	No Wire Required
Terminal Size	.414 x .414 x .5
Voltage Rating	600 Volts Alternating Current
Material	Copper
Mounting	Bolt In

Please consult serving utility for their requirements prior to ordering or installing, as specifications and approvals vary by utility and may require local electrical inspector approval. All installations must be installed by a licensed electrician and must comply with all national and local codes, laws and regulations. Milbank reserves the right to make changes in specifications and features shown without notice or obligation.



Version:

1

**All dimensions are +/- 1/16".
Drawing views are not to scale.**

Please consult serving utility for their requirements prior to ordering or installing, as specifications and approvals vary by utility, and may require local electrical inspector approval. All installations must be installed by a licensed electrician and must comply with all national and local codes, laws and regulations. Milbank reserves the right to make changes in specifications and features shown without notice or obligation.