

## K4100 & K4400 Series

### Stem Mounting

The K4100 & K4400 Series Photo Controls feature stem mounting, thermal-type, controls with single and multi-voltage models. Thermal-type photo controls provide dusk-to-dawn lighting control and a delay action, which eliminates loads switching OFF due to car headlights, and lightning. The thermal-type controls feature a cadmium sulfide photocell and a sonic-welded polycarbonate case and lens to seal out moisture. The design utilizes a dual temperature compensating bimetal and composite resistor for reliable long life operation over ambient temperature extremes. These models are California Title 24 compliant.

### Features

- Cadmium sulfide photocell
- Sonic welded polycarbonate housing and lens to seal out moisture
- Delay action eliminates load switching OFF due to car headlights, and lightning
- 6" leads
- Light level slide adjustment
- Controls come with a washer gasket and locking nut
- "M" Models are heavy duty die cast housings

### Ratings

Size:	1 9/16" (4.0 cm) square, 3" (7.6 cm) long Models with "M"- 1 15/16" (4.9 cm) square, 3 3/4" (9.5 cm) long
Color:	Gray
Electrical Rating:	See table
Activation:	1-5 FC ON; 3-15 FC OFF (photo eye clear on models with shield)
Power Consumption:	Averages under 1 Watt
Operating Temperature:	-40°F to 158°F (-40°C to 70°C)
Shipping Weight:	.14 lb. (.06 kg) Models with "M"- .62 lb (.28 kg)
Agency Listing:	See table

Model Number	Tungsten (Watts)	Ballast (VA)	Tungsten (Amps)	Ballast (Amps)	VAC	Agency Listing
K4121C	1800	1000	15	8.3	120	UL
K4421M	1800	1000	15	8.3	120	CSA, C/UL
K4123C	3100-4150	1700-2300	15	8.3	208-277	CSA, C/UL
K4423M	3100-4150	1700-2300	15	8.3	208-277	UL, CSA
K4127	5205	2880	15	8.3	347	CSA, C/UL
*K4135	7200	4000	15	8.3	480	
*K4136M	2000-4625	1800-4150	16.7	15	120 or 277	
*K4141C	3000	3000	25	25	120	

\*Models are not agency certified

Project: \_\_\_\_\_

Location: \_\_\_\_\_

Product Type: \_\_\_\_\_

Contact/Phone: \_\_\_\_\_

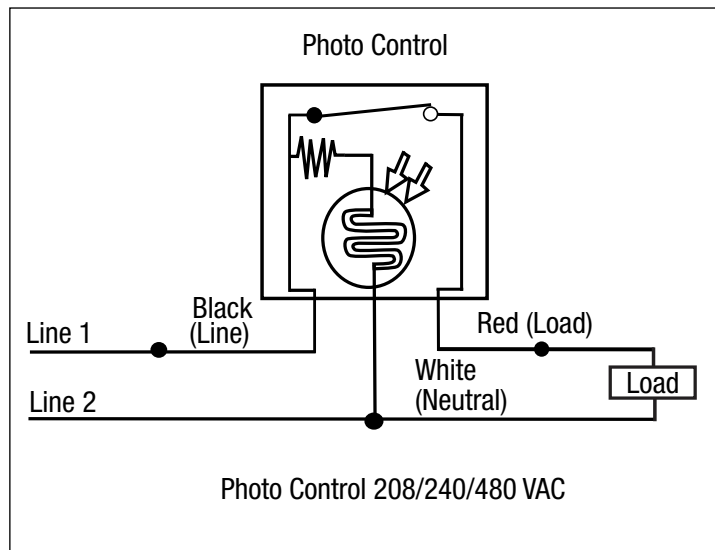
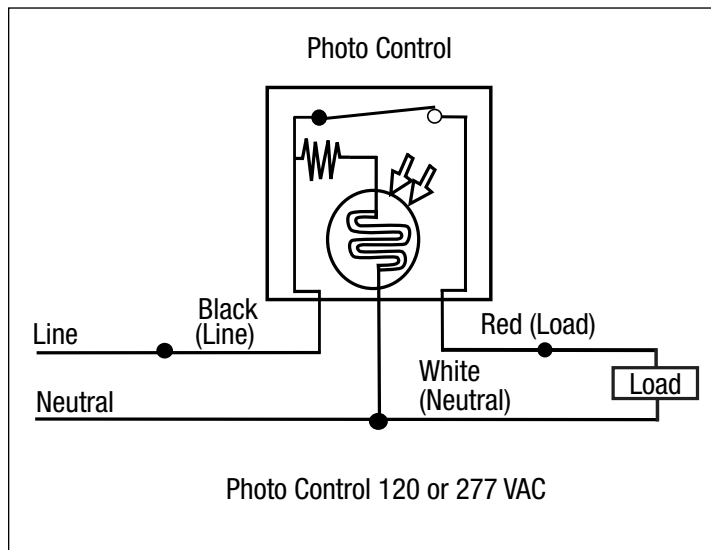
Model #: \_\_\_\_\_



## Specification

The photo control shall provide automatic switching for outdoor lighting loads. The control shall be a thermal design with built-in delay to ensure that the controlled lighting does not switch off due to ambient light or light striking the photocell. The photo control shall have a rating of \_\_\_\_ Watts and \_\_\_\_ Amps tungsten and \_\_\_\_ Watts and \_\_\_\_ Amps ballast based on agency testing at 50% power factor for ballast loads. The photo control shall provide switching for nominal voltage fixtures of \_\_\_\_ Volts  $\pm 10\%$  to accommodate fluctuations in supply voltage. The photo control shall be the stem mounting type, with all necessary mounting hardware and instructions. The photo control housing shall be constructed of \_\_\_\_\_ (polycarbonate)(die cast metal). The photo control components shall consist of a metal film resistor, dual temperature compensating bi-metal blades, snap action contact blades, chemically treated/polymer encapsulated cadmium sulfide photocell and silver alloy contacts to ensure reliable operation. The photo control shall be 100% factory tested for function within specified light levels. The photo control shall be agency certified (unless otherwise noted) and tested accordingly. The photo control shall function over temperature range of  $-40^{\circ}\text{F}$  to  $158^{\circ}\text{F}$  ( $-40^{\circ}\text{C}$  to  $70^{\circ}\text{C}$ ). The photo control shall be Intermatic model \_\_\_\_\_ (See Model Numbers Listed).

## Diagrams



## K4100 & K4400 Series

### Stem Mounting

The K4100 & K4400 Series Photo Controls feature stem mounting, thermal-type, controls with single and multi-voltage models. Thermal-type photo controls provide dusk-to-dawn lighting control and a delay action, which eliminates loads switching OFF due to car headlights, and lightning. The thermal-type controls feature a cadmium sulfide photocell and a sonic-welded polycarbonate case and lens to seal out moisture. The design utilizes a dual temperature compensating bimetal and composite resistor for reliable long life operation over ambient temperature extremes. These models are California Title 24 compliant.

### Features

- Cadmium sulfide photocell
- Sonic welded polycarbonate housing and lens to seal out moisture
- Delay action eliminates load switching OFF due to car headlights, and lightning
- 6" leads
- Light level slide adjustment
- Controls come with a washer gasket and locking nut
- "M" Models are heavy duty die cast housings

### Ratings

Size:	1 9/16" (4.0 cm) square, 3" (7.6 cm) long Models with "M"- 1 15/16" (4.9 cm) square, 3 3/4" (9.5 cm) long
Color:	Gray
Electrical Rating:	See table
Activation:	1-5 FC ON; 3-15 FC OFF (photo eye clear on models with shield)
Power Consumption:	Averages under 1 Watt
Operating Temperature:	-40°F to 158°F (-40°C to 70°C)
Shipping Weight:	.14 lb. (.06 kg) Models with "M"- .62 lb (.28 kg)
Agency Listing:	See table

Model Number	Tungsten (Watts)	Ballast (VA)	Tungsten (Amps)	Ballast (Amps)	VAC	Agency Listing
K4121C	1800	1000	15	8.3	120	UL
K4421M	1800	1000	15	8.3	120	CSA, C/UL
K4123C	3100-4150	1700-2300	15	8.3	208-277	CSA, C/UL
K4423M	3100-4150	1700-2300	15	8.3	208-277	UL, CSA
K4127	5205	2880	15	8.3	347	CSA, C/UL
*K4135	7200	4000	15	8.3	480	
*K4136M	2000-4625	1800-4150	16.7	15	120 or 277	
*K4141C	3000	3000	25	25	120	

\*Models are not agency certified

Project: \_\_\_\_\_

Location: \_\_\_\_\_

Product Type: \_\_\_\_\_

Contact/Phone: \_\_\_\_\_

Model #: \_\_\_\_\_



## Specification

The photo control shall provide automatic switching for outdoor lighting loads. The control shall be a thermal design with built-in delay to ensure that the controlled lighting does not switch off due to ambient light or light striking the photocell. The photo control shall have a rating of \_\_\_\_ Watts and \_\_\_\_ Amps tungsten and \_\_\_\_ Watts and \_\_\_\_ Amps ballast based on agency testing at 50% power factor for ballast loads. The photo control shall provide switching for nominal voltage fixtures of \_\_\_\_ Volts  $\pm 10\%$  to accommodate fluctuations in supply voltage. The photo control shall be the stem mounting type, with all necessary mounting hardware and instructions. The photo control housing shall be constructed of \_\_\_\_\_ (polycarbonate)(die cast metal). The photo control components shall consist of a metal film resistor, dual temperature compensating bi-metal blades, snap action contact blades, chemically treated/polymer encapsulated cadmium sulfide photocell and silver alloy contacts to ensure reliable operation. The photo control shall be 100% factory tested for function within specified light levels. The photo control shall be agency certified (unless otherwise noted) and tested accordingly. The photo control shall function over temperature range of  $-40^{\circ}\text{F}$  to  $158^{\circ}\text{F}$  ( $-40^{\circ}\text{C}$  to  $70^{\circ}\text{C}$ ). The photo control shall be Intermatic model \_\_\_\_\_ (See Model Numbers Listed).

## Diagrams

