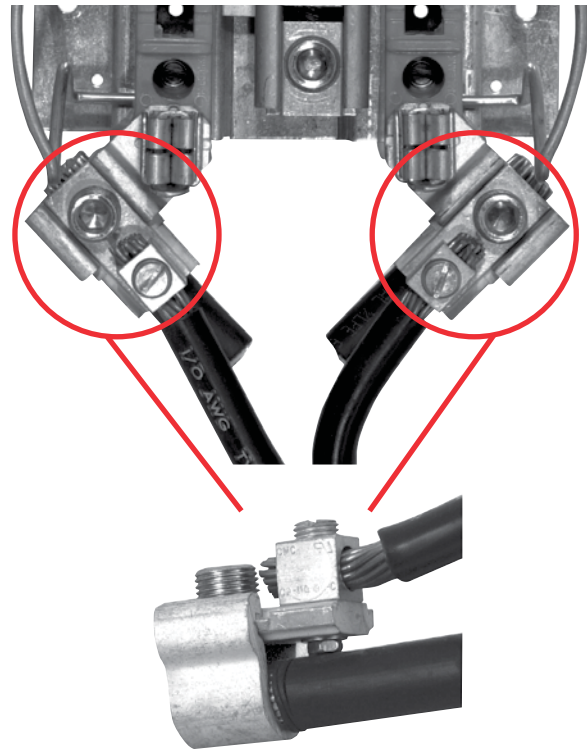


Milbank Accessories

Tap Connectors



K4977-EXT



Specifications & Features

- #6-350 kcmil connectors with 100 amp #12-1/0 tap.
- Replaces the existing slide-in nut assembly on Milbank 200 amp sockets and allows for up to 100 amp tap connection in addition to the #6-350 kcmil connectors.
- Connectors designed for either line-side or load-side installation.
- Available with both internal and external hex set screws.
- Ideal for line-side connection when incorporating renewable energy net metering that utilizes two meters.
- Also perfect for load-side 100 amp feeds to outdoor lighting, water well pumps, hot tubs, outbuildings, whole house surge suppressors and swimming pools.
- Contact Milbank for additional applications and details.

Tap Connectors

Catalog Number	Description	VAC
K4977-INT	Set of 3 tap connectors with internal hex set screw	Under 300
K4977-EXT	Set of 3 tap connectors with external hex set screw	Under 300
K5022	Set of 3 tap connectors with internal hex set screw	Over 300

Please consult serving utility for their requirements prior to ordering or installing, as specifications and approvals vary by utility, and may require local electrical inspector approval. All installations must be installed by a licensed electrician and must comply with all national and local codes, laws and regulations. Milbank reserves the right to make changes in specifications and features shown without notice or obligation.



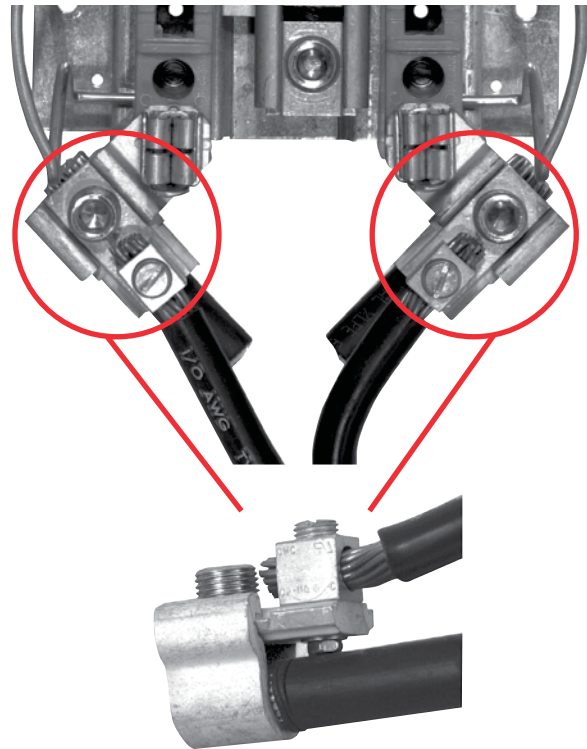
MILBANK
ENERGY AT WORK

Milbank Accessories

Tap Connectors



K4977-EXT



Specifications & Features

- #6-350 kcmil connectors with 100 amp #12-1/0 tap.
- Replaces the existing slide-in nut assembly on Milbank 200 amp sockets and allows for up to 100 amp tap connection in addition to the #6-350 kcmil connectors.
- Connectors designed for either line-side or load-side installation.
- Available with both internal and external hex set screws.
- Ideal for line-side connection when incorporating renewable energy net metering that utilizes two meters.
- Also perfect for load-side 100 amp feeds to outdoor lighting, water well pumps, hot tubs, outbuildings, whole house surge suppressors and swimming pools.
- Contact Milbank for additional applications and details.

Tap Connectors

Catalog Number	Description	VAC
K4977-INT	Set of 3 tap connectors with internal hex set screw	Under 300
K4977-EXT	Set of 3 tap connectors with external hex set screw	Under 300
K5022	Set of 3 tap connectors with internal hex set screw	Over 300

Please consult serving utility for their requirements prior to ordering or installing, as specifications and approvals vary by utility, and may require local electrical inspector approval. All installations must be installed by a licensed electrician and must comply with all national and local codes, laws and regulations. Milbank reserves the right to make changes in specifications and features shown without notice or obligation.



MILBANK
ENERGY AT WORK