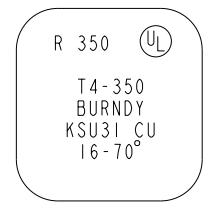


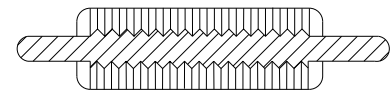
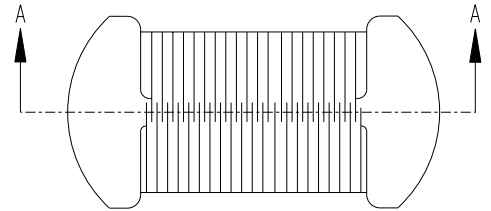
REV	DATE	DESCRIPTION	ECO	BY	C'H'K.
D	04/03/2014 00:00:00 AM	ARMED WIRE AND CABLE	35582	DK	MA

CATALOG NUMBER	FIG. NO.	COPPER AND ALUMINUM (AWG.)			A.C.S.R (AWG.)		
		RUN	TAP	MAX. CABLE COMBINATION	RUN	TAP	MAX. CABLE COMBINATION
		KSU17	2	12 STR. (.092)/12 SOL. (.081)	12 STR. (.092)/12 SOL. (.081)	TWO 6 SOL. (.162)	#8 (.158 DIA.) 6-1
KSU20	2	10 STR. (.116)/10 SOL. (.102)	10 STR. (.116)/10 SOL. (.102)	TWO 4 SOL. (.204)	#6 (.198 DIA.) 6-1	#6 (.198 DIA.) 6-1	TWO #6 (.198 DIA.) 6-1
KSU22	2	10 STR. (.116)/10 SOL. (.102)	10 STR. (.116)/10 SOL. (.102)	TWO 2 SOL. (.258)	#6 (.198 DIA.) 6-1	#6 (.198 DIA.) 6-1	TWO #4 (.257 DIA.) 7-1
KSU23	2	8 STR. (.148)	8 SOL. (.129)	TWO 2 STR. (.291)	#3 (.281 DIA.) 6-1	#6 (.198 DIA.) 6-1	TWO #2 (.316 DIA.) 6-1
KSU25	2	2 STR. (.292)	10 STR. (.116)	TWO 1/0 STR. (.373)	#3 (.281 DIA.) 6-1	#6 (.198 DIA.) 6-1	TWO #1 (.355 DIA.) 6-1
KSU26	2	2 STR. (.292)	8 STR. (.146)	TWO 2/0 STR. (.418)	#1 (.355 DIA.) 6-1	#6 (.198 DIA.) 6-1	TWO 1/0 (.398 DIA.) 6-1
KSU27	1	1 STR. (.332)	8 SOL. (.129)	TWO 3/0 STR. (.470)	#1 (.355 DIA.) 6-1	#8 (.158 DIA.) 6-1	TWO 2/0 (.447 DIA.) 6-1
KSU29	1	1 STR. (.332)	8 STR. (.146)	TWO 250 Kcmil (.575)	2/0 (.447 DIA.) 6-1	#6 (.198 DIA.) 6-1	TWO 4/0 (.563 DIA.) 6-1
KSU31	1	1/0 STR. (.373)	4 STR. (.232)	TWO 350 Kcmil (.681)	3/0 (.502 DIA.) 6-1	#4 (.250 DIA.) 6-1	TWO 4/0 (.563 DIA.) 6-1
KSU34	1	400 Kcmil (.728)	2 STR. (.291)	TWO 500 Kcmil (.814)	336.4 Kcmil (.741 DIA.) 30-7	#2 (.316 DIA.) 6-1	TWO 477 Kcmil (.814 DIA.) 18-1
KSU39	1	500 Kcmil (.813)	1/0 STR. (.373)	TWO 750 Kcmil (.998)	477 Kcmil (.814 DIA.) 18-1	1/0 (.398 DIA.) 6-1	TWO 666.6 Kcmil (1.000 DIA.) 24-7
KSU44	1	750 Kcmil (.998)	2/0 STR. (.418)	TWO 1000 Kcmil (1.152)	666.6 Kcmil (1.000 DIA.) 24-7	2/0 (.447 DIA.) 6-1	TWO 874.5 Kcmil (1.146 DIA.) 54-7



TYPICAL LETTERING

CATALOG NUMBER	FIG. NO.	COPPER AND ALUMINUM			A.C.S.R		
		RUN	TAP	MAX. CABLE COMBINATION	RUN	TAP	MAX. CABLE COMBINATION
		KSU17	2	4mm ² STR. [2.7]/4mm ² SOL. [2.3]	4mm ² STR. [2.7]/4mm ² SOL. [2.3]	TWO 10mm ² SOL. [3.2]	16/2.5 [5.4 DIA.] 6-1
KSU20	2	6mm ² STR. [3.3]/6mm ² SOL. [2.8]	6mm ² STR. [3.3]/6mm ² SOL. [2.8]	TWO 16mm ² STR. [5.1]	16/2.5 [5.4 DIA.] 6-1	16/2.5 [5.4 DIA.] 6-1	-----
KSU22	2	6mm ² STR. [3.3]/6mm ² SOL. [2.8]	6mm ² STR. [3.3]/6mm ² SOL. [2.8]	TWO 25mm ² STR. [6.3]	16/2.5 [5.4 DIA.] 6-1	16/2.5 [5.4 DIA.] 6-1	TWO 16/2.5 [5.4 DIA.] 6-1
KSU23	2	10mm ² STR. [4.0]	10mm ² SOL. [4.0]	TWO 35mm ² STR. [7.5]	35/6mm ² [8.1] DIA. 6-1	16/2.5 [5.4 DIA.] 6-1	TWO 35/6 [8.1 DIA.] 6-1
KSU25	2	35mm ² STR. [7.5]	6mm ² STR. [3.3]	TWO 50mm ² STR. [9.0]	35/6mm ² [8.1] DIA. 6-1	16/2.5 [5.4 DIA.] 6-1	TWO 35/6 [8.1 DIA.] 6-1
KSU26	2	35mm ² STR. [7.5]	10mm ² STR. [4.0]	TWO 70mm ² STR. [10.5]	50/8 [9.6 DIA.] 6-1	16/2.5 [5.4 DIA.] 6-1	TWO 50/8 [9.6 DIA.] 6-1
KSU27	1	50mm ² STR. [9.0]	10mm ² STR. [4.0]	TWO 95mm ² STR. [12.5]	50/8 [9.6 DIA.] 6-1	16/2.5 [5.4 DIA.] 6-1	TWO 44/32 [11.2 DIA.] 14-7
KSU29	1	50mm ² STR. [9.0]	10mm ² STR. [4.0]	TWO 120mm ² STR. [14.0]	70/12 [11.7 DIA.] 26-7	16/2.5 [5.4 DIA.] 6-1	TWO 95/15 [13.6 DIA.] 26-7
KSU31	1	70mm ² STR. [10.5]	16mm ² STR. [5.1]	TWO 185mm ² STR. [17.5]	95/15 [13.6 DIA.] 26-7	25/4 [6.8 DIA.] 6-1	TWO 95/15 [13.6 DIA.] 26-7
KSU34	1	240mm ² STR. [20.6]	35mm ² STR. [7.5]	TWO 240mm ² STR. [20.6]	170/40 [18.9 DIA.] 30-7	35/6 [8.1 DIA.] 6-1	TWO 210/35 [20.3 DIA.] 26-7
KSU39	1	240mm ² STR. [20.6]	50mm ² STR. [9.0]	TWO 300mm ² STR. [27.5]	210/50 [21.0 DIA.] 30-7	44/32 [11.2 DIA.] 14-7	TWO 340/30 [25.0 DIA.] 48-7
KSU44	1	300mm ² STR. [22.5]	70mm ² STR. [10.5]	TWO 500mm ² STR. [29.1]	380/50 [27.0 DIA.] 54-7	50/30 [11.7 DIA.] 12-7	TWO 435/55 [288 DIA.] 54-7



SECTION A-A

VIEW OF TYPICAL SPACER USED WITH TYPICAL PRESSURE BAR AND BODY

- NOTES:
- MATERIAL: COPPER ALLOY
 - FINISH: TIN PLATED
 - IN KSU26, SPACER ON DWG. A-20268 IS AN ACCEPTABLE ALTERNATE. WITH THIS SPACER, MIN. RUN CONDUCTOR IS 1/0 STR. (.373 DIA.).
 - DIMENSIONS IN BRACKET [] ARE IN MILLIMETERS ROUNDED OFF TO THE NEAREST MILLIMETER, UNLESS OTHERWISE NOTED, AND ARE FOR REFERENCE ONLY.
 - KSU SERVITS® ARE MANUFACTURED WITH SERRATIONS LOCATED IN THE BODY, (PRESSURE BAR SERRATIONS OPTIONAL) AND SPACER.
 - CONDUCTORS IN ABOVE TABLES MAY BE USED IN ANY COMBINATION PROVIDED THEY FALL WITHIN THE RANGE OF THE SIZE SERVIT® USED. THIS SERVIT® CAN ALSO ACCOMMODATE STEEL AND STEEL - COPPER COMPOSITE CABLE OF EQUIVALENT DIAMETERS IN ANY COMBINATION.
 - SPECIAL INSTRUCTION FOR ALUMINUM CONDUCTORS: WHEN USED ON ALUMINUM CONDUCTORS, SMEAR PENETROX™ 'A' OR EQUIVALENT ON THE CONDUCTOR STRANDS. SCRATCH BRUSHING THE ALUMINUM CONDUCTORS (BUT NOT THE CONNECTOR) AFTER APPLYING THE COMPOUND IS RECOMMENDED. PENETROX™ 'A' MAY BE PURCHASED FROM BURNDY® PRODUCTS.
 - THIS DRAWING TO BE INTERPRETED PER ASME Y14.5M-1994.
 - UL 486A LISTED, FILE NO. E9498.; COPPER CONDUCTORS ONLY.
 - FOR NICKEL PLATED PARTS ADD SUFFIX "NK".

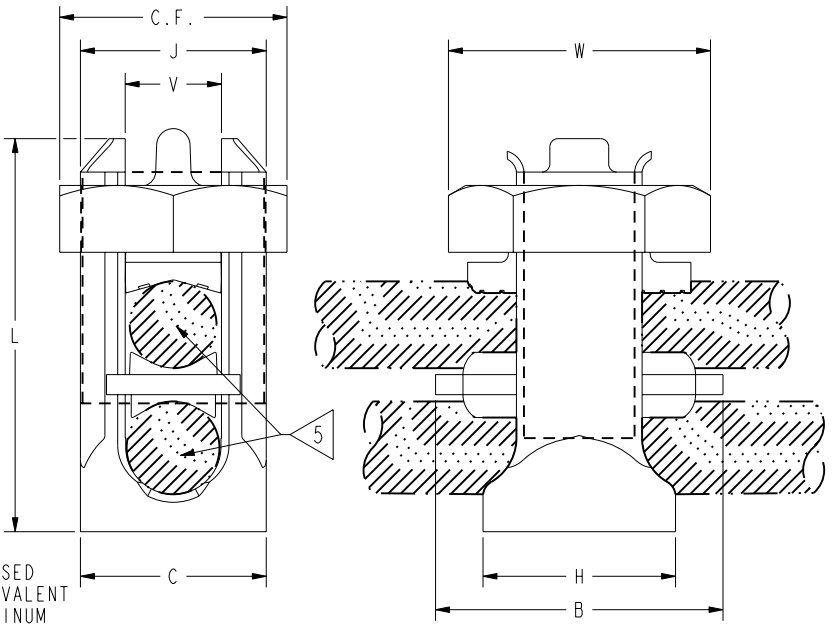


FIG. 1

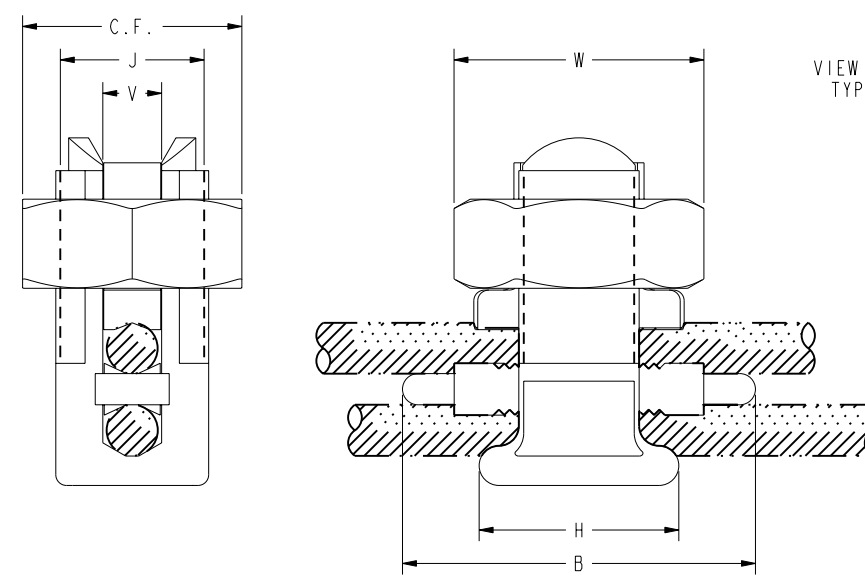


FIG. 2

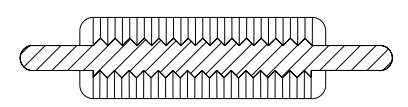
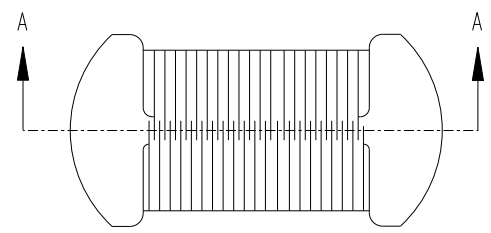
TO ORDER BURNDY® PRODUCTS CALL		UNIVERSAL SERVIT®	
UNITED STATES 1-800-346-4175 (LONDONDERRY, NH)		ITEM NO: N/A	CAT. NO: KSU-- (TABLE)
CANADA: 1-800-361-6975 (QUEBEC) 1-800-387-6487 (ALL OTHER PROVINCES)		DRAWN BY: P HARRICK 11/04/58	CHECKER: ERD 12/02/58
FOR PRODUCT INFO: http://www.burndy.com		DSN APPVL: --	MFG APPVL: --
		QA APPVL: --	MKT APPVL: --
		PROD FAM: --	SCALE: 1:1
		PROJECT #: --	SIZE: D
		DOCUMENT TYPE: Sales	DRAWING NO: SD041343
		REL LEVEL: Released	SHEET 1 OF 2

SUPERSEDES DRAWINGS: SD78307, SD85473

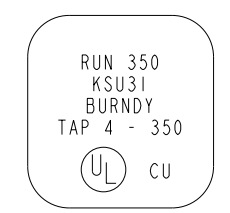
DRAWING NO.
SD041343

REV	DATE	DESCRIPTION	ECO	BY	C'H'K.
D	04/03/2014 00:00:00 AM	ADDED NOTE AND CALL OUT	35582	DK	MA

CATALOG NUMBER	FIG. NO.	B REF.	C MIN.	C.F. REF.	H MIN.	J	L MAX.	V REF.	W REF.
KSU17	2	1.00 [25]	.42 [11]	.62 [15]	.53 [13]	7/16"-20NF-2	1.14 [29]	.17 [4]	.70 [17]
KSU20	2	1.06 [26]	.48 [12]	.69 [17]	.56 [14]	1/2"-20NF-2	1.35 [34]	.22 [5]	.78 [19]
KSU22	2	1.10 [27]	.57 [14]	.74 [18]	.63 [16]	19/32"-20NF-2	1.46 [37]	.26 [6]	.84 [21]
KSU23	2	1.19 [29]	.59 [15]	.81 [20]	.65 [17]	5/8"-18NF-2	1.56 [40]	.32 [8]	.94 [23]
KSU25	2	1.33 [33]	.70 [18]	.93 [23]	.78 [20]	3/4"-16NF-2	1.77 [45]	.39 [9]	1.05 [26]
KSU26	2	1.45 [36]	.79 [20]	1.04 [25]	.87 [22]	7/8"-14NF-2	1.95 [50]	.44 [11]	1.19 [29]
KSU27	1	2.08 [51]	1.12 [28]	1.38 [34]	1.31 [33]	1 1/8"-12NF-2	2.36 [60]	.55 [14]	1.58 [39]
KSU29	1	1.70 [43]	1.22 [31]	1.38 [34]	1.16 [29]	1 1/8"-12NF-2	2.66 [68]	.60 [15]	1.58 [39]
KSU31	1	1.75 [43]	1.36 [35]	1.69 [41]	1.41 [36]	1 3/8"-12NF-2	3.00 [76]	.70 [17]	1.91 [47]
KSU34	1	2.72 [67]	1.47 [37]	1.79 [45]	1.47 [37]	1 7/16"-12NF-2	3.46 [88]	.85 [21]	2.28 [56]
KSU39	1	3.22 [79]	1.62 [41]	2.31 [59]	2.31 [59]	1 7/8"-12NF-2	3.75 [95]	1.01 [25]	2.62 [64]
KSU44	1	3.44 [84]	1.88 [48]	2.56 [65]	2.56 [65]	2 1/8"-12NF-2	4.25 [108]	1.17 [29]	2.91 [71]



SECTION A-A
VIEW OF TYPICAL SPACER USED WITH TYPICAL PRESSURE BAR AND BODY



TYPICAL LETTERING

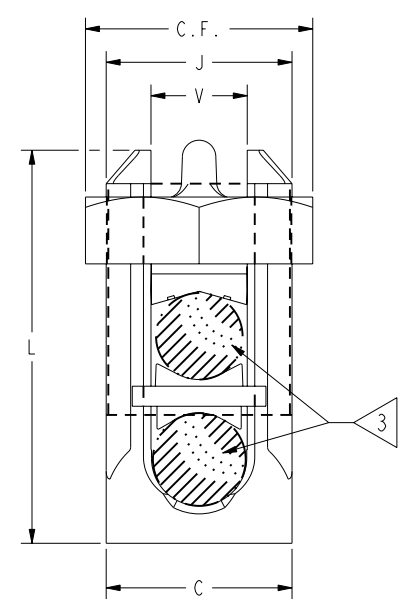


FIG. 1

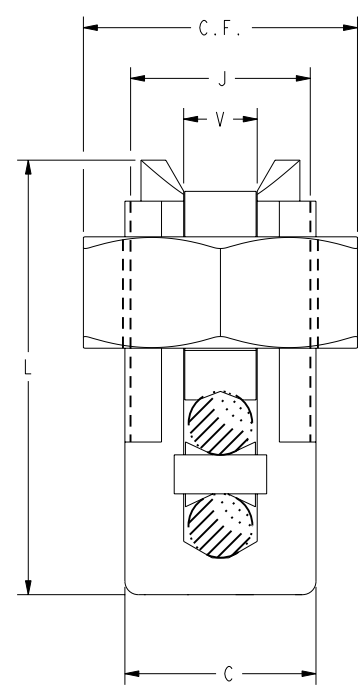
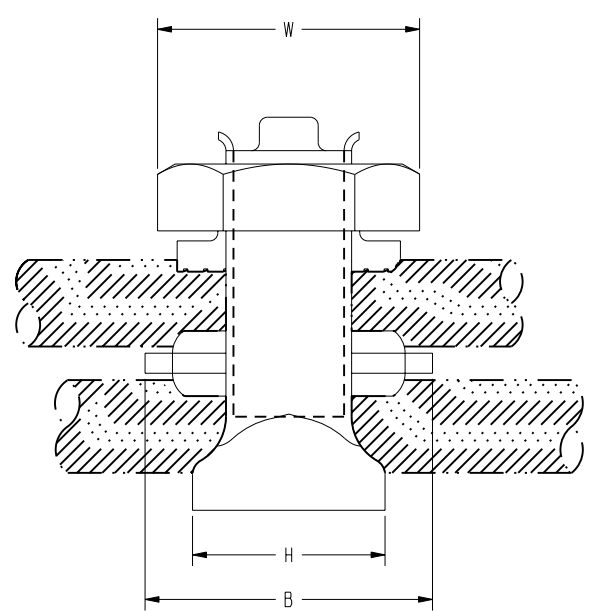
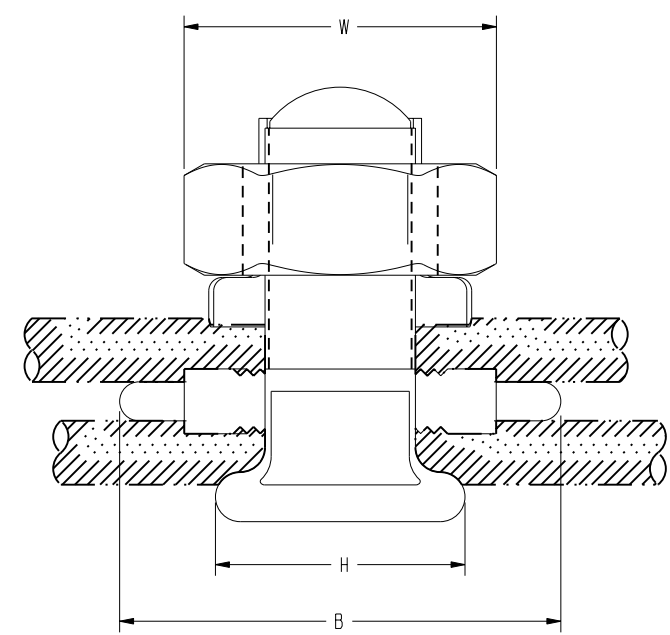


FIG. 2



SEE NOTE ON SHEET #1

TO ORDER BURNDY® PRODUCTS CALL		UNIVERSAL SERVIT®	
UNITED STATES		ITEM NO: N/A	
1-800-346-4175 (LONDONDERRY, NH)		CAT. NO: KSU-- (TABLE)	
CANADA:		DRAWN BY: P HARRICK 11/04/58	
1-800-361-6975 (QUEBEC)		CHECKER: ERD 12/02/58	
1-800-387-6487 (ALL OTHER PROVINCES)		DSN APPVL: --	
FOR PRODUCT INFO: http://www.burndy.com		MFG APPVL: --	
		QA APPVL: --	
		MKT APPVL: --	
		PROJ #: --	SCALE: 1:1
		PROJ #: --	DRAWING NO
		SIZE	REV
		D	SD041343
		REL LEVEL: Released	SHEET 2 OF 2

SUPERSEDES DRAWINGS: SD78307, SD85473

REV: PE0200