

FEATURES & SPECIFICATIONS

INTENDED USE

Recessed housing rated IC or Non-IC. L3 R6 is for new construction only. L3 RR6 is for remodel applications only. Approved for direct burial in insulation.

CONSTRUCTION

Air-tight standard. Tested to meet current energy codes.

Aluminum housing with galvanized steel pan.

Galvanized bar hangers span up to 24" o.c. and feature stepped shank nail and positioning guide with integral T-bar locks. Two locking screws hold fixture in position.

Galvanized steel junction box with four built-in Romex clamps. Four 1/2" and two 3/4" knockouts with slots for pryout. Rated for through branch wiring.

Maximum 4 (2 in, 2 out) No. 12 AWG conductors. Rated for 90° C.

Ground wire provided.

Removable J-box doors for easy access.

ELECTRICAL SYSTEM

Durable medium-base porcelain socket with nickel plated copper alloy screw shell and contact.

Socket clips to top of housing to prevent paint overspray in socket screw shell.

Socket attaches to reflector to ensure proper and consistent lamp position.

Thermal protection provided against improper lamp usage.

120 volt only.

INSTALLATION

Air-tight housing suitable for air-tight installations. Refer to energy codes for proper installations.

2x8 and 2x6 wood joist or T-bar installation.

Expandable bar hangers allow for off-center mounting in wood joist or T-bar ceilings. Length of 25-1/2" maximum 13-1/4" minimum or cut to fit 5-1/2" on center joist construction.

Vertical adjustment of housing allows for flush mounting with ceiling face.

Suitable for ceilings up to 1-1/2" thick.

LISTING

U.L. Listed to US and Canadian safety standards (see Options).

Damp location listed.

See trim selection for wet location listed.

WARRANTY

Fixtures are covered by Lithonia Lighting 24-month warranty against mechanical defects in manufacture.

| |
|----------------|
| Catalog Number |
| Notes |
| Type |

Contractor Select Incandescent

4" Housings

IC/Non IC
New Construction
Remodel



L3



L3R

Specifications

Height: 5-1/4 (13.3)

Length: 13-1/4 (33.7)

Width: 12-3/16 (30.9)

Ceiling Opening: 4-3/16 (10.6)

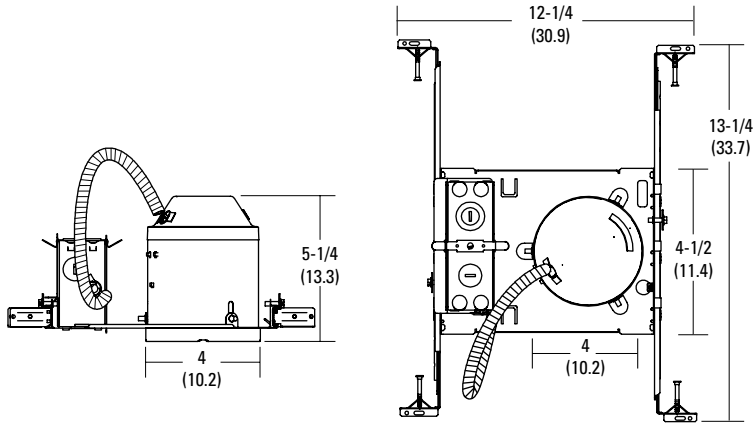
All dimensions are inches (centimeters).

ORDERING INFORMATION

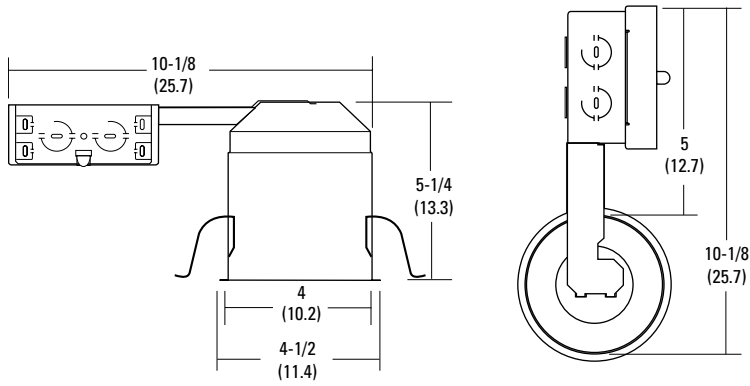
Must be ordered in standard carton quantity multiples.

| Catalog Number | UPC | Description | Pallet Qty. | Standard Carton Qty. |
|----------------|--------------|-------------------------------------|-------------|----------------------|
| L3 R6 | 745973345313 | 4" new construction IC/non-IC rated | 144 | 6 |
| L3R R6 | 745973345566 | 4" remodel IC/non-IC rated | 312 | 6 |

4" Housings



L3



L3R

FEATURES & SPECIFICATIONS

INTENDED USE

Recessed housing rated IC or Non-IC. L3 R6 is for new construction only. L3 RR6 is for remodel applications only. Approved for direct burial in insulation.

CONSTRUCTION

Air-tight standard. Tested to meet current energy codes.

Aluminum housing with galvanized steel pan.

Galvanized bar hangers span up to 24" o.c. and feature stepped shank nail and positioning guide with integral T-bar locks. Two locking screws hold fixture in position.

Galvanized steel junction box with four built-in Romex clamps. Four 1/2" and two 3/4" knockouts with slots for pryout. Rated for through branch wiring.

Maximum 4 (2 in, 2 out) No. 12 AWG conductors. Rated for 90° C.

Ground wire provided.

Removable J-box doors for easy access.

ELECTRICAL SYSTEM

Durable medium-base porcelain socket with nickel plated copper alloy screw shell and contact.

Socket clips to top of housing to prevent paint overspray in socket screw shell.

Socket attaches to reflector to ensure proper and consistent lamp position.

Thermal protection provided against improper lamp usage.

120 volt only.

INSTALLATION

Air-tight housing suitable for air-tight installations. Refer to energy codes for proper installations.

2x8 and 2x6 wood joist or T-bar installation.

Expandable bar hangers allow for off-center mounting in wood joist or T-bar ceilings. Length of 25-1/2" maximum 13-1/4" minimum or cut to fit 5-1/2" on center joist construction.

Vertical adjustment of housing allows for flush mounting with ceiling face.

Suitable for ceilings up to 1-1/2" thick.

LISTING

U.L. Listed to US and Canadian safety standards (see Options).

Damp location listed.

See trim selection for wet location listed.

WARRANTY

Fixtures are covered by Lithonia Lighting 24-month warranty against mechanical defects in manufacture.

| |
|----------------|
| Catalog Number |
| Notes |
| Type |

Contractor Select Incandescent

4" Housings

IC/Non IC
New Construction
Remodel



L3



L3R

Specifications

Height: 5-1/4 (13.3)

Length: 13-1/4 (33.7)

Width: 12-3/16 (30.9)

Ceiling Opening: 4-3/16 (10.6)

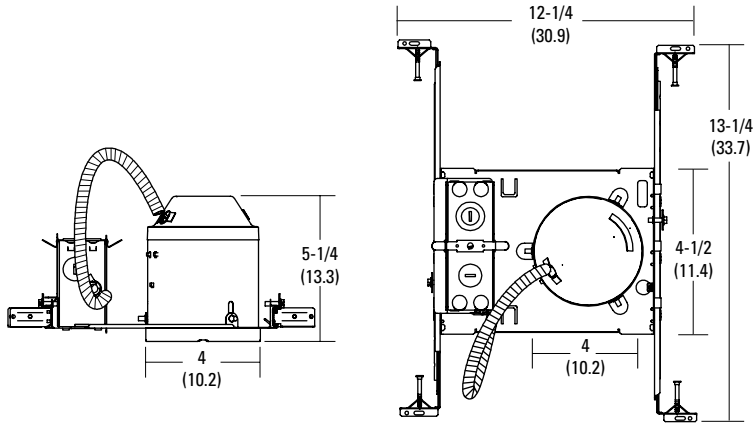
All dimensions are inches (centimeters).

ORDERING INFORMATION

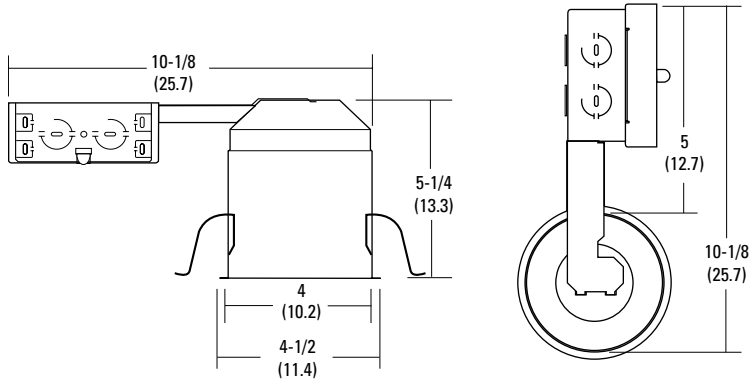
Must be ordered in standard carton quantity multiples.

| Catalog Number | UPC | Description | Pallet Qty. | Standard Carton Qty. |
|----------------|--------------|-------------------------------------|-------------|----------------------|
| L3 R6 | 745973345313 | 4" new construction IC/non-IC rated | 144 | 6 |
| L3R R6 | 745973345566 | 4" remodel IC/non-IC rated | 312 | 6 |

4" Housings



L3



L3R