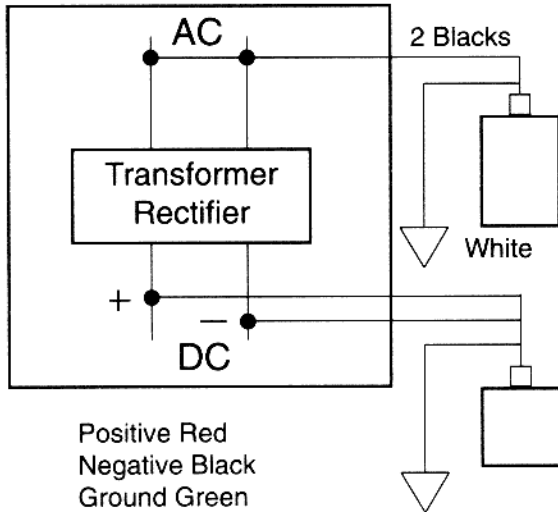




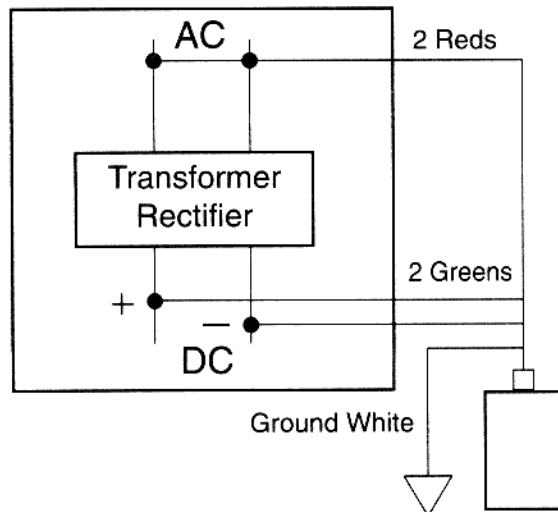
DIRECT CURRENT ARRESTOR

SILICON OXIDE ARRESTOR FOR CATHODIC PROTECTORS AND OTHER LIMITED CURRENT DC APPLICATIONS



LA602: 480V three wire unit to protect the AC circuit

LA302DC: 0-500V three wire unit to protect the DC circuit



LA104: Combination Unit, Combines LA602 with LA302DC in one enclosure

18 inch leads



Weatherproof Enclosure
2-1/4" High, 2-1/4" Diameter
LA 302 DC

36 inch leads



Weatherproof Enclosure
4-1/2" High, 2-1/4" Diameter
LA 602 & LA 104

Conduction Characteristics

8 X 20 microsecond wave shape
ANSI IEEE NEMA STANDARD

DISCHARGE CURRENT	5000 A	10,000 A	20,000 A	40,000 A	60,000 A	80,000 A	100,000 A	AMPERAGE
LA 602	450 V	920 V	1040 V	1500 V	2300 V	4000 V	5000 V	CLAMPING VOLTAGE LINE TO NEUTRAL
LA 302 DC	240 V	480 V	840 V	1300 V	2000 V	3000 V	4000 V	CLAMPING VOLTAGE LINE TO NEUTRAL

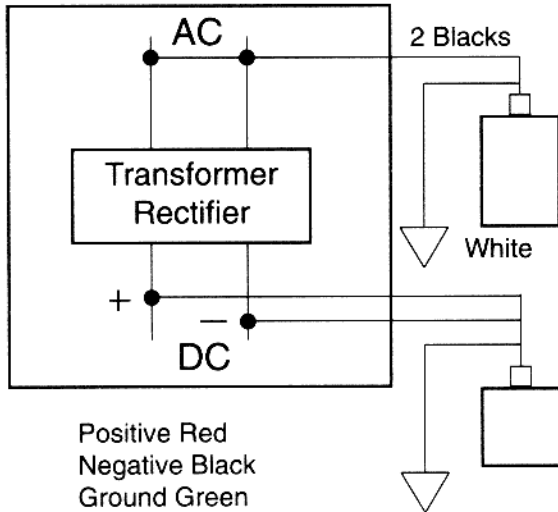
DELTA LIGHTNING ARRESTORS™, INC.

P. O. BOX 750
BIG SPRING, TEXAS 79721



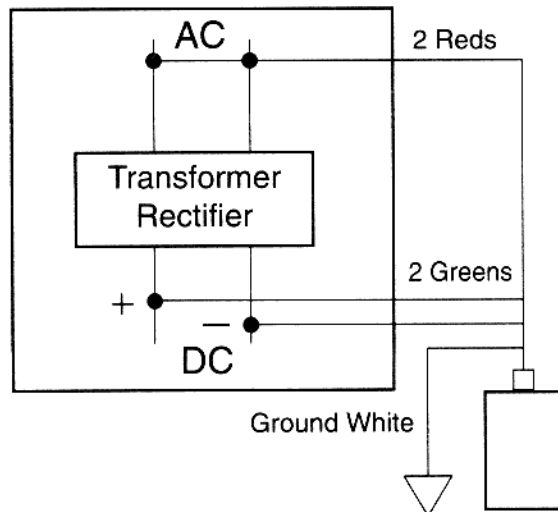
DIRECT CURRENT ARRESTOR

SILICON OXIDE ARRESTOR FOR CATHODIC PROTECTORS AND OTHER LIMITED CURRENT DC APPLICATIONS



LA602: 480V three wire unit to protect the AC circuit

LA302DC: 0-500V three wire unit to protect the DC circuit



LA104: Combination Unit, Combines LA602 with LA302DC in one enclosure

18 inch leads



Weatherproof Enclosure
2-1/4" High, 2-1/4" Diameter
LA 302 DC

36 inch leads



Weatherproof Enclosure
4-1/2" High, 2-1/4" Diameter
LA 602 & LA 104

Conduction Characteristics

8 X 20 microsecond wave shape
ANSI IEEE NEMA STANDARD

DISCHARGE CURRENT	5000 A	10,000 A	20,000 A	40,000 A	60,000 A	80,000 A	100,000 A	AMPERAGE
LA 602	450 V	920 V	1040 V	1500 V	2300 V	4000 V	5000 V	CLAMPING VOLTAGE LINE TO NEUTRAL
LA 302 DC	240 V	480 V	840 V	1300 V	2000 V	3000 V	4000 V	CLAMPING VOLTAGE LINE TO NEUTRAL

DELTA LIGHTNING ARRESTORS™, INC.

P. O. BOX 750
BIG SPRING, TEXAS 79721