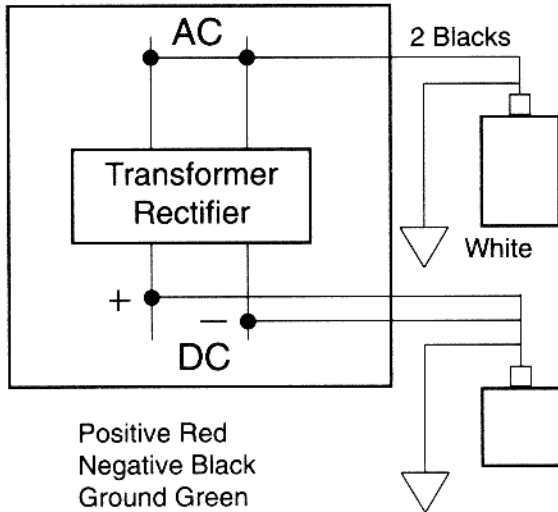




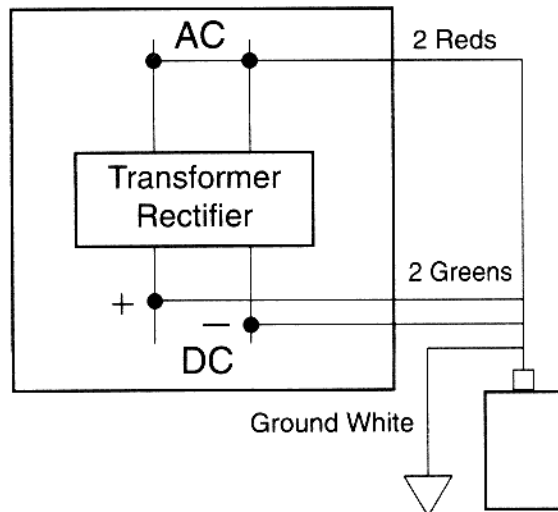
# DIRECT CURRENT ARRESTOR

SILICON OXIDE ARRESTOR FOR CATHODIC PROTECTORS AND OTHER LIMITED CURRENT DC APPLICATIONS



LA602: 480V three wire unit to protect the AC circuit

LA302DC: 0-500V three wire unit to protect the DC circuit



LA104: Combination Unit, Combines LA602 with LA302DC in one enclosure

18 inch leads



Weatherproof Enclosure  
2-1/4" High, 2-1/4" Diameter  
LA 302 DC

36 inch leads



Weatherproof Enclosure  
4-1/2" High, 2-1/4" Diameter  
LA 602 & LA 104

## Conduction Characteristics

8 X 20 microsecond wave shape  
ANSI IEEE NEMA STANDARD

| DISCHARGE CURRENT | 5000 A | 10,000 A | 20,000 A | 40,000 A | 60,000 A | 80,000 A | 100,000 A | AMPERAGE                            |
|-------------------|--------|----------|----------|----------|----------|----------|-----------|-------------------------------------|
| LA 602            | 450 V  | 920 V    | 1040 V   | 1500 V   | 2300 V   | 4000 V   | 5000 V    | CLAMPING VOLTAGE<br>LINE TO NEUTRAL |
| LA 302 DC         | 240 V  | 480 V    | 840 V    | 1300 V   | 2000 V   | 3000 V   | 4000 V    | CLAMPING VOLTAGE<br>LINE TO NEUTRAL |

**DELTA LIGHTNING ARRESTORS™, INC.**

P. O. BOX 750  
BIG SPRING, TEXAS 79721