



Conduit Bodies and Covers for General Service Locations

Description:

Plasti-Bond REDH₂OT conduit bodies with covers are offered in Form 8 and Form 7 styles, each with numerous configurations to provide a complete coated conduit system. May be used to make 90° bends, for pull outlets, to provide for taps or splices, to act as a mounting outlet for wiring devices or lighting fixtures, etc. Form 8 style fittings 1/2" – 4" have an integral V-Seal gasket for superior corrosion protection. Electrical continuity of the conduit system is maintained across assembled joints.

Features:

- 40 mil gray PVC exterior coating
- 2 mil red urethane interior coating
- 10 trade sizes from 1/2" through 4"
- Sealing sleeves on all conduit openings
- Form 7 style cover uses retained stainless screw and wedge clip design
- Form 8 style cover uses plastic encapsulated stainless steel screws with retainers built into covers for trade sizes 1/2" through 2"
- Integral V-Seal gasket on Form 8 style, sizes 1/2" through 4"

Standards:

Steel and Aluminum

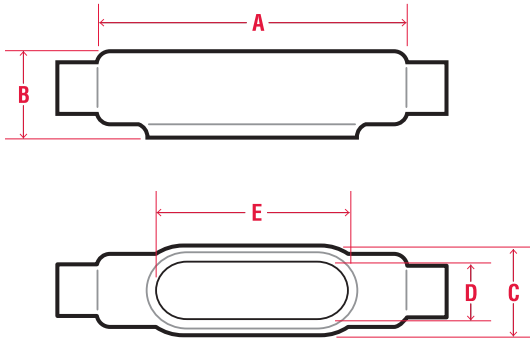
- UL 514A, 514D (E231035)
 - CSA C22.2 No. 18, CSA C22.2 No. 42
- #### Form 8 & Mark 9 Fittings – 1/2" – 4"
- IEC IP69
 - UL Type 4X

Note: Form 7 fittings are not available with encapsulated screws.

All cover screws are stainless steel.

Conduit Bodies and Covers

Conduit Bodies Technical Data



C FORM 8

| PIPE SIZE | FERROUS CATALOG # | NOMINAL WEIGHT | A | B | C | D | E |
|-----------|-------------------|----------------|-------|------|------|------|-------|
| 1/2" | PRHC18 | 2.0 | 5.69 | 1.48 | 1.46 | 1.00 | 3.31 |
| 3/4" | PRHC28 | 2.3 | 6.28 | 1.73 | 1.27 | 1.19 | 3.94 |
| 1" | PRHC38 | 2.8 | 7.31 | 1.98 | 1.83 | 1.38 | 4.56 |
| 1-1/4" | PRHC448 | 4.5 | 8.50 | 2.42 | 2.27 | 1.75 | 5.31 |
| 1-1/2" | PRHC58 | 6.5 | 10.38 | 2.82 | 2.83 | 2.13 | 6.50 |
| 2" | PRHC68 | 10.3 | 12.25 | 3.60 | 3.83 | 3.00 | 8.56 |
| 2-1/2" | PRC78 | 18.0 | 15.63 | 4.48 | 5.08 | 4.25 | 10.88 |
| 3" | PRC88 | 20.5 | 15.63 | 4.85 | 5.08 | 4.25 | 10.88 |

C FORM 7

| PIPE SIZE | FERROUS CATALOG # | NOMINAL WEIGHT | A | B | C | D | E | ALUMINUM CATALOG # |
|-----------|-------------------|----------------|-------|------|------|------|------|--------------------|
| 1/2" | PRC17 | 1.0 | 5.38 | 1.42 | 1.46 | 0.94 | 3.19 | PRC17SA |
| 3/4" | PRC27 | 1.4 | 6.00 | 1.67 | 1.64 | 1.13 | 3.81 | PRC27SA |
| 1" | PRC37 | 2.2 | 7.00 | 1.92 | 1.83 | 1.38 | 4.50 | PRC37SA |
| 1-1/4" | PRC47 | 2.7 | 7.44 | 2.35 | 2.27 | 1.75 | 5.00 | PRC47SA |
| 1-1/2" | PRC57 | 4.0 | 8.19 | 2.60 | 2.52 | 1.94 | 5.44 | PRC57SA |
| 2" | PRC67 | 5.5 | 9.19 | 3.17 | 3.08 | 2.44 | 6.38 | PRC67SA |
| 2-1/2" | PRC77 | 10.0 | 12.00 | 3.67 | 4.33 | 3.56 | 8.38 | PRC77SA |
| 3" | PRC87 | 11.8 | 11.75 | 4.42 | 4.33 | 3.56 | 8.38 | PRC87SA |

C MARK 9

| PIPE SIZE | NOMINAL WEIGHT | A | B | C | D | E | ALUMINUM CATALOG # |
|-----------|----------------|-------|------|------|------|-------|--------------------|
| 1/2" | 2.0 | 5.00 | 1.42 | 1.46 | 1.19 | 3.31 | PRC19 |
| 3/4" | 2.3 | 5.69 | 1.67 | 1.64 | 1.38 | 3.94 | PRC29 |
| 1" | 2.8 | 6.59 | 1.92 | 1.83 | 1.50 | 4.56 | PRC39 |
| 1-1/4" | 4.5 | 7.50 | 2.54 | 2.27 | 1.94 | 5.31 | PRC49 |
| 1-1/2" | 6.5 | 8.25 | 2.79 | 2.58 | 2.25 | 6.00 | PRC59 |
| 2" | 10.3 | 10.50 | 3.48 | 3.27 | 2.88 | 8.06 | PRC69 |
| 2-1/2" | 18.0 | 15.63 | 4.48 | 5.08 | 4.25 | 10.88 | PRC789 |
| 3" | 20.5 | 15.63 | 4.85 | 5.08 | 4.25 | 10.88 | PRC889 |
| 3-1/2" | 10.0 | 18.75 | 5.73 | 6.33 | 5.44 | 13.44 | PRC989 |
| 4" | 12.0 | 18.75 | 5.98 | 6.33 | 5.44 | 13.44 | PRC1089 |



LB FORM 8

| PIPE SIZE | FERROUS CATALOG # | NOMINAL WEIGHT | A | B | C | D | E |
|-----------|-------------------|----------------|-------|------|------|------|-------|
| 1/2" | PRHLB18 | 1.5 | 4.98 | 2.22 | 1.46 | 1.00 | 3.31 |
| 3/4" | PRHLB28 | 2.0 | 5.60 | 2.44 | 1.64 | 1.19 | 3.94 |
| 1" | PRHLB38 | 2.9 | 6.51 | 2.81 | 1.83 | 1.38 | 4.56 |
| 1-1/4" | PRHLB448 | 4.1 | 7.57 | 3.34 | 2.27 | 1.75 | 5.31 |
| 1-1/2" | PRHLB58 | 6.5 | 9.17 | 4.03 | 2.83 | 2.13 | 6.50 |
| 2" | PRHLB68 | 8.2 | 11.04 | 4.81 | 3.83 | 3.00 | 8.56 |
| 2-1/2" | PRLB78 | 18.2 | 13.98 | 6.13 | 5.08 | 4.25 | 10.88 |
| 3" | PRLB888 | 21.2 | 13.98 | 6.50 | 5.08 | 4.25 | 10.88 |
| 3-1/2" | PRLB98 | 31.2 | 16.92 | 7.56 | 6.33 | 5.44 | 13.44 |
| 4" | PRLB108 | 32.0 | 16.92 | 7.81 | 6.33 | 5.44 | 13.44 |

LB FORM 7

| PIPE SIZE | FERROUS CATALOG # | NOMINAL WEIGHT | A | B | C | D | E | ALUMINUM CATALOG # |
|-----------|-------------------|----------------|-------|------|------|------|-------|--------------------|
| 1/2" | PRLB17 | 1.1 | 4.60 | 2.25 | 1.46 | 0.94 | 3.19 | PRLB17SA |
| 3/4" | PRLB27 | 1.7 | 5.24 | 2.50 | 1.64 | 1.13 | 3.81 | PRLB27SA |
| 1" | PRLB37 | 2.2 | 6.04 | 2.88 | 1.83 | 1.38 | 4.50 | PRLB37SA |
| 1-1/4" | PRLB47 | 3.1 | 6.54 | 3.31 | 2.27 | 1.75 | 5.00 | PRLB47SA |
| 1-1/2" | PRLB57 | 3.8 | 7.17 | 3.69 | 2.52 | 1.94 | 5.44 | PRLB57SA |
| 2" | PRLB67 | 5.2 | 8.17 | 4.25 | 3.08 | 2.44 | 6.38 | PRLB67SA |
| 2-1/2" | PRLB777 | 10.0 | 10.54 | 5.13 | 4.33 | 3.56 | 8.38 | PRLB777SA |
| 3" | PRLB87 | 13.0 | 10.54 | 5.88 | 4.33 | 3.56 | 8.38 | PRLB87SA |
| 3-1/2" | PRLB97 | 19.0 | 12.73 | 6.56 | 5.33 | 4.50 | 10.25 | PRLB97SA |
| 4" | PRLB107 | 18.5 | 12.73 | 7.06 | 5.33 | 4.50 | 10.25 | PRLB107SA |

LB MARK 9

| PIPE SIZE | NOMINAL WEIGHT | A | B | C | D | E | ALUMINUM CATALOG # |
|-----------|----------------|-------|------|------|------|-------|--------------------|
| 1/2" | 1.5 | 4.63 | 2.13 | 1.46 | 1.19 | 3.31 | PRLB19 |
| 3/4" | 2.0 | 5.29 | 2.41 | 1.64 | 1.38 | 3.94 | PRLB29 |
| 1" | 2.9 | 6.13 | 2.84 | 1.83 | 1.50 | 4.56 | PRLB39 |
| 1-1/4" | 4.1 | 7.07 | 3.47 | 2.27 | 1.94 | 5.31 | PRLB49 |
| 1-1/2" | 6.5 | 7.79 | 3.75 | 2.58 | 2.25 | 6.00 | PRLB59 |
| 2" | 8.2 | 10.07 | 4.47 | 3.27 | 2.88 | 8.06 | PRLB69 |
| 2-1/2" | 18.2 | 13.98 | 6.13 | 5.08 | 4.25 | 10.88 | PRLB789 |
| 3" | 21.2 | 13.98 | 6.50 | 5.08 | 4.25 | 10.88 | PRLB889 |
| 3-1/2" | 31.2 | 16.92 | 7.56 | 6.33 | 5.44 | 13.44 | PRLB989 |
| 4" | 32.0 | 16.92 | 7.81 | 6.33 | 5.44 | 13.44 | PRLB1089 |



Contact us:
customerservice@plastibond.com



Visit www.plastibond.com
For more information



Conduit Bodies and Covers for General Service Locations

Description:

Plasti-Bond REDH₂OT conduit bodies with covers are offered in Form 8 and Form 7 styles, each with numerous configurations to provide a complete coated conduit system. May be used to make 90° bends, for pull outlets, to provide for taps or splices, to act as a mounting outlet for wiring devices or lighting fixtures, etc. Form 8 style fittings 1/2" – 4" have an integral V-Seal gasket for superior corrosion protection. Electrical continuity of the conduit system is maintained across assembled joints.

Features:

- 40 mil gray PVC exterior coating
- 2 mil red urethane interior coating
- 10 trade sizes from 1/2" through 4"
- Sealing sleeves on all conduit openings
- Form 7 style cover uses retained stainless screw and wedge clip design
- Form 8 style cover uses plastic encapsulated stainless steel screws with retainers built into covers for trade sizes 1/2" through 2"
- Integral V-Seal gasket on Form 8 style, sizes 1/2" through 4"

Standards:

Steel and Aluminum

- UL 514A, 514D (E231035)
 - CSA C22.2 No. 18, CSA C22.2 No. 42
- #### Form 8 & Mark 9 Fittings – 1/2" – 4"
- IEC IP69
 - UL Type 4X

Note: Form 7 fittings are not available with encapsulated screws.

All cover screws are stainless steel.

Conduit Bodies and Covers

Conduit Bodies Technical Data



C FORM 8

| PIPE SIZE | FERROUS CATALOG # | NOMINAL WEIGHT | A | B | C | D | E |
|-----------|-------------------|----------------|-------|------|------|------|-------|
| 1/2" | PRHC18 | 2.0 | 5.69 | 1.48 | 1.46 | 1.00 | 3.31 |
| 3/4" | PRHC28 | 2.3 | 6.28 | 1.73 | 1.27 | 1.19 | 3.94 |
| 1" | PRHC38 | 2.8 | 7.31 | 1.98 | 1.83 | 1.38 | 4.56 |
| 1-1/4" | PRHC448 | 4.5 | 8.50 | 2.42 | 2.27 | 1.75 | 5.31 |
| 1-1/2" | PRHC58 | 6.5 | 10.38 | 2.82 | 2.83 | 2.13 | 6.50 |
| 2" | PRHC68 | 10.3 | 12.25 | 3.60 | 3.83 | 3.00 | 8.56 |
| 2-1/2" | PRC78 | 18.0 | 15.63 | 4.48 | 5.08 | 4.25 | 10.88 |
| 3" | PRC88 | 20.5 | 15.63 | 4.85 | 5.08 | 4.25 | 10.88 |

C FORM 7

| PIPE SIZE | FERROUS CATALOG # | NOMINAL WEIGHT | A | B | C | D | E | ALUMINUM CATALOG # |
|-----------|-------------------|----------------|-------|------|------|------|------|--------------------|
| 1/2" | PRC17 | 1.0 | 5.38 | 1.42 | 1.46 | 0.94 | 3.19 | PRC17SA |
| 3/4" | PRC27 | 1.4 | 6.00 | 1.67 | 1.64 | 1.13 | 3.81 | PRC27SA |
| 1" | PRC37 | 2.2 | 7.00 | 1.92 | 1.83 | 1.38 | 4.50 | PRC37SA |
| 1-1/4" | PRC47 | 2.7 | 7.44 | 2.35 | 2.27 | 1.75 | 5.00 | PRC47SA |
| 1-1/2" | PRC57 | 4.0 | 8.19 | 2.60 | 2.52 | 1.94 | 5.44 | PRC57SA |
| 2" | PRC67 | 5.5 | 9.19 | 3.17 | 3.08 | 2.44 | 6.38 | PRC67SA |
| 2-1/2" | PRC77 | 10.0 | 12.00 | 3.67 | 4.33 | 3.56 | 8.38 | PRC77SA |
| 3" | PRC87 | 11.8 | 11.75 | 4.42 | 4.33 | 3.56 | 8.38 | PRC87SA |

C MARK 9

| PIPE SIZE | NOMINAL WEIGHT | A | B | C | D | E | ALUMINUM CATALOG # |
|-----------|----------------|-------|------|------|------|-------|--------------------|
| 1/2" | 2.0 | 5.00 | 1.42 | 1.46 | 1.19 | 3.31 | PRC19 |
| 3/4" | 2.3 | 5.69 | 1.67 | 1.64 | 1.38 | 3.94 | PRC29 |
| 1" | 2.8 | 6.59 | 1.92 | 1.83 | 1.50 | 4.56 | PRC39 |
| 1-1/4" | 4.5 | 7.50 | 2.54 | 2.27 | 1.94 | 5.31 | PRC49 |
| 1-1/2" | 6.5 | 8.25 | 2.79 | 2.58 | 2.25 | 6.00 | PRC59 |
| 2" | 10.3 | 10.50 | 3.48 | 3.27 | 2.88 | 8.06 | PRC69 |
| 2-1/2" | 18.0 | 15.63 | 4.48 | 5.08 | 4.25 | 10.88 | PRC789 |
| 3" | 20.5 | 15.63 | 4.85 | 5.08 | 4.25 | 10.88 | PRC889 |
| 3-1/2" | 10.0 | 18.75 | 5.73 | 6.33 | 5.44 | 13.44 | PRC989 |
| 4" | 12.0 | 18.75 | 5.98 | 6.33 | 5.44 | 13.44 | PRC1089 |



LB FORM 8

| PIPE SIZE | FERROUS CATALOG # | NOMINAL WEIGHT | A | B | C | D | E |
|-----------|-------------------|----------------|-------|------|------|------|-------|
| 1/2" | PRHLB18 | 1.5 | 4.98 | 2.22 | 1.46 | 1.00 | 3.31 |
| 3/4" | PRHLB28 | 2.0 | 5.60 | 2.44 | 1.64 | 1.19 | 3.94 |
| 1" | PRHLB38 | 2.9 | 6.51 | 2.81 | 1.83 | 1.38 | 4.56 |
| 1-1/4" | PRHLB448 | 4.1 | 7.57 | 3.34 | 2.27 | 1.75 | 5.31 |
| 1-1/2" | PRHLB58 | 6.5 | 9.17 | 4.03 | 2.83 | 2.13 | 6.50 |
| 2" | PRHLB68 | 8.2 | 11.04 | 4.81 | 3.83 | 3.00 | 8.56 |
| 2-1/2" | PRLB78 | 18.2 | 13.98 | 6.13 | 5.08 | 4.25 | 10.88 |
| 3" | PRLB888 | 21.2 | 13.98 | 6.50 | 5.08 | 4.25 | 10.88 |
| 3-1/2" | PRLB98 | 31.2 | 16.92 | 7.56 | 6.33 | 5.44 | 13.44 |
| 4" | PRLB108 | 32.0 | 16.92 | 7.81 | 6.33 | 5.44 | 13.44 |

LB FORM 7

| PIPE SIZE | FERROUS CATALOG # | NOMINAL WEIGHT | A | B | C | D | E | ALUMINUM CATALOG # |
|-----------|-------------------|----------------|-------|------|------|------|-------|--------------------|
| 1/2" | PRLB17 | 1.1 | 4.60 | 2.25 | 1.46 | 0.94 | 3.19 | PRLB17SA |
| 3/4" | PRLB27 | 1.7 | 5.24 | 2.50 | 1.64 | 1.13 | 3.81 | PRLB27SA |
| 1" | PRLB37 | 2.2 | 6.04 | 2.88 | 1.83 | 1.38 | 4.50 | PRLB37SA |
| 1-1/4" | PRLB47 | 3.1 | 6.54 | 3.31 | 2.27 | 1.75 | 5.00 | PRLB47SA |
| 1-1/2" | PRLB57 | 3.8 | 7.17 | 3.69 | 2.52 | 1.94 | 5.44 | PRLB57SA |
| 2" | PRLB67 | 5.2 | 8.17 | 4.25 | 3.08 | 2.44 | 6.38 | PRLB67SA |
| 2-1/2" | PRLB777 | 10.0 | 10.54 | 5.13 | 4.33 | 3.56 | 8.38 | PRLB777SA |
| 3" | PRLB87 | 13.0 | 10.54 | 5.88 | 4.33 | 3.56 | 8.38 | PRLB87SA |
| 3-1/2" | PRLB97 | 19.0 | 12.73 | 6.56 | 5.33 | 4.50 | 10.25 | PRLB97SA |
| 4" | PRLB107 | 18.5 | 12.73 | 7.06 | 5.33 | 4.50 | 10.25 | PRLB107SA |

LB MARK 9

| PIPE SIZE | NOMINAL WEIGHT | A | B | C | D | E | ALUMINUM CATALOG # |
|-----------|----------------|-------|------|------|------|-------|--------------------|
| 1/2" | 1.5 | 4.63 | 2.13 | 1.46 | 1.19 | 3.31 | PRLB19 |
| 3/4" | 2.0 | 5.29 | 2.41 | 1.64 | 1.38 | 3.94 | PRLB29 |
| 1" | 2.9 | 6.13 | 2.84 | 1.83 | 1.50 | 4.56 | PRLB39 |
| 1-1/4" | 4.1 | 7.07 | 3.47 | 2.27 | 1.94 | 5.31 | PRLB49 |
| 1-1/2" | 6.5 | 7.79 | 3.75 | 2.58 | 2.25 | 6.00 | PRLB59 |
| 2" | 8.2 | 10.07 | 4.47 | 3.27 | 2.88 | 8.06 | PRLB69 |
| 2-1/2" | 18.2 | 13.98 | 6.13 | 5.08 | 4.25 | 10.88 | PRLB789 |
| 3" | 21.2 | 13.98 | 6.50 | 5.08 | 4.25 | 10.88 | PRLB889 |
| 3-1/2" | 31.2 | 16.92 | 7.56 | 6.33 | 5.44 | 13.44 | PRLB989 |
| 4" | 32.0 | 16.92 | 7.81 | 6.33 | 5.44 | 13.44 | PRLB1089 |



Contact us:
customerservice@plastibond.com



Visit www.plastibond.com
For more information