



Device Boxes, Covers & Accessories

T&B Catalog Number:

LC-11

UPC Number:

04226973515

Status:

Active

Description:

1-gang Silver Lamp holder Cover with gasket and screws. Hub size-1/2 inch, one hole, device mount.

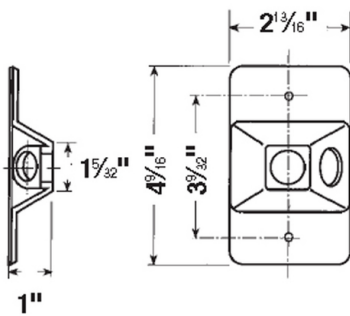
Features

Die Cast construction and industrial design combine to product a rugged protective enclosure for devices.

Clean cover edges provide good gasket sealing.

Precision cast and machined surfaces permit safer wire pulling.

Convenient mounting lugs for a variety of mounting methods and securely fastened mounting plates reduce costly call backs.



General

Material	Die Cast Aluminum
Finish	Aluminum lacquer
Color	Silver
Mounting	Device Mount
Number of Gangs	One

Dimension Information

Hub Size (inches)	1/2
-------------------	-----

Packaging

T&B Inner Pack	1
Package in Units	50
T&B Sold in UOM	Each
T&B Weight Per UOM	27.7 lbs. per 100

Application Support

Product Overview	Available on Website
Product Brochure-Universal Flip-Lid Cover	Available on Website
Product Brochure-Weatherproof While-in-Use Kits	Available on Website
D-Pak Merchandising System	Available on Website
Industry Cross Reference	Available on Website

Notes

Rain tight when used with appropriate Red Dot covers.

Certifications



File Nbr:
E 28688

For further technical assistance, please contact us...

Thomas & Betts - USA
8155 T&B Blvd.
Memphis, TN 38125
www.tnb.com

T&B Technical Support
MS 3B-50
8155 T&B Blvd.
Memphis, TN 38125

Hours: 7AM - 6PM CDT
Monday-Friday
Phone: (888) 862-3289
Fax: (901) 252-1321
Email: techsupport@tnb.com



Device Boxes, Covers & Accessories

T&B Catalog Number:

LC-11

UPC Number:

04226973515

Status:

Active

Description:

1-gang Silver Lamp holder Cover with gasket and screws. Hub size-1/2 inch, one hole, device mount.

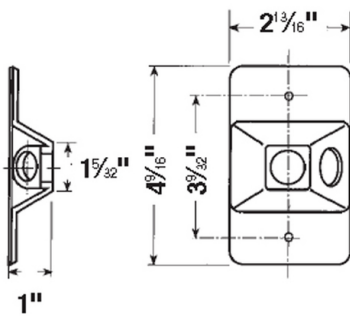
Features

Die Cast construction and industrial design combine to product a rugged protective enclosure for devices.

Clean cover edges provide good gasket sealing.

Precision cast and machined surfaces permit safer wire pulling.

Convenient mounting lugs for a variety of mounting methods and securely fastened mounting plates reduce costly call backs.



General

Material	Die Cast Aluminum
Finish	Aluminum lacquer
Color	Silver
Mounting	Device Mount
Number of Gangs	One

Dimension Information

Hub Size (inches)	1/2
-------------------	-----

Packaging

T&B Inner Pack	1
Package in Units	50
T&B Sold in UOM	Each
T&B Weight Per UOM	27.7 lbs. per 100

Application Support

Product Overview	Available on Website
Product Brochure-Universal Flip-Lid Cover	Available on Website
Product Brochure-Weatherproof While-in-Use Kits	Available on Website
D-Pak Merchandising System	Available on Website
Industry Cross Reference	Available on Website

Notes

Rain tight when used with appropriate Red Dot covers.

Certifications



File Nbr:
E 28688

For further technical assistance, please contact us...

Thomas & Betts - USA
8155 T&B Blvd.
Memphis, TN 38125
www.tnb.com

T&B Technical Support
MS 3B-50
8155 T&B Blvd.
Memphis, TN 38125

Hours: 7AM - 6PM CDT
Monday-Friday
Phone: (888) 862-3289
Fax: (901) 252-1321
Email: techsupport@tnb.com