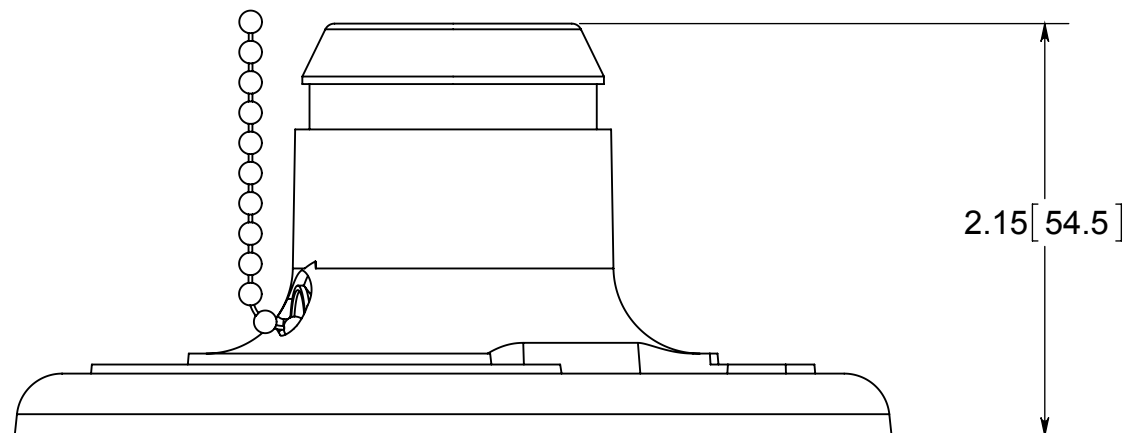
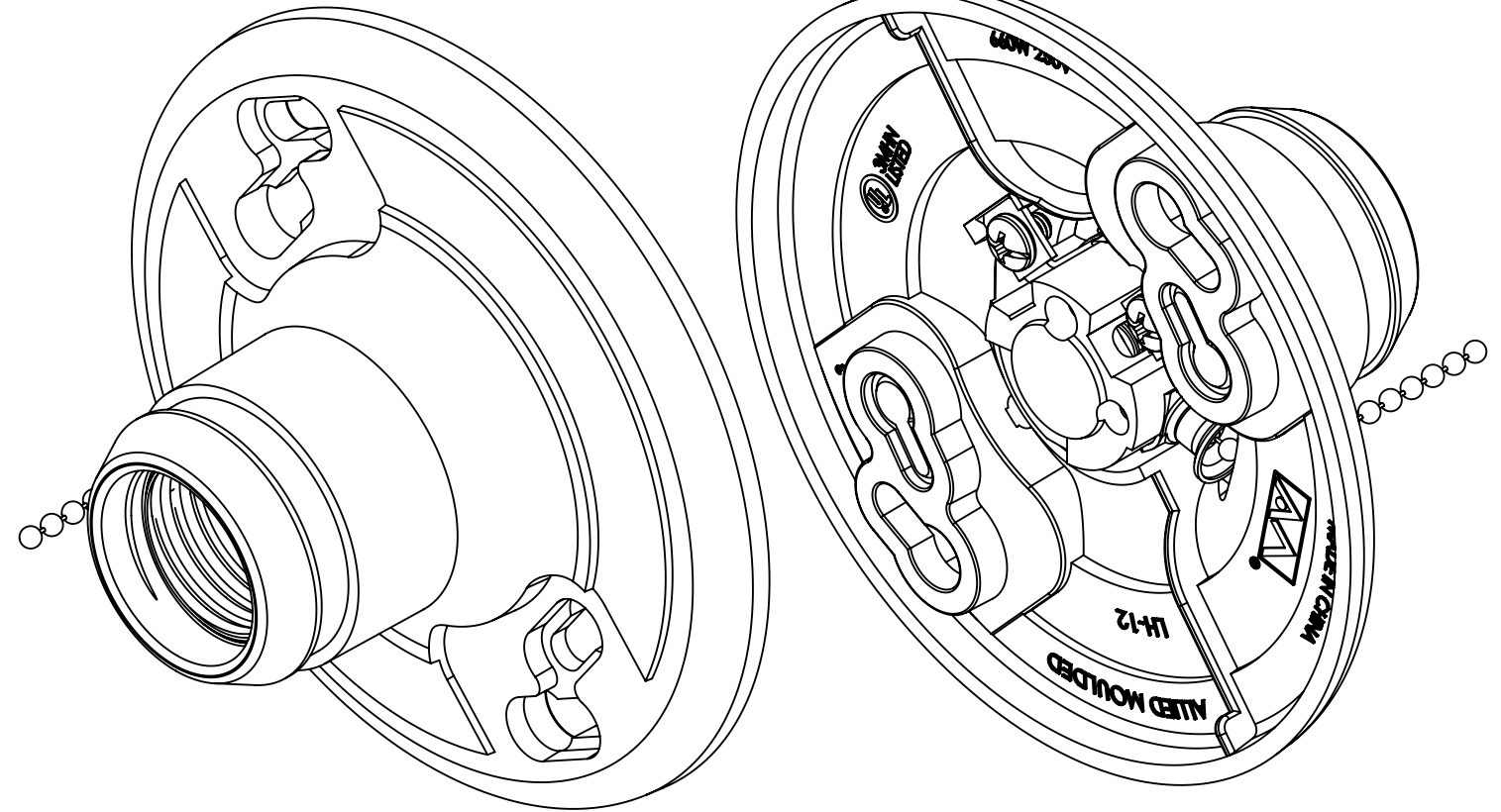
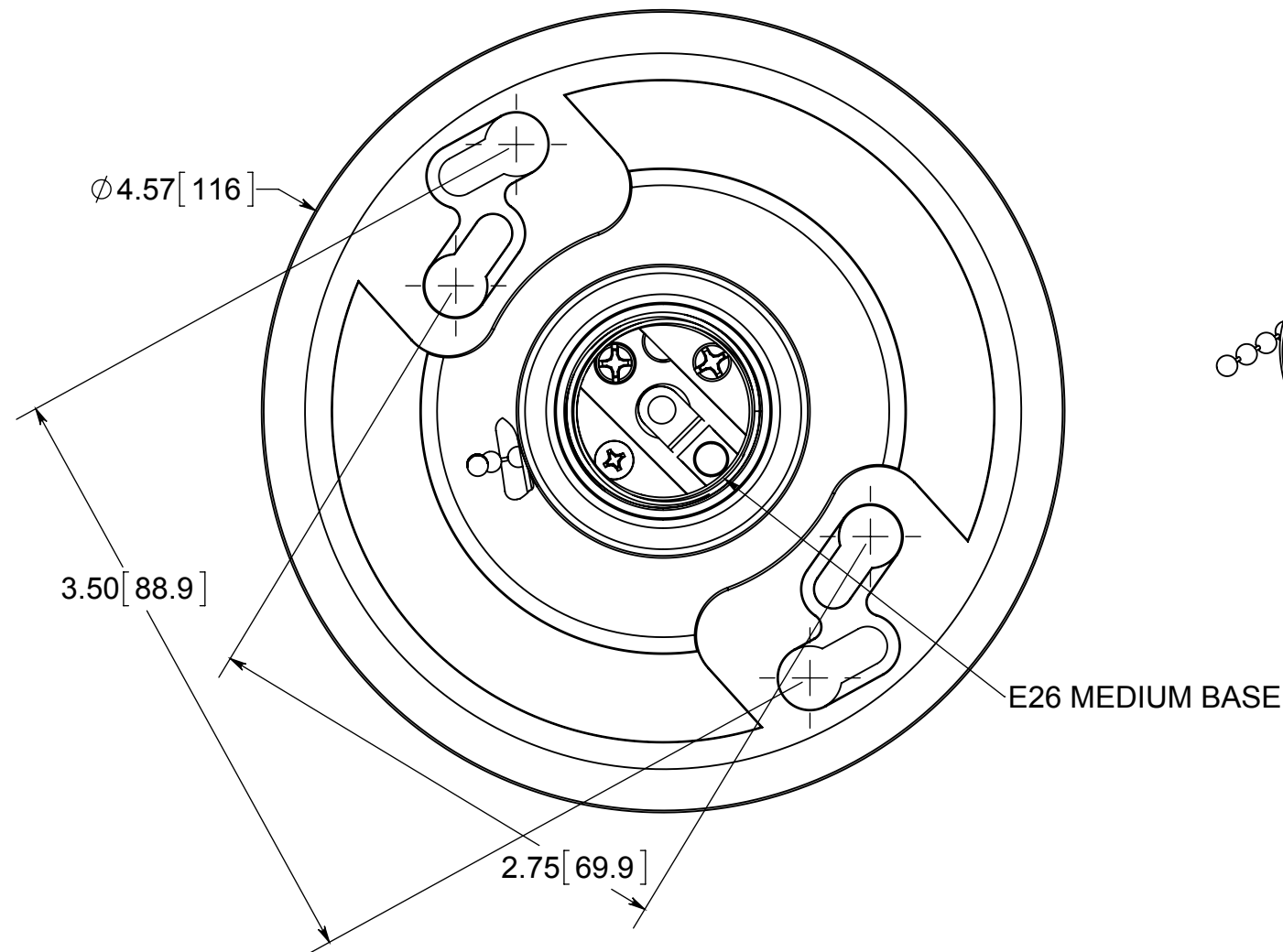


# LAMPHOLDER

ISSUE DATE: 06/19/2015



- 1.) BASE MATERIAL: UV AND HEAT RESISTANT THERMOSET, SCREW SHELL MATERIAL: NICKEL-PLATED BRASS, TERMINAL MATERIAL: ZINC-PLATED BRASS, TERMINAL SCREW MATERIAL: NICKEL-PLATED BRASS
- 2.) MOUNTING SLOTS ACCEPT 3-1/2" OR 4" OUTLET BOXES
- 3.) LAMP RATED 660 WATTS AT 250 VOLTS (MAX)
- 4.) ACCEPTS MOST MANUFACTURERS BULB PROTECTIVE CAGES
- 5.) FOR USE IN NON-CORROSIVE, RESIDENTIAL LIGHTING APPLICATIONS AS PERMITTED BY LOCAL CODE
- 6.) INCLUDES CORROSION RESISTANT STEEL HARDWARE AND 3' PULL CORD



**ALLIED MOULDED PRODUCTS**  
BRYAN, OHIO

The Original Fiber Glass Outlet Box

PRODUCT SERIES

PULL CHAIN MEDIUM BASE INCANDESCENT LAMPHOLDER

Part No.

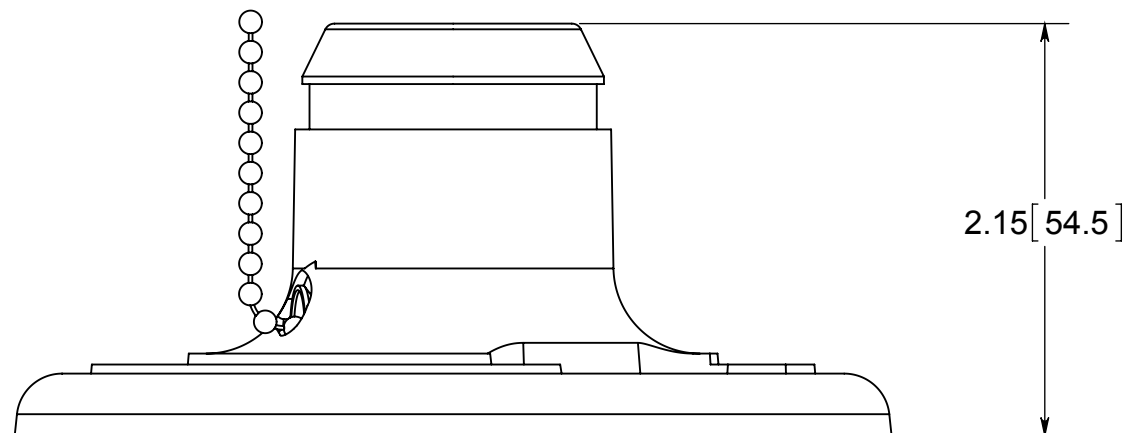
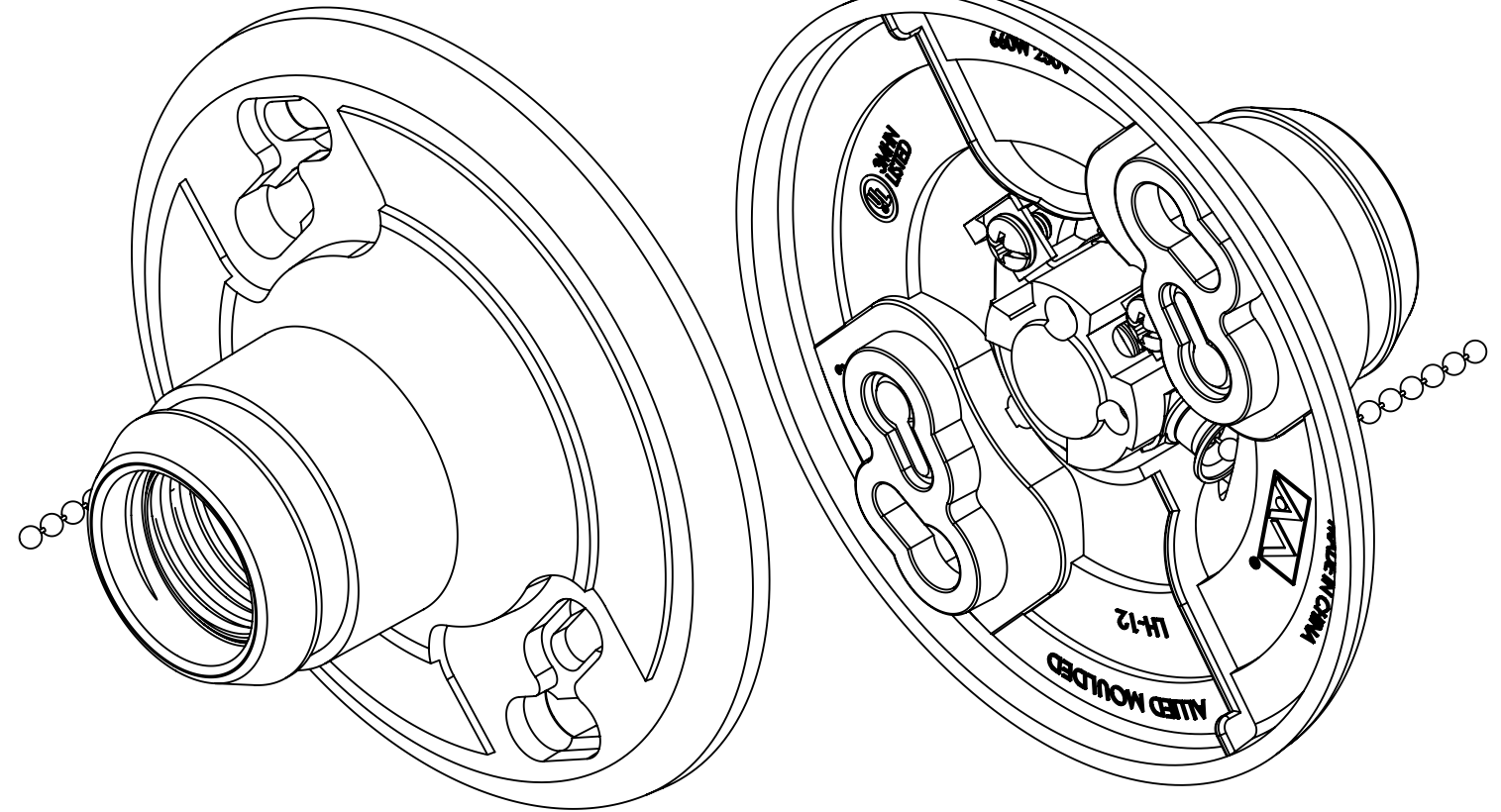
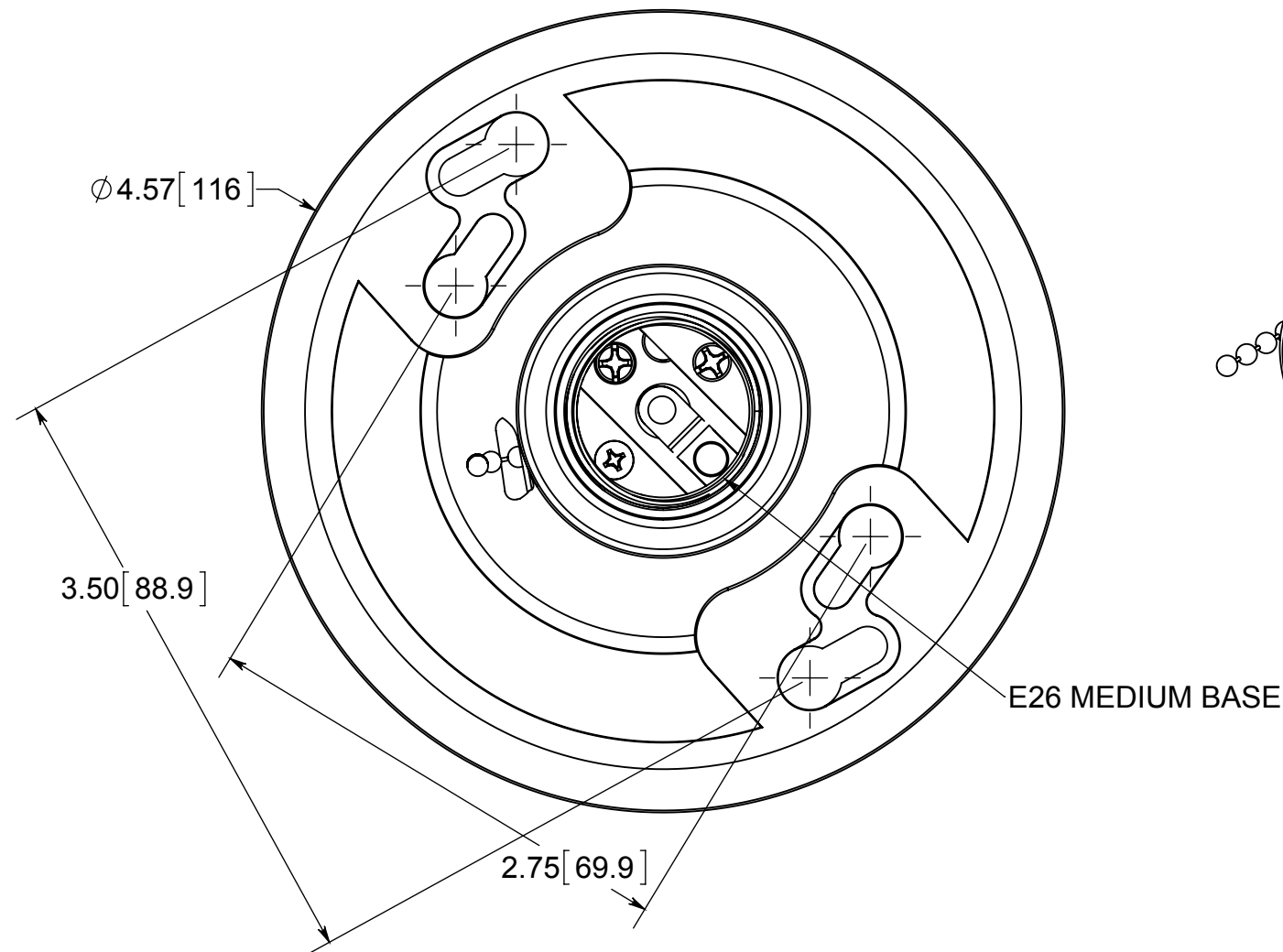
**LH-12P**

**CONFIDENTIAL**

THIS MATERIAL IS OWNED BY THE ALLIED MOULDED PRODUCTS COMPANY, IS DISCLOSED IN CONFIDENCE, AND IS NOT TO BE REPRODUCED OR DISTRIBUTED WITHOUT PRIOR WRITTEN PERMISSION FROM ALLIED MOULDED PRODUCTS.

# LAMPHOLDER

ISSUE DATE: 06/19/2015



- 1.) BASE MATERIAL: UV AND HEAT RESISTANT THERMOSET, SCREW SHELL MATERIAL: NICKEL-PLATED BRASS, TERMINAL MATERIAL: ZINC-PLATED BRASS, TERMINAL SCREW MATERIAL: NICKEL-PLATED BRASS
- 2.) MOUNTING SLOTS ACCEPT 3-1/2" OR 4" OUTLET BOXES
- 3.) LAMP RATED 660 WATTS AT 250 VOLTS (MAX)
- 4.) ACCEPTS MOST MANUFACTURERS BULB PROTECTIVE CAGES
- 5.) FOR USE IN NON-CORROSIVE, RESIDENTIAL LIGHTING APPLICATIONS AS PERMITTED BY LOCAL CODE
- 6.) INCLUDES CORROSION RESISTANT STEEL HARDWARE AND 3' PULL CORD



® **ALLIED MOULDED PRODUCTS**  
BRYAN, OHIO

The Original Fiber Glass Outlet Box

PRODUCT SERIES

PULL CHAIN MEDIUM BASE INCANDESCENT LAMPHOLDER

Part No.

**LH-12P**

**CONFIDENTIAL**

THIS MATERIAL IS OWNED BY THE ALLIED MOULDED PRODUCTS COMPANY, IS DISCLOSED IN CONFIDENCE, AND IS NOT TO BE REPRODUCED OR DISTRIBUTED WITHOUT PRIOR WRITTEN PERMISSION FROM ALLIED MOULDED PRODUCTS.