

LLW : LED Linear Wrap



project name	type
catalog number	
comments	voltage
approved by	date

32/
36/42
watts

4160-
5334
lumens

>127
lpw

50,000
hours

Features

- Cost-effective and energy efficient 4ft LED utility wrap fixture
- Ideal replacement for less efficient fluorescent wrap fixtures
- Durable steel body construction with white polyester powder coat finish
- Features full length wrap-around U-shaped prismatic acrylic lens
- Universal 0-10V driver for continuous dimming standard
- Available in 4,160, 4,420, 4,608, 5,200, and 5,334 lumen output
- 5-year limited warranty

Performance

- 4160lm @ 32W : 130lpw
- 4420lm @ 34W : 130lpw
- 4608lm @ 36W : 128lpw
- 5200lm @ 40W : 130lpw
- 5334lm @ 42W : 127lpw
- 50,000 hour designed minimum lifetime
- Ambient operating temperature: -20°C (-4°F) to 50°C (122°F)
- 4000K standard
- CRI: >80
- 120-277V Universal Voltage
- Power Factor: >.9
- THD: <20%

Applications

- Storage areas
- Utility rooms
- Schools
- Stairwell
- Workshops
- Corridors

Ordering Information

Order Code	Item #	Lm	W	CCT	CRI	Life/Hrs	V	Dimming	DLC Premium
09425	LLW-3C-40K-U	4,160	32W	4000K	80+	50,000	120-277V	0-10V	✓
09426	LLW-4C-40K-U	4,608	36W	4000K	80+	50,000	120-277V	0-10V	✓
09704	LLW-4CP-40K-U	4,420	34W	4000K	80+	50,000	120-277V	0-10V	✓
09427	LLW-5C-40K-U	5,334	42W	4000K	80+	50,000	120-277V	0-10V	✓
09705	LLW-5CP-40K-U	5,200	40W	4000K	80+	50,000	120-277V	0-10V	✓

✓DesignLights Consortium® Premium Qualified

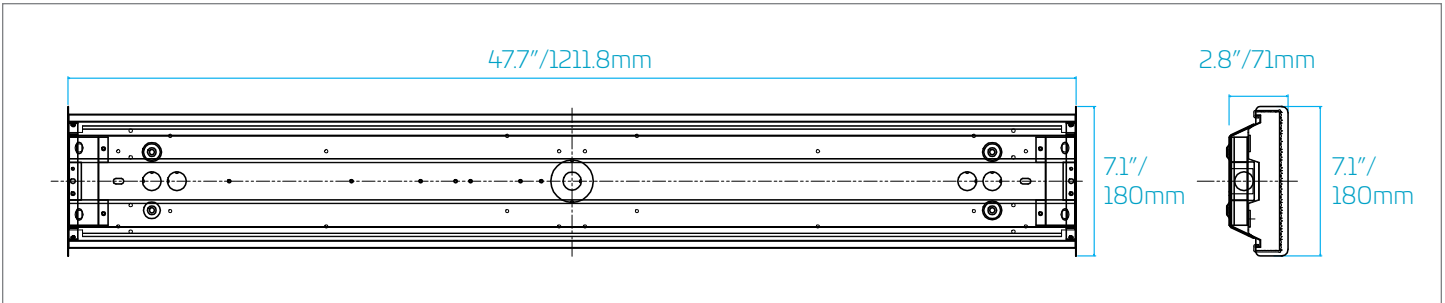
Accessories (Sold Separately)

Order Code	Litespan Part #	Description
09849	FHSCP-UNV-5WL	5W Emergency Battery Backup
09851	FHSCP-UNV-7.8WL	7.8W Emergency Battery Backup
09850	FHSCP-UNV-10.7WL	10.7W Emergency Battery Backup
09852	FHSCP-UNV-13.7WL	13.7W Emergency Battery Backup
09854	FHSCP-UNV-17WL	17W Emergency Battery Backup
09844	LLW-LENS	Replacement Lens for LLW Fixtures



LLW : LED Linear Wrap

Dimensions



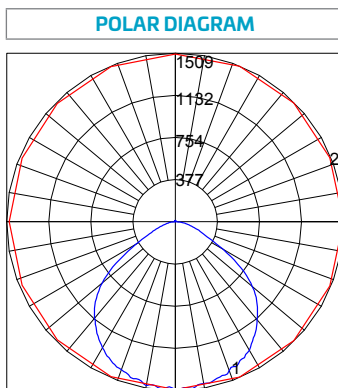
Item	Lumens	Length	Width	Depth	Weight	Replaces
LLW-3C-40K-U	4,160	47.7"	7.1"	2.79"	G.W. 4KG N.W. 3.6KG	2 lamp F32T8
LLW-4C-40K-U	4,608					2 lamp F32T8
LLW-4CP-40K-U	4,420					2 lamp F32T8
LLW-5C-40K-U	5,334					2 lamp F32T8
LLW-5CP-40K-U	5,200					2 lamp F32T8

Photometrics

LLW-3C-40K-U

ZONAL LUMEN SUMMARY		
Zone	Lumens	%Fixture
0-30	1197	30
0-40	1976	49.9
0-60	3224	81.4
0-90	3783	95.5
90-180	220	5.5
0-180	4003	100

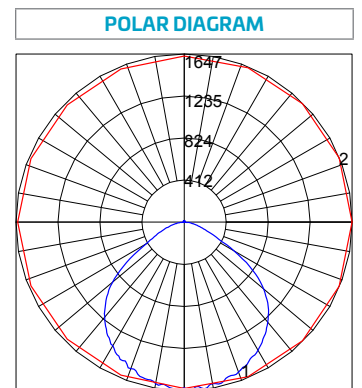
SPACING CRITERIA		
0-180	1.3	
90-270	1.3	
Diagonal	1.4	



LLW-4C-40K-U

ZONAL LUMEN SUMMARY		
Zone	Lumens	%Fixture
0-30	1305	30.1
0-40	2160	49.8
0-60	3524	81.2
0-90	4308	95.1
90-180	220	4.9
0-180	4528	100

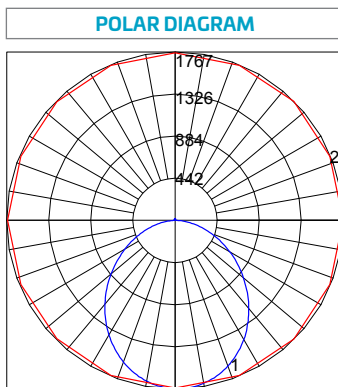
SPACING CRITERIA		
0-180	1.3	
90-270	1.3	
Diagonal	1.4	



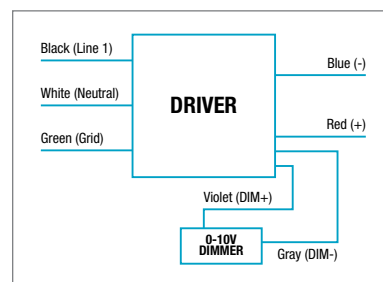
LLW-5C-40K-U

ZONAL LUMEN SUMMARY		
Zone	Lumens	%Fixture
0-30	1335	26.5
0-40	2148	42.6
0-60	3672	72.9
0-90	4755	93.3
90-180	343	7.2
0-180	5098	100

SPACING CRITERIA		
0-180	1.2	
90-270	1.2	
Diagonal	1.3	



wiring diagram



watch > like > follow



LLW : LED Linear Wrap



project name	type
catalog number	
comments	voltage
approved by	date

32/
36/42
watts

4160-
5334
lumens

>127
lpw

50,000
hours

Features

- Cost-effective and energy efficient 4ft LED utility wrap fixture
- Ideal replacement for less efficient fluorescent wrap fixtures
- Durable steel body construction with white polyester powder coat finish
- Features full length wrap-around U-shaped prismatic acrylic lens
- Universal 0-10V driver for continuous dimming standard
- Available in 4,160, 4,420, 4,608, 5,200, and 5,334 lumen output
- 5-year limited warranty

Performance

- 4160lm @ 32W : 130lpw
- 4420lm @ 34W : 130lpw
- 4608lm @ 36W : 128lpw
- 5200lm @ 40W : 130lpw
- 5334lm @ 42W : 127lpw
- 50,000 hour designed minimum lifetime
- Ambient operating temperature: -20°C (-4°F) to 50°C (122°F)
- 4000K standard
- CRI: >80
- 120-277V Universal Voltage
- Power Factor: >.9
- THD: <20%

Applications

- Storage areas
- Utility rooms
- Schools
- Stairwell
- Workshops
- Corridors

Ordering Information

Order Code	Item #	Lm	W	CCT	CRI	Life/Hrs	V	Dimming	DLC Premium
09425	LLW-3C-40K-U	4,160	32W	4000K	80+	50,000	120-277V	0-10V	✓
09426	LLW-4C-40K-U	4,608	36W	4000K	80+	50,000	120-277V	0-10V	✓
09704	LLW-4CP-40K-U	4,420	34W	4000K	80+	50,000	120-277V	0-10V	✓
09427	LLW-5C-40K-U	5,334	42W	4000K	80+	50,000	120-277V	0-10V	✓
09705	LLW-5CP-40K-U	5,200	40W	4000K	80+	50,000	120-277V	0-10V	✓

✓DesignLights Consortium® Premium Qualified

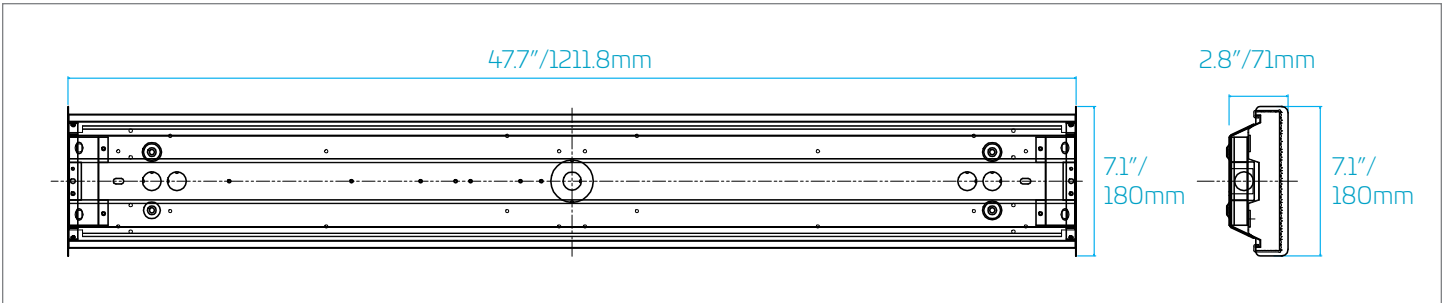
Accessories (Sold Separately)

Order Code	Litespan Part #	Description
09849	FHSCP-UNV-5WL	5W Emergency Battery Backup
09851	FHSCP-UNV-7.8WL	7.8W Emergency Battery Backup
09850	FHSCP-UNV-10.7WL	10.7W Emergency Battery Backup
09852	FHSCP-UNV-13.7WL	13.7W Emergency Battery Backup
09854	FHSCP-UNV-17WL	17W Emergency Battery Backup
09844	LLW-LENS	Replacement Lens for LLW Fixtures



LLW : LED Linear Wrap

Dimensions



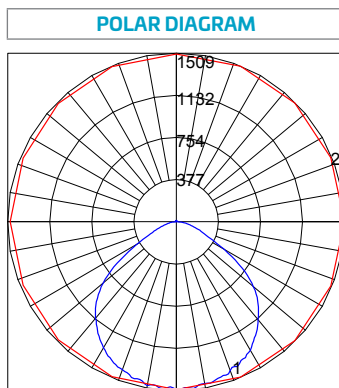
Item	Lumens	Length	Width	Depth	Weight	Replaces
LLW-3C-40K-U	4,160	47.7"	7.1"	2.79"	G.W. 4KG N.W. 3.6KG	2 lamp F32T8
LLW-4C-40K-U	4,608					2 lamp F32T8
LLW-4CP-40K-U	4,420					2 lamp F32T8
LLW-5C-40K-U	5,334					2 lamp F32T8
LLW-5CP-40K-U	5,200					2 lamp F32T8

Photometrics

LLW-3C-40K-U

ZONAL LUMEN SUMMARY		
Zone	Lumens	%Fixture
0-30	1197	30
0-40	1976	49.9
0-60	3224	81.4
0-90	3783	95.5
90-180	220	5.5
0-180	4003	100

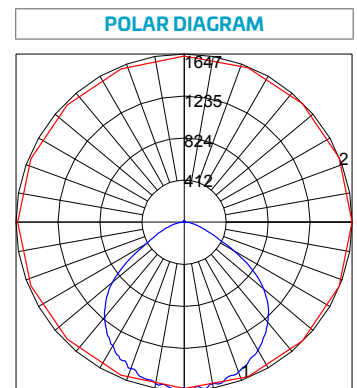
SPACING CRITERIA		
Zone	Spacing	
0-180	1.3	
90-270	1.3	
Diagonal	1.4	



LLW-4C-40K-U

ZONAL LUMEN SUMMARY		
Zone	Lumens	%Fixture
0-30	1305	30.1
0-40	2160	49.8
0-60	3524	81.2
0-90	4308	95.1
90-180	220	4.9
0-180	4528	100

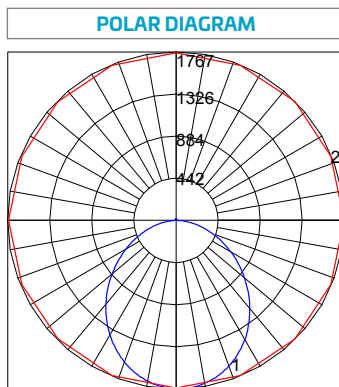
SPACING CRITERIA		
Zone	Spacing	
0-180	1.3	
90-270	1.3	
Diagonal	1.4	



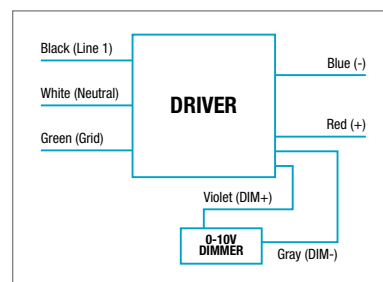
LLW-5C-40K-U

ZONAL LUMEN SUMMARY		
Zone	Lumens	%Fixture
0-30	1335	26.5
0-40	2148	42.6
0-60	3672	72.9
0-90	4755	93.3
90-180	343	7.2
0-180	5098	100

SPACING CRITERIA		
Zone	Spacing	
0-180	1.2	
90-270	1.2	
Diagonal	1.3	



wiring diagram



watch > like > follow

