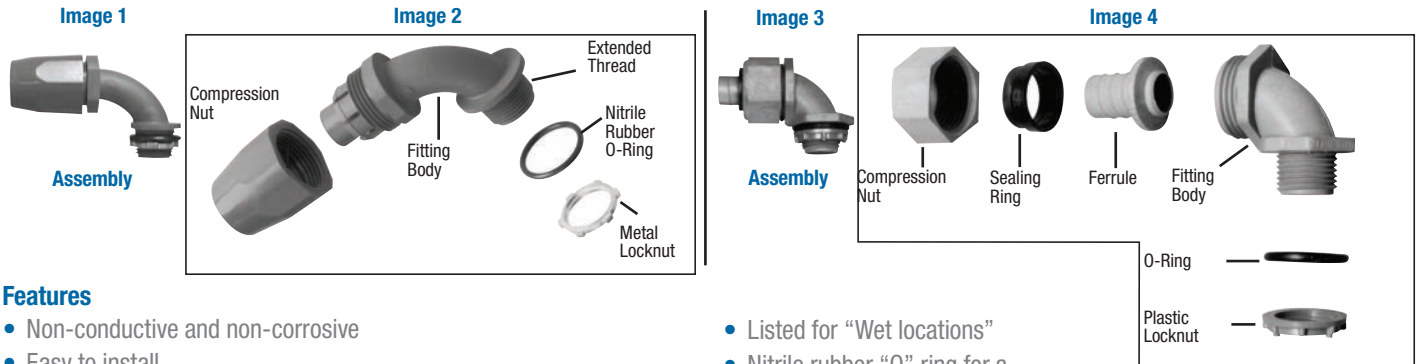


Carflex® Liquidtight Fittings

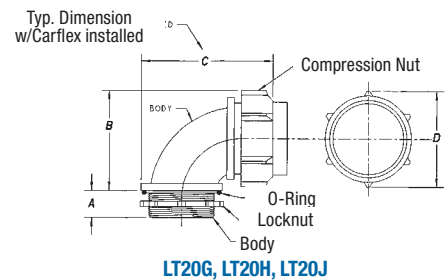
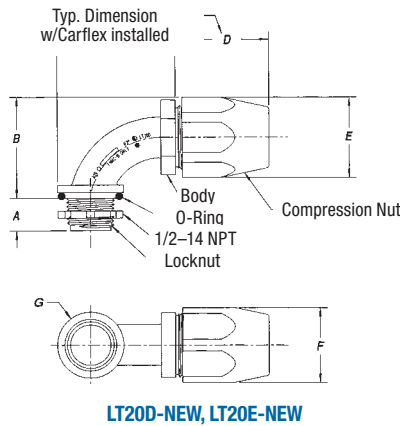
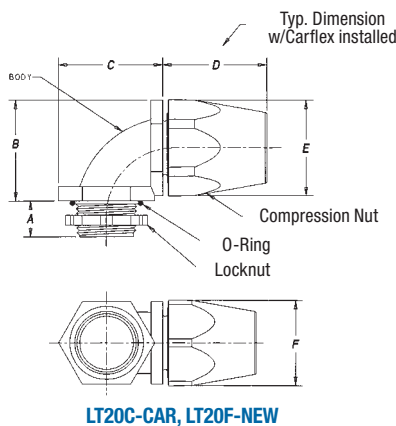
90° Fittings

- For Use with Carflex® conduit and Carflex® X-Flex™ conduit



Features

- Non-conductive and non-corrosive
- Easy to install
- Resistant to oil, acid, ozone and alkaline
- Approved for indoor and outdoor locations
- Listed for “Wet locations”
- Nitrile rubber “O” ring for a liquidtight termination
- Temperatures up to 107°C



Specifications

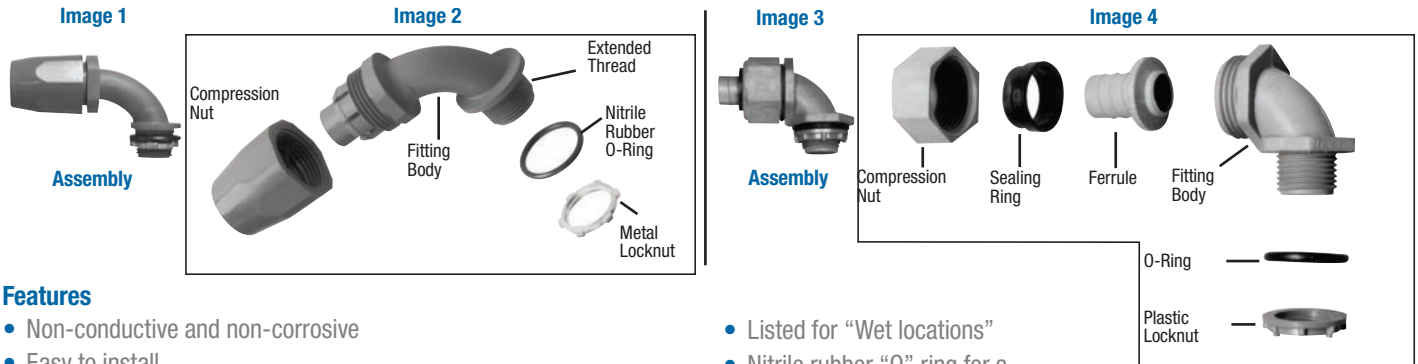


| Cat. No. | Size (in.) | Std. Ctn. Qty. | Std. Ctn. Wt. (lb.) | Dimensions (in.) | | | | | | | Refer to Image |
|-----------|------------|----------------|---------------------|------------------|------|------|------|------|------|------|----------------|
| | | | | A | B | C | D | E | F | G | |
| LT20C | 3/8 | 50 | 3.6 | 0.56 | 1.44 | 1.44 | 1.56 | 1.39 | 1.26 | - | 1-2 |
| LT20D-NEW | 1/2 | 50 | 4.2 | 0.56 | 1.76 | 2.05 | 1.62 | 1.40 | 1.30 | 1.15 | 1-2 |
| LT20E-NEW | 3/4 | 50 | 6.6 | 0.56 | 2.04 | 2.35 | 1.88 | 1.71 | 1.61 | 1.50 | 1-2 |
| LT20F-NEW | 1 | 25 | 5.5 | 0.70 | 2.01 | 2.01 | 2.26 | 2.04 | 1.90 | - | 1-2 |
| LT20G | 1-1/4 | 5 | 1.5 | 0.75 | 2.50 | 3.55 | 2.48 | - | - | - | 3-4 |
| LT20H | 1-1/2 | 5 | 2.0 | 0.75 | 2.80 | 3.98 | 2.77 | - | - | - | 3-4 |
| LT20J | 2 | 5 | 2.5 | 0.94 | 3.48 | 4.56 | 3.33 | - | - | - | 3-4 |

Carflex® Liquidtight Fittings

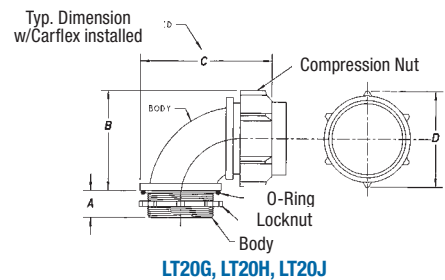
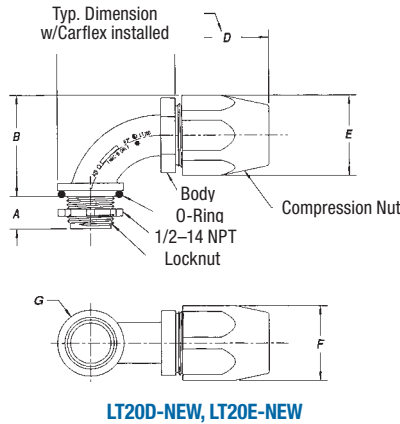
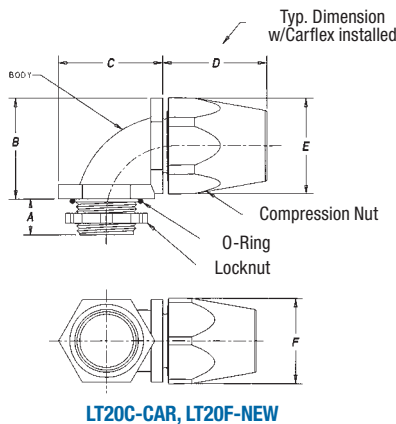
90° Fittings

- For Use with Carflex® conduit and Carflex® X-Flex™ conduit



Features

- Non-conductive and non-corrosive
- Easy to install
- Resistant to oil, acid, ozone and alkaline
- Approved for indoor and outdoor locations
- Listed for “Wet locations”
- Nitrile rubber “O” ring for a liquidtight termination
- Temperatures up to 107°C



Specifications



| Cat. No. | Size (in.) | Std. Ctn. Qty. | Std. Ctn. Wt. (lb.) | Dimensions (in.) | | | | | | | Refer to Image |
|-----------|------------|----------------|---------------------|------------------|------|------|------|------|------|------|----------------|
| | | | | A | B | C | D | E | F | G | |
| LT20C | 3/8 | 50 | 3.6 | 0.56 | 1.44 | 1.44 | 1.56 | 1.39 | 1.26 | - | 1-2 |
| LT20D-NEW | 1/2 | 50 | 4.2 | 0.56 | 1.76 | 2.05 | 1.62 | 1.40 | 1.30 | 1.15 | 1-2 |
| LT20E-NEW | 3/4 | 50 | 6.6 | 0.56 | 2.04 | 2.35 | 1.88 | 1.71 | 1.61 | 1.50 | 1-2 |
| LT20F-NEW | 1 | 25 | 5.5 | 0.70 | 2.01 | 2.01 | 2.26 | 2.04 | 1.90 | - | 1-2 |
| LT20G | 1-1/4 | 5 | 1.5 | 0.75 | 2.50 | 3.55 | 2.48 | - | - | - | 3-4 |
| LT20H | 1-1/2 | 5 | 2.0 | 0.75 | 2.80 | 3.98 | 2.77 | - | - | - | 3-4 |
| LT20J | 2 | 5 | 2.5 | 0.94 | 3.48 | 4.56 | 3.33 | - | - | - | 3-4 |