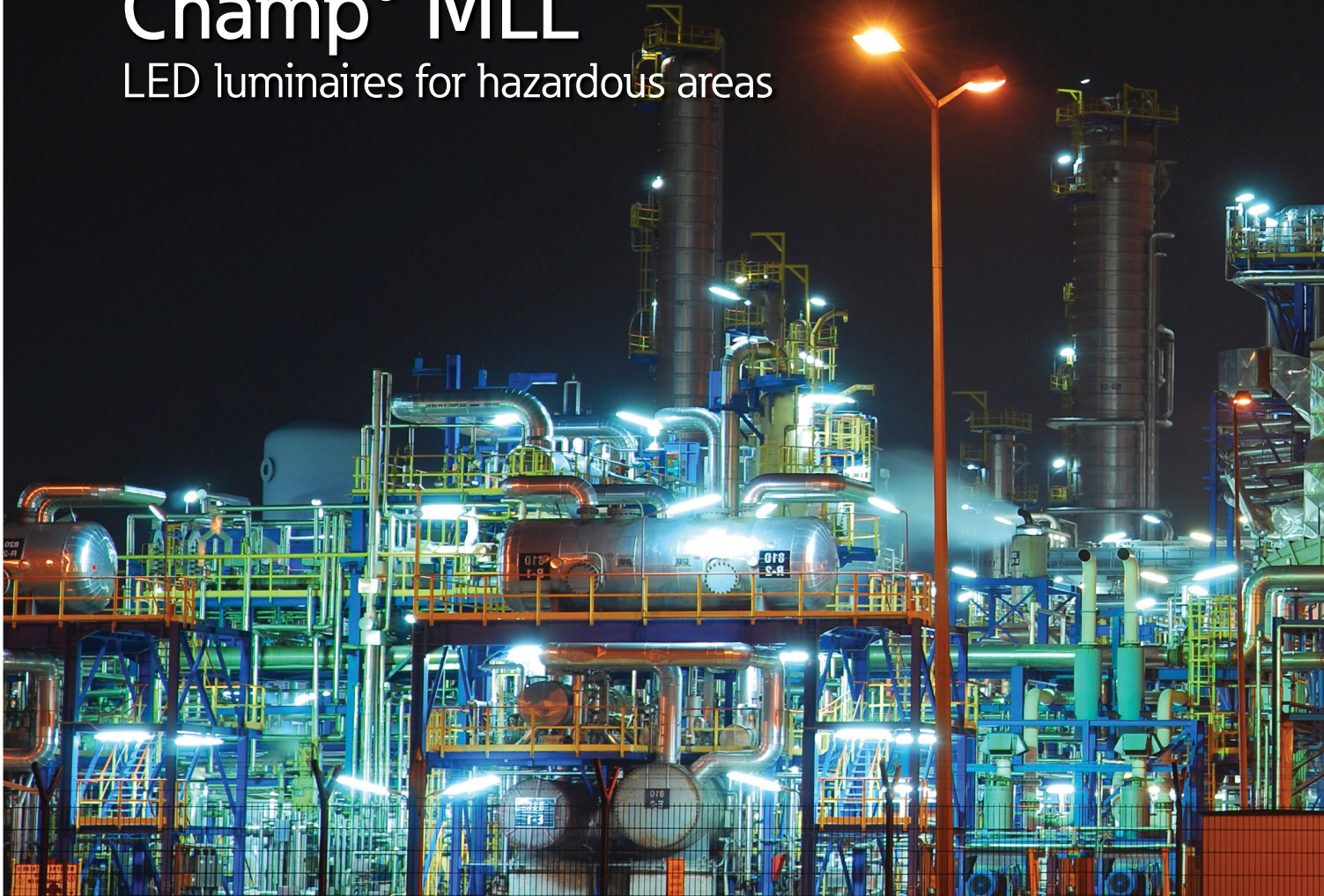


LED lighting for hazardous areas  
Champ® MLL LED Luminaires

CROUSE-HINDS  
SERIES

# Champ® MLL

LED luminaires for hazardous areas



**EATON**

*Powering Business Worldwide*



Champ® MLL Series LEDs

# Safe. Reliable. Efficient.

Featuring the industry's broadest range of LED luminaires for harsh and hazardous environments, Eaton's Crouse-Hinds can deliver a lighting solution that performs reliably in even the worst operating conditions. All the while reducing your energy, maintenance and manpower costs.



## Why LED?

### Useful life

Rated life is up to 60,000 hours of maintenance-free and safe operation

### Energy efficiency

LED average energy consumption is 65% less than T12, T8 and T5HO fluorescent fixtures

### Start/restart time

Instant illumination vs. 10 minute restrike time for fluorescent

### Light quality

Higher color rendering and color temperature compared to fluorescent

### Environmental benefits

Mercury-free LED eliminates disposal costs and lower energy consumption for a smaller carbon footprint

## Why Crouse-Hinds?

### Industry-best reliability

Built to withstand extreme temperatures, vibration, water and dust

### Thermal management

Effective heat sinking ensures longer life

### Quality of light

Custom optics designed to maximize light distribution and intensity

### Retrofit compatibility

LED fixtures are compatible with Pauluhn™ DuraPro, MagnaPro, Rig-A-Lite™ and Snelson® fluorescent fixtures

# Why Champ® MLL LED?

**Designed for harsh and hazardous.** Champ MLL linear LED luminaires are engineered to handle demanding conditions. The MLL stands up to high vibration, hose down, shock and impact, while delivering long life and high lumen performance for up to 20 years.

## Custom optics:

- Standard wide (120°) beam spread for control room and indoor application maximizes illumination on wall panels
- Narrow (80°) beam spread option for targeted illumination; avoids spillage and light loss

## Comprehensive certification:

- Single model certified for use in Class I, Division 2 and Class II, Division 1 harsh and hazardous applications

## Quick & easy installation:

- Easy access to drivers and wiring
- No custom brackets or hardware needed
- Seven mounting options available

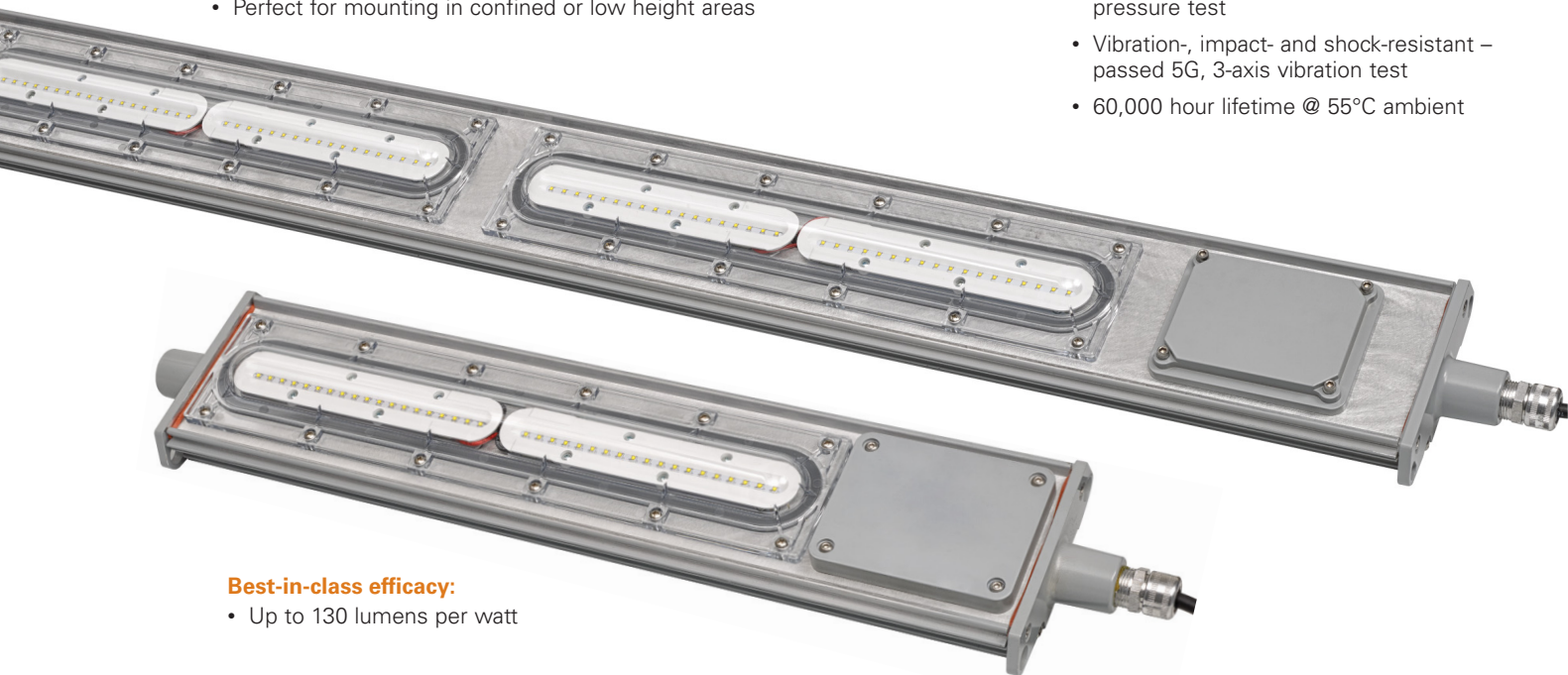


## Slim profile:

- 2.7" fixture height (excluding mounting brackets)
- Perfect for mounting in confined or low height areas

## Built to last:

- Ingress protection from hose down water or diesel fuel in harsh operational conditions – passed 2,000 psi high pressure test
- Vibration-, impact- and shock-resistant – passed 5G, 3-axis vibration test
- 60,000 hour lifetime @ 55°C ambient



## Best-in-class efficacy:

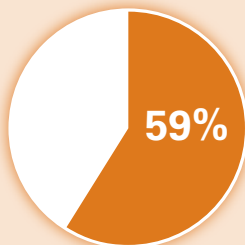
- Up to 130 lumens per watt

## LED vs. fluorescent savings at a glance

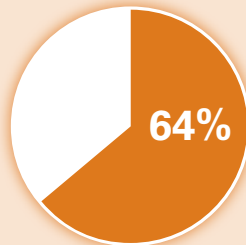
Why are so many facilities making the switch from fluorescent to LED?

The numbers say it all.

## MLL4 vs. 2-lamp T5HO



59% REDUCTION IN ENERGY COSTS



64% LOWER TOTAL COST OF OWNERSHIP



100% MAINTENANCE REDUCTION

Assumptions: Calculations based on overall life of the LED system. Energy cost of \$.09 per kilowatt; 24 hour per day operation; labor rate of \$75 each for 2 workers; average time for fixture maintenance of 2 hours.

# Champ® MLL Series LED Luminaires

The Champ MLL Linear LED by Eaton's Crouse-Hinds is specifically designed to replace fluorescent T12, T8 and T5HO lighting in harsh and hazardous applications. The rugged and durable design features the industry's most versatile and flexible mounting options. The Champ MLL is the ideal solution for high vibration, impact and hose down applications.

## Applications:

Oil and gas refineries, petrochemical facilities, food and beverage facilities, platforms, loading docks, tunnels, outdoor wall and stanchion mounted general area lighting, and where flammable vapors, gases, ignitable dusts, fibers or flyings are present.

## Key features & benefits:

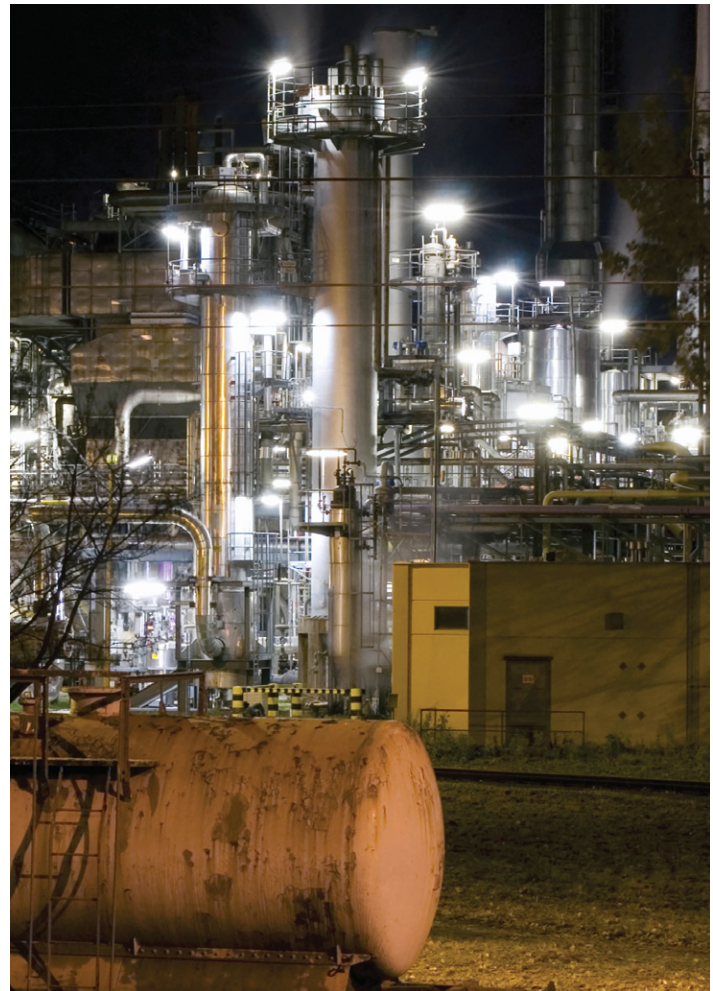
- Industry-leading efficacy: up to 130 LPW
- -40°C to +65°C ambient operating temperature (standard model)
- Low profile (<3" height)
- Versatile ceiling/swivel, wall, flush, pole and pendant mounting options
- Wide and narrow optics for uniform illumination
- Four points of secondary retention
- 2,000 psi high pressure hose rated
- High vibration resistance
- Emergency battery back-up (90 minutes) and surge protection options (up to 10kV)‡
- DesignLights Consortium® Qualified (some models are not DLC qualified)\*
- 5 year fixture warranty†



‡ One year warranty

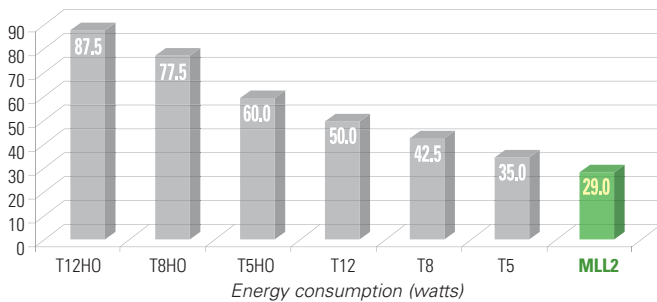
\* Refer to [www.designlights.org](http://www.designlights.org) Qualified Products List under Family Models for full listing details. Not all models are approved for all application categories.

† Refer to page 2 of the D-0716 authorized distributor price book for Crouse-Hinds standard Terms and Conditions.



## Energy consumption comparison

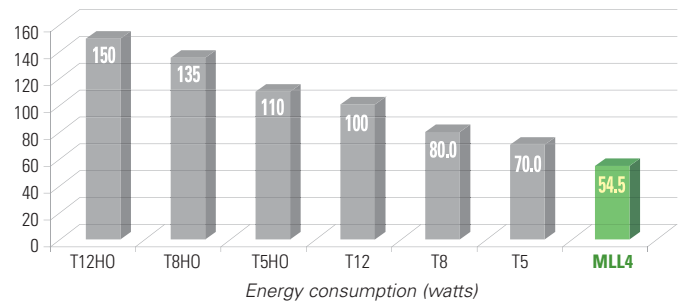
2 foot MLL linear LED vs. fluorescent



Model	Typical lumens	Wattage	Lumens per watt	Equivalent HID luminaire	Typical energy savings / lifetime
MLL2	3,600	29	124	T12HO	Up to 67%
				T8HO	Up to 63%
				T5HO	Up to 52%
				T12	Up to 42%
				T8	Up to 32%
				T5	Up to 17%

All luminaires in the comparison are 2 lamp, 2 foot

4 foot MLL linear LED vs. fluorescent



Model	Typical lumens	Wattage	Lumens per watt	Equivalent HID luminaire	Typical energy savings / lifetime
MLL4	7,100	54.5	130	T12HO	Up to 64%
				T8HO	Up to 60%
				T5HO	Up to 50%
				T12	Up to 46%
				T8	Up to 32%
				T5	Up to 22%

All luminaires in the comparison are 2 lamp, 4 foot

# Specifications

## Certifications:

### NEC standards:

- Class I, Division 2, Groups A, B, C, D
- Class II, Division 1, Groups F, G
- Class I, Zone 2
- Class III
- NEMA 4X; IP66
- Marine and Wet Locations

### UL standards:

- UL844 Electrical Fixture Hangers for Hazardous Locations
- UL1598 Luminaire
- UL1598A Luminaire for Installation on Marine Vessels
- UL924 for Emergency Lighting

### CSA standard:

- C22.2 No. 137

### Additional certifications:

- ABS design assessed

## Materials:

### Housing:

- Copper-free aluminum
- Optional Corro-free™ epoxy powder coat

### Lens:

- Glass or polycarbonate
- Diffused glass or polycarbonate

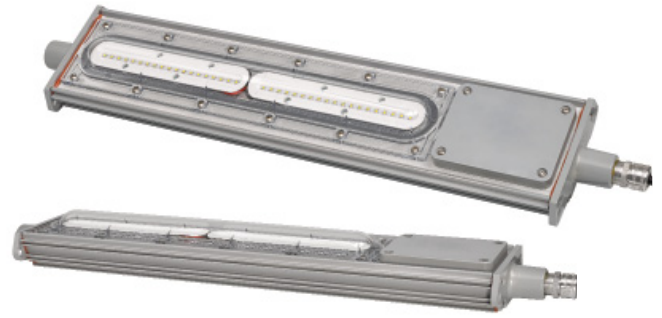
## Mounting:

### Versatile mounting options:

- Flush back mount
- Swivel/ceiling back mount
- Offset ceiling mount
- Offset wall mount
- Pole mount
- Pendant mount

### Easily retrofit to:

- Existing Pauluhn™ DuraPro and MagnaPro fluorescent light fixtures
- Rig-A-Lite™ and Snelson® C1D2 fluorescent lighting fixtures



## Electrical ratings:

	MLL2	MLL4
<b>Lumen output</b>	3,600	7,100
<b>Frequency</b>	50/60 Hz	50/60 Hz
<b>Voltage</b>	100-277 VAC/108-250 VDC; 347-480 VAC	

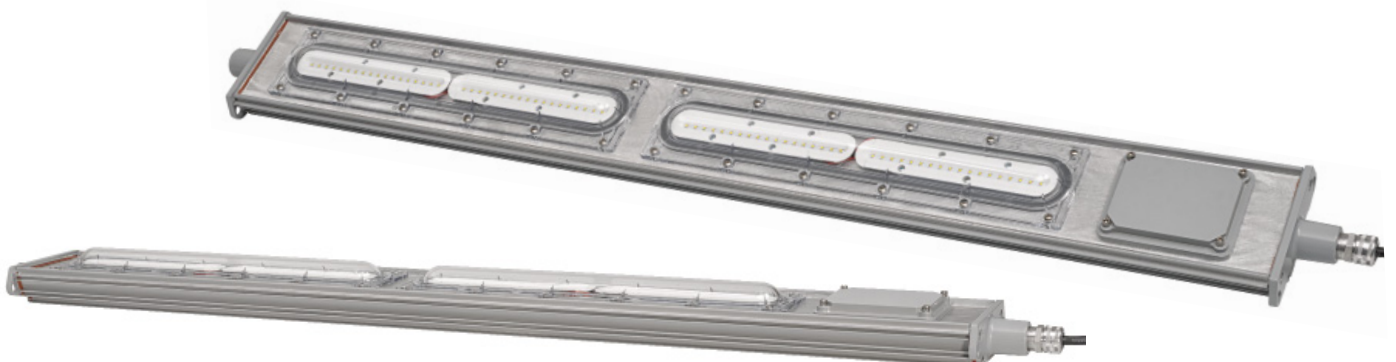
Model	Voltage	Current (A)	Wattage (W)	Power factor	THD
MLL2/UNV1	100	0.28	28.2	0.90	<20%
MLL2/UNV1	277	0.12	29.4	0.90	<20%
MLL2/UNV34	347	0.09	29.2	0.90	<20%
MLL2/UNV34	480	0.07	30.1	0.90	<20%
MLL4/UNV1	100	0.55	55.0	0.95	<20%
MLL4/UNV1	277	0.20	54.5	0.95	<20%
MLL4/UNV34	347	0.16	55.8	0.95	<20%
MLL4/UNV34	480	0.12	56.2	0.95	<20%

## Temperature codes:

Ambient temperature	Min. temp. wire supply	Class I, Div. 2	Class II, Div. 1	Simultaneous rating
				Class I, Div. 2, Class II, Div. 1
40°C	60°C	T6	T6	T6
55°C	75°C	T5	T5	T5
65°C	90°C	T5	T5	T5

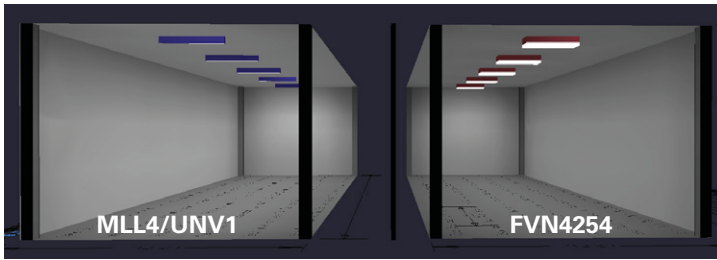
## Weights:

Luminaire	lbs.	kg.
MLL2	12.5	5.7
MLL4	22.5	10.2



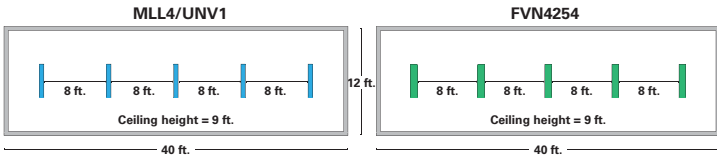
# Photometrics: control room/pump shed

## 4 foot MLL LED with 120° optics vs. 4 foot 2 lamp T5HO FVN

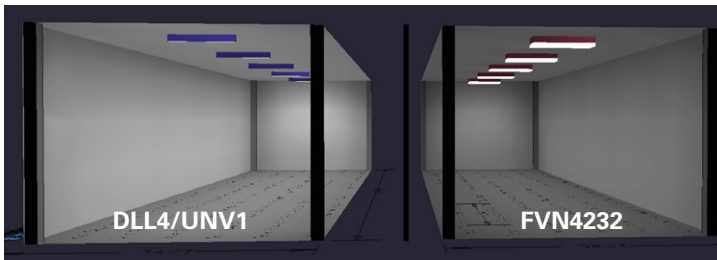


Illuminance (Fc)	MLL4/UNV1	FVN4254
<b>Average</b>	44.87	33.78
<b>Maximum</b>	55.40	42.50
<b>Minimum</b>	25.20	18.90
<b>Average/minimum</b>	1.78	1.79
<b>Maximum/minimum</b>	2.20	2.25

Higher average illumination than 2 lamp T5HO FVN and up to 50% energy savings

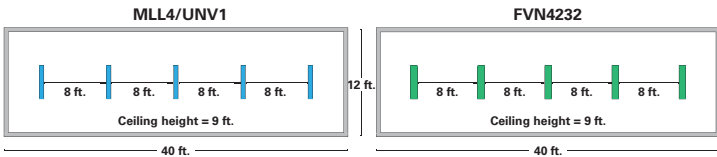


## 4 foot MLL LED with 120° optics vs. 4 foot 2 lamp T8 FVN

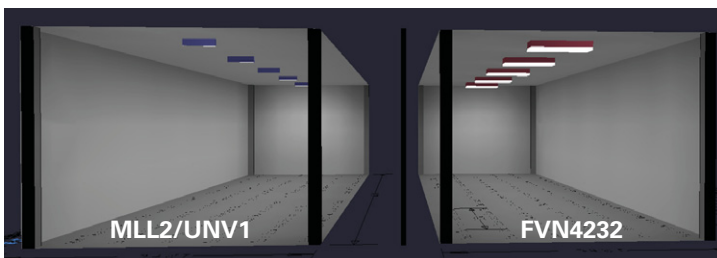


Illuminance (Fc)	MLL4/UNV1	FVN4232
<b>Average</b>	44.89	22.46
<b>Maximum</b>	55.50	28.30
<b>Minimum</b>	25.20	12.40
<b>Average/minimum</b>	1.78	1.81
<b>Maximum/minimum</b>	2.20	2.28

Twice the average illumination of 2 lamp T8 FVN

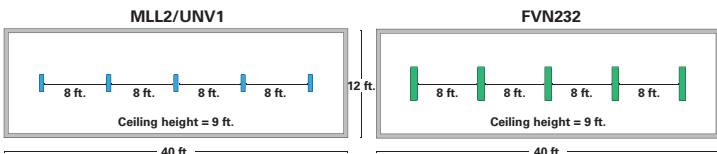


## 2 foot MLL LED with 120° optics vs. 4 foot 2 lamp T8 FVN



Illuminance (Fc)	MLL2/UNV1	FVN4232
<b>Average</b>	22.57	22.04
<b>Maximum</b>	27.90	27.70
<b>Minimum</b>	12.70	12.00
<b>Average/minimum</b>	1.78	1.84
<b>Maximum/minimum</b>	2.20	2.31

Equivalent illumination to a 2 lamp T8 FVN and up to 50% energy savings

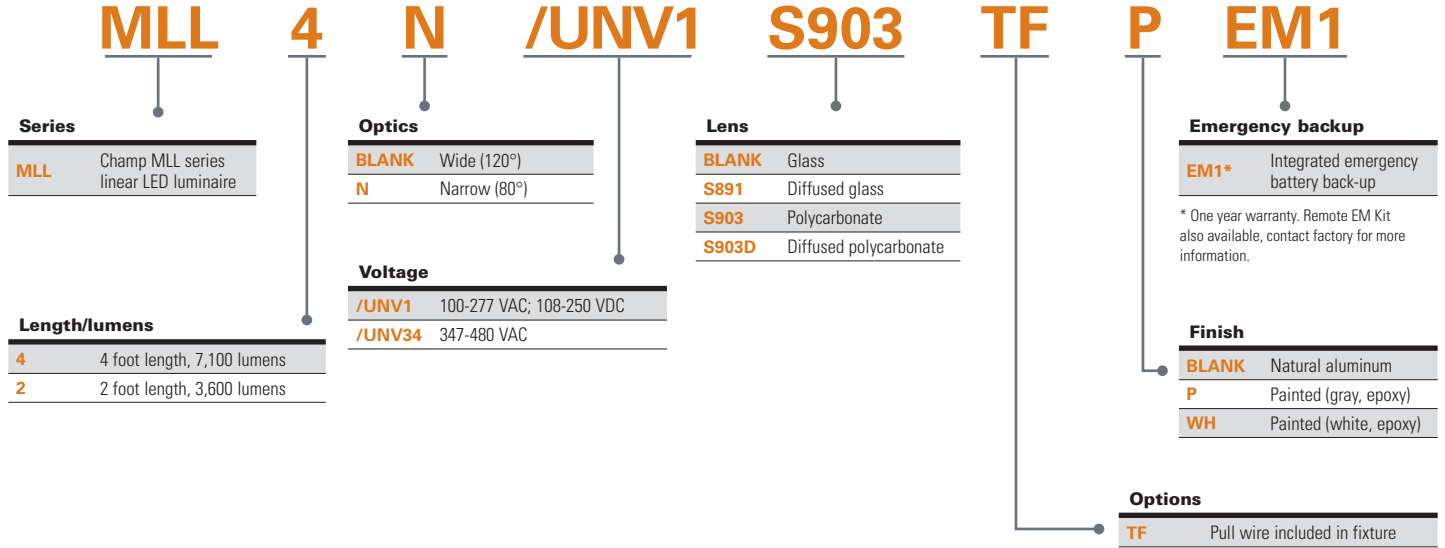


# Ordering information

## Part number example

### MLL4N/UNV1 S903 TF P EM

MLL series linear LED, cool white, 4 foot, 3/4" hubs, 80° narrow light pattern, 100-277 VAC driver, polycarbonate lens, through feed hubs, painted, battery back-up



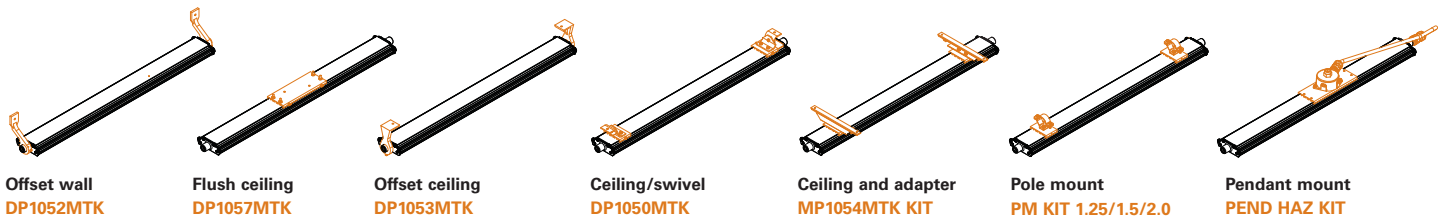
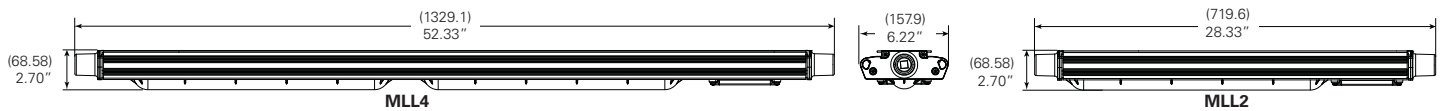
#### Accessories (ordered separately)

<b>DP1057MTK</b>	Flush/back mount back plate ( <i>compatible with DuraPro</i> )
<b>DP1050MTK</b>	Ceiling/swivel mount ( <i>compatible with DuraPro</i> )
<b>DP1053MTK</b>	Ceiling/wall mount offset ( <i>compatible with DuraPro</i> )
<b>MP1054MTK KIT</b>	Ceiling mount bracket and adapter kit ( <i>compatible with MagnaPro</i> )
<b>DP1052MTK</b>	Offset wall mount ( <i>compatible with DuraPro</i> )
<b>PM KIT 1.25</b>	Pole mount kit, 1.25" conduit
<b>PM KIT 1.5</b>	Pole mount kit, 1.50" conduit
<b>PM KIT 2.0</b>	Pole mount kit, 2.00" conduit

#### Accessories (ordered separately)

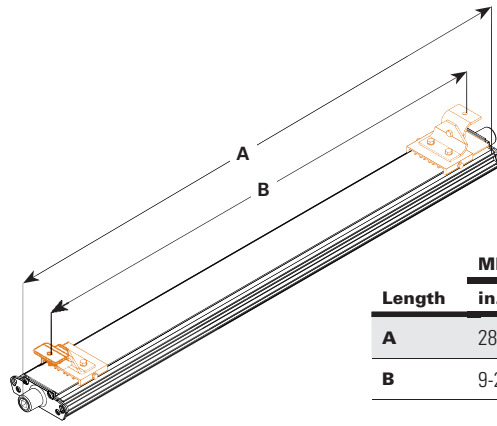
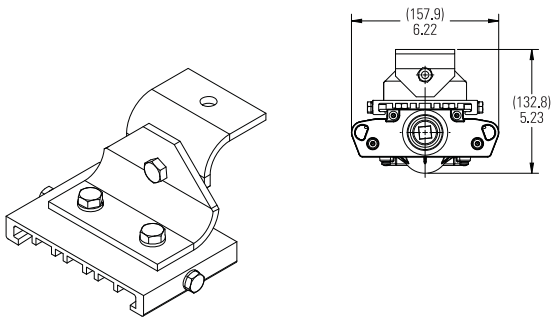
<b>PEND HAZ KIT</b>	Pendant mount kit
<b>SS KIT</b>	Safety chain kit
<b>VMVL/UNV1 80W 1A KIT</b>	1 amp driver replacement kit 100-277 VAC for 4 ft. linear
<b>VMVL/UNV34 80W 1A KIT</b>	1 amp driver replacement kit 347-480 VAC for 4 ft. linear
<b>VMVL/UNV1 80W 0.5A KIT</b>	0.5 amp driver replacement kit 100-277 VAC for 2 ft. linear
<b>VMVL/UNV34 80W 0.5A KIT</b>	0.5 amp driver replacement kit 347-480 VAC for 2 ft. linear

## Dimensions & mounting options:



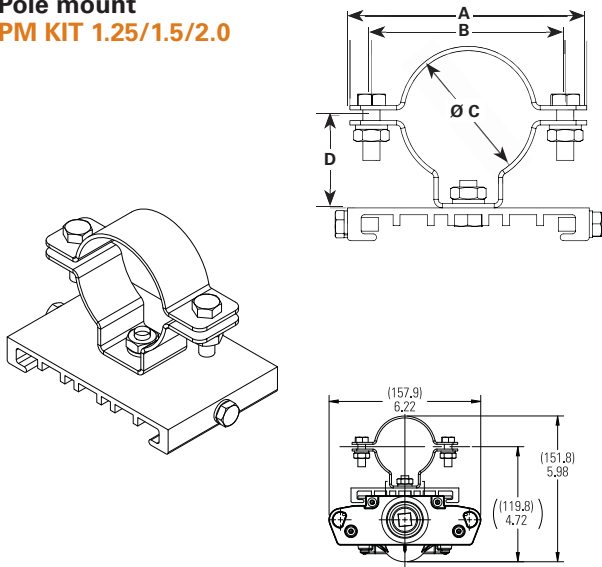
# Mounting options

## Ceiling/swivel mount DP1050MTK

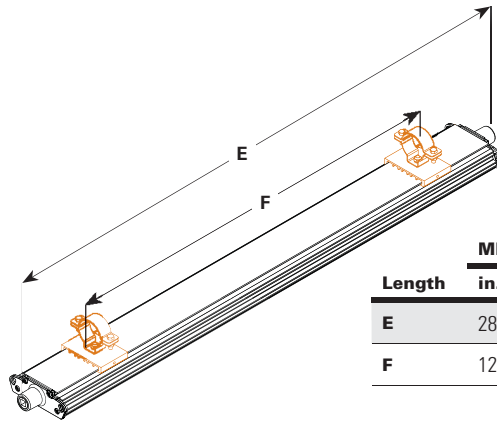


Length	MLL2		MLL4	
	in.	mm.	in.	mm.
A	28.3	720	52.3	1329
B	9-27	222-681	9-51	222-1289

## Pole mount PM KIT 1.25/1.5/2.0

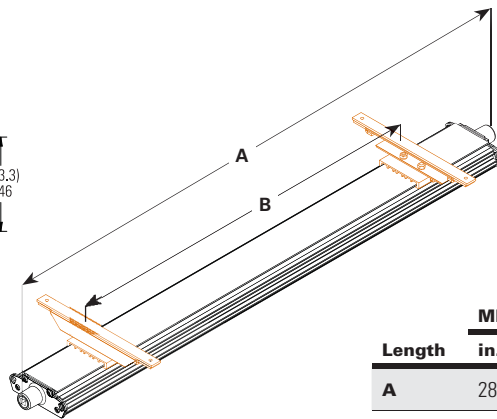
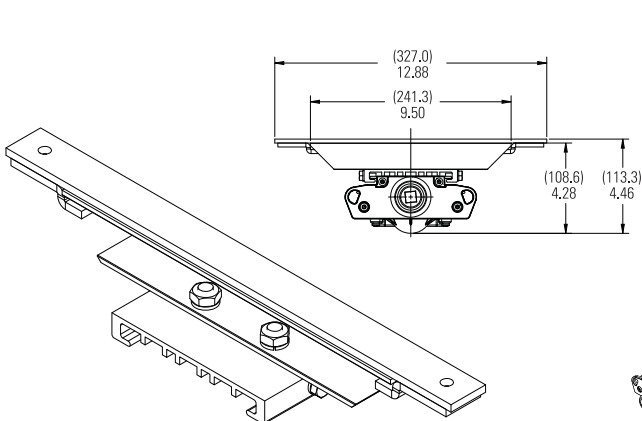


Configuration	ALL MEASUREMENTS IN INCHES			
	A	B	C	D
PM KIT 1.25	4.331	3.543	1.680	1.693
PM KIT 1.5	3.740	2.953	2.000	1.535
PM KIT 2.0	3.386	2.598	2.360	1.378



Length	MLL2		MLL4	
	in.	mm.	in.	mm.
E	28.3	720	52.3	1329
F	12-21	305-533	24-45	610-1143

## MagnaPro mount MP1054MTK KIT

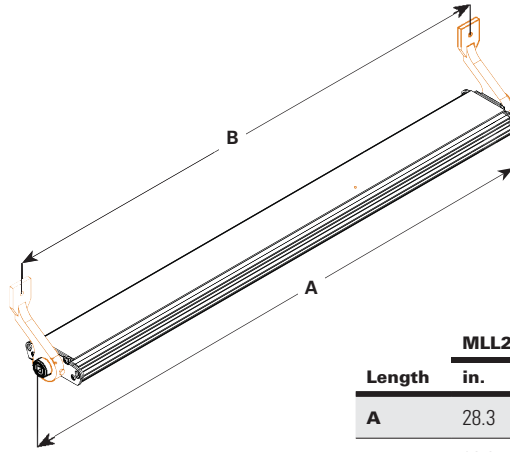
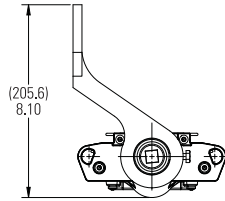
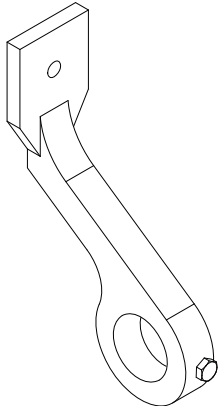


Length	MLL2		MLL4	
	in.	mm.	in.	mm.
A	28.3	720	52.3	1329
B	12-22	305-559	24-46	610-1168



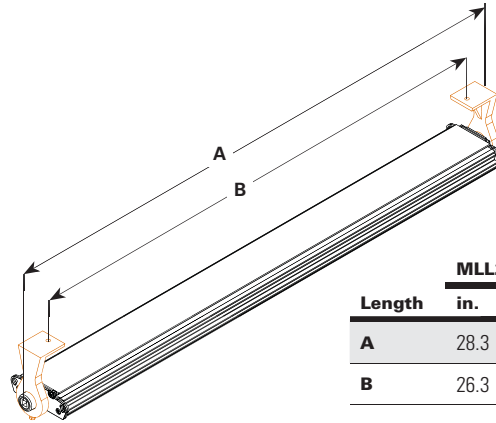
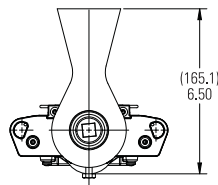
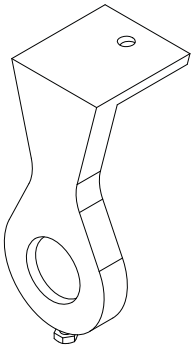
# Mounting options

## Offset wall DP1052MTK



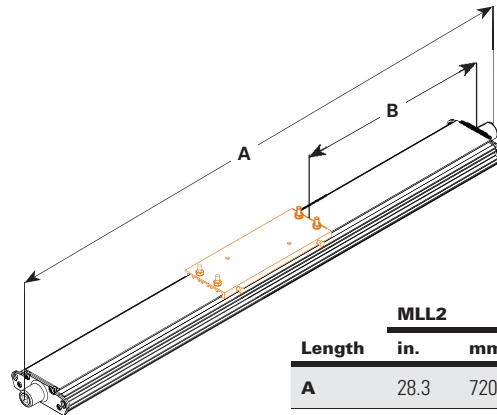
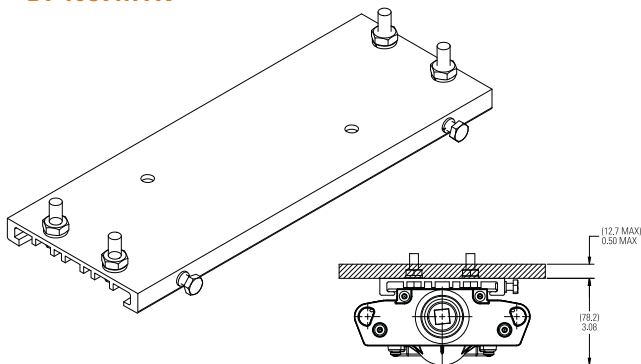
Length	MLL2		MLL4	
	in.	mm.	in.	mm.
<b>A</b>	28.3	720	52.3	1329
<b>B</b>	26.3	669	50.3	1278

## Offset ceiling/wall mount DP1053MTK



Length	MLL2		MLL4	
	in.	mm.	in.	mm.
<b>A</b>	28.3	720	52.3	1329
<b>B</b>	26.3	584	47.0	1194

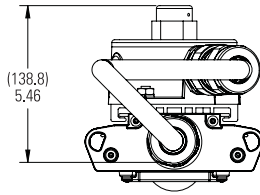
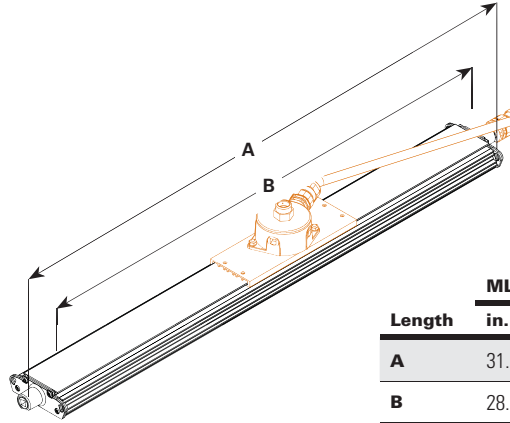
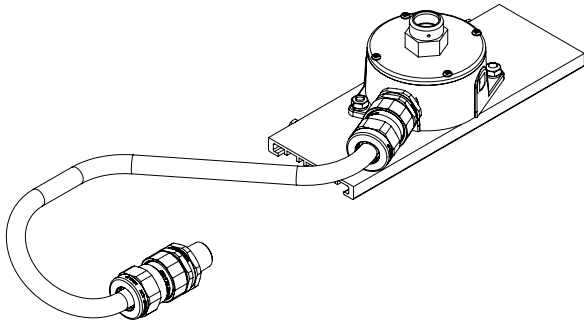
## Flush ceiling DP1057MTK



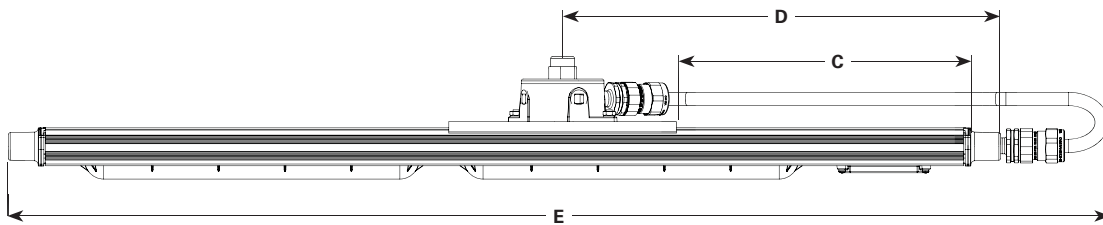
Length	MLL2		MLL4	
	in.	mm.	in.	mm.
<b>A</b>	28.3	720	52.3	1329
<b>B</b>	6.2	157.5	18.2	462

# Mounting options

Pendant mount - Class I, Div. 2 only  
**PEND HAZ KIT**



Length	MLL2		MLL4	
	in.	mm.	in.	mm.
<b>A</b>	31.7	805	55.8	1418
<b>B</b>	28.3	720	52.3	1329
<b>C</b>	4.2	108	16.0	406
<b>D</b>	12.2	310	24.0	610
<b>E</b>	34.9	886	58.9	1495



# Battery back-up

Champ MLL linear LED luminaires are now available with an integral battery back-up module. Virtually the same size as the standard 4 foot model and up to 90 minutes of emergency lighting to keep your facility and people safe.



Model	EM output	Normal output
MLL4/UNV1 EM1	1,400 lumens (100-277V)	6,720 lumens (100-277V)

### Applications:

- Egress and emergency lighting for areas requiring uninterrupted lighting during power failure
- Hazardous rated indoor and outdoor emergency lighting in manufacturing plants, heavy industrial, chemical and petrochemical facilities, platforms, loading docks and parking areas.

### Key features:

- Operating ambient: 0°C to +40°C
- 90 minute runtime in emergency mode
- 6,720 lumen output for normal operation
- 1,400 in emergency mode
- 50,000 hours rated life @ 40°C
- IP66 rated enclosure
- LED indicator to check battery operation
- Nickel-cadmium battery
- 1 year warranty

### Certifications and compliances:

#### NEC/CEC

- Class I, Division 2, Groups A, B, C, D
- Class II, Division 2, Groups F, G
- Wet Location, IP66, Type 4X

#### UL Standards

- UL844 Hazardous (Classified)
- UL1598 Luminaires, UL1598A Marine
- UL924 Emergency Lighting

#### CSA Standard

- CSA C22.2 Nos. 250, 137, 141

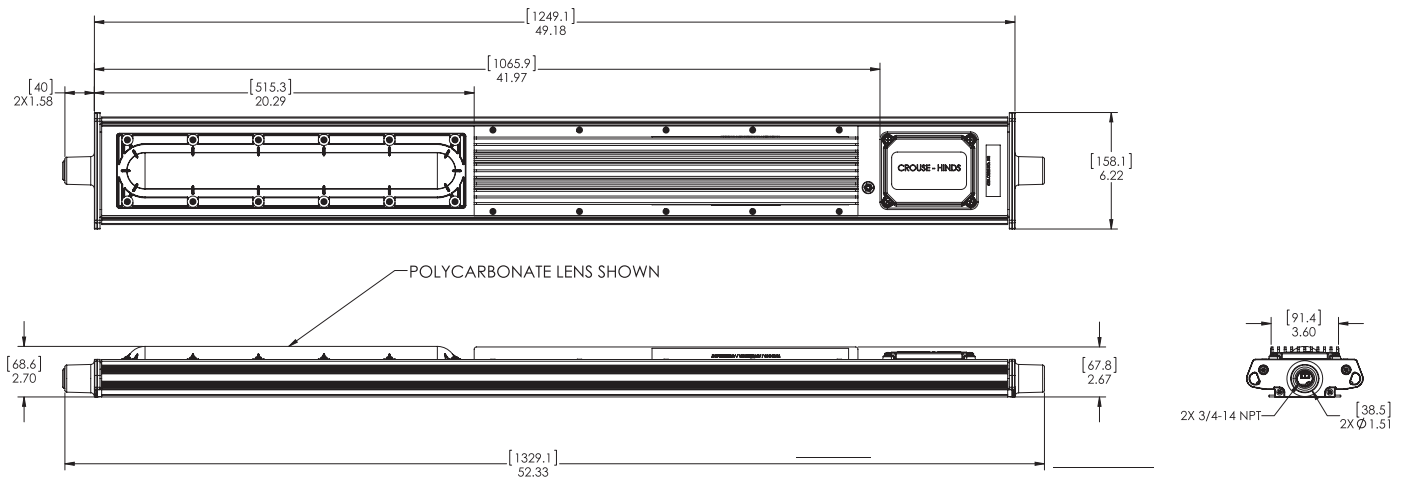
### Electrical ratings:

<b>Voltage</b>	120	277
<b>Amperage @ 120VAC</b>	.48	.212
<b>Wattage @ 120VAC</b>	57.8	57.7
<b>Lumen output</b>	6,720	6,720
<b>Frequency</b>	50/60Hz	50/60Hz
<b>Power factor @ 100 VAC</b>	.997	.980
<b>THD</b>	6.58	11.70

### Temperature codes:

Ambient temperature	Min. temp. wire supply	Simultaneous rating		
		Class I, Div. 2	Class II, Div. I	Class I, Div. 2, Class II, Div. 1
40°C	60°C	T5	T6	T5

### Dimensions:



**U.S. (global headquarters):  
Eaton's Crouse-Hinds business**

1201 Wolf Street  
Syracuse, NY 13208

(866) 764-5454  
FAX: (315) 477-5179  
FAX Orders Only:  
(866) 653-0640

[crousecustomerctr@eaton.com](mailto:crousecustomerctr@eaton.com)

**For more information:**

If further assistance is required, please contact an authorized Eaton Distributor, Sales Office, or Customer Service Department.

**Canada**

Toll Free: 800-265-0502  
FAX: (800) 263-9504  
FAX Orders only: (866) 653-0645

**Mexico/Latin America/Caribbean**

52-555-804-4000  
FAX: 52-555-804-4020  
[ventascentromex@eaton.com](mailto:ventascentromex@eaton.com)

**Europe (Germany)**

49 (0) 6271 806-500  
49 (0) 6271 806-476  
[sales.CCH.de@cooperindustries.com](mailto:sales.CCH.de@cooperindustries.com)

**Middle East**

971 4 8066100  
FAX: 971 4 8894813  
[chmesales@eaton.com](mailto:chmesales@eaton.com)

**Singapore**

65-6645-9888  
FAX: 65-6297-4819  
[chsi-sales@cooperindustries.com](mailto:chsi-sales@cooperindustries.com)

**China**

86-21-2899-3600  
FAX: 86-21-2899-4055  
[cchsales@cooperindustries.com](mailto:cchsales@cooperindustries.com)

**Korea**

82-2-3484-6783  
82-2-3484-6778  
[CCHK-sales@cooperindustries.com](mailto:CCHK-sales@cooperindustries.com)

**Australia**

61-2-8787-2777  
FAX: 61-2-9609-2342  
[CEASales@cooperindustries.com](mailto:CEASales@cooperindustries.com)

**India**

91-124-4683888  
FAX: 91-124-4683899  
[cchindia@cooperindustries.com](mailto:cchindia@cooperindustries.com)

**Eaton**  
1000 Eaton Boulevard  
Cleveland, OH 44122  
United States  
[Eaton.com](http://Eaton.com)

© 2016 Eaton  
All Rights Reserved  
Printed in USA  
Publication No. 5177-1216  
December 2016

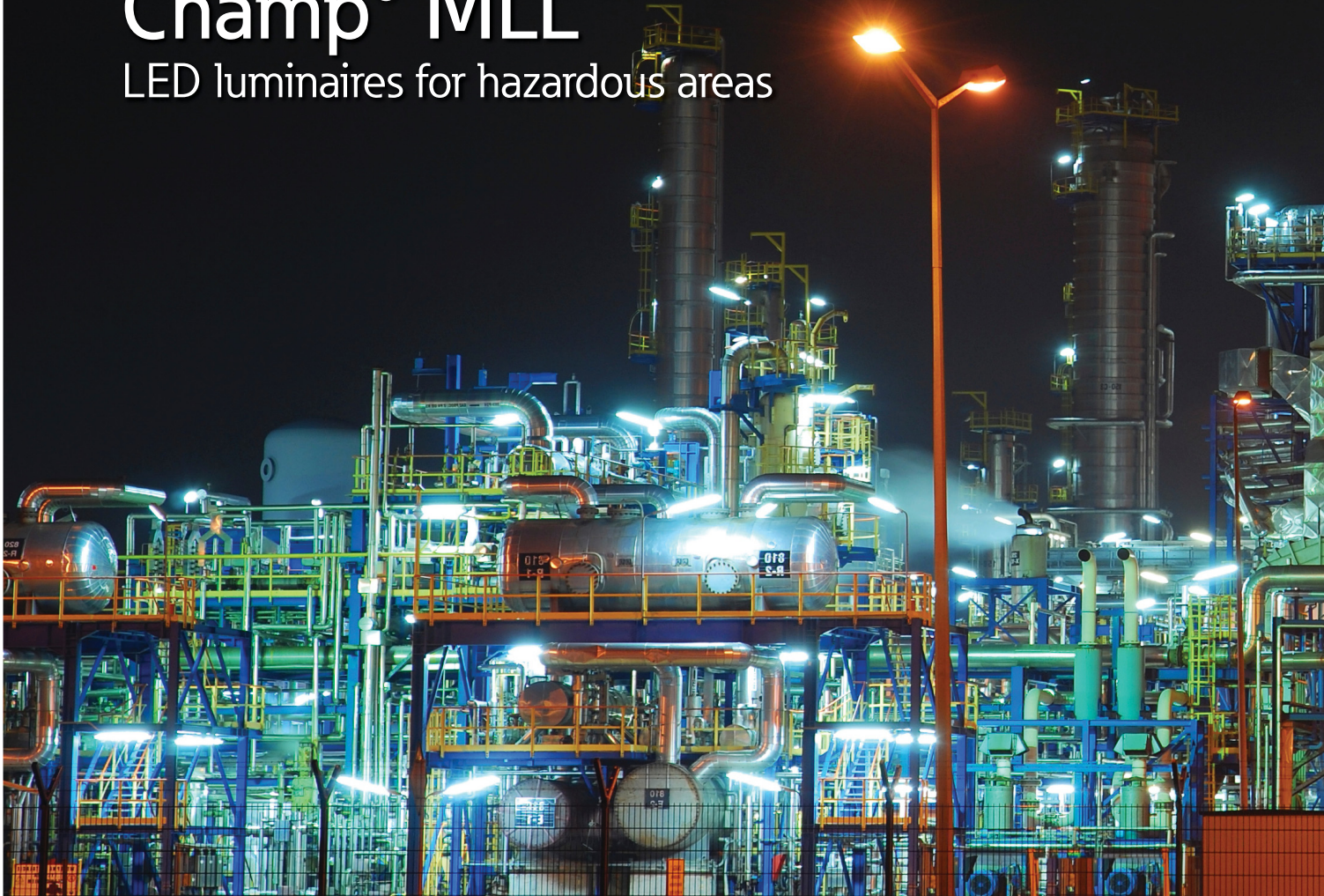
Eaton is a registered trademark.  
All other trademarks are property of their respective owners.

LED lighting for hazardous areas  
Champ® MLL LED Luminaires

CROUSE-HINDS  
SERIES

# Champ® MLL

LED luminaires for hazardous areas



**EATON**

*Powering Business Worldwide*



Champ® MLL Series LEDs

# Safe. Reliable. Efficient.

Featuring the industry's broadest range of LED luminaires for harsh and hazardous environments, Eaton's Crouse-Hinds can deliver a lighting solution that performs reliably in even the worst operating conditions. All the while reducing your energy, maintenance and manpower costs.



## Why LED?

### Useful life

Rated life is up to 60,000 hours of maintenance-free and safe operation

### Energy efficiency

LED average energy consumption is 65% less than T12, T8 and T5HO fluorescent fixtures

### Start/restart time

Instant illumination vs. 10 minute restrike time for fluorescent

### Light quality

Higher color rendering and color temperature compared to fluorescent

### Environmental benefits

Mercury-free LED eliminates disposal costs and lower energy consumption for a smaller carbon footprint

## Why Crouse-Hinds?

### Industry-best reliability

Built to withstand extreme temperatures, vibration, water and dust

### Thermal management

Effective heat sinking ensures longer life

### Quality of light

Custom optics designed to maximize light distribution and intensity

### Retrofit compatibility

LED fixtures are compatible with Pauluhn™ DuraPro, MagnaPro, Rig-A-Lite™ and Snelson® fluorescent fixtures

# Why Champ® MLL LED?

**Designed for harsh and hazardous.** Champ MLL linear LED luminaires are engineered to handle demanding conditions. The MLL stands up to high vibration, hose down, shock and impact, while delivering long life and high lumen performance for up to 20 years.

## Custom optics:

- Standard wide (120°) beam spread for control room and indoor application maximizes illumination on wall panels
- Narrow (80°) beam spread option for targeted illumination; avoids spillage and light loss

## Comprehensive certification:

- Single model certified for use in Class I, Division 2 and Class II, Division 1 harsh and hazardous applications

## Quick & easy installation:

- Easy access to drivers and wiring
- No custom brackets or hardware needed
- Seven mounting options available

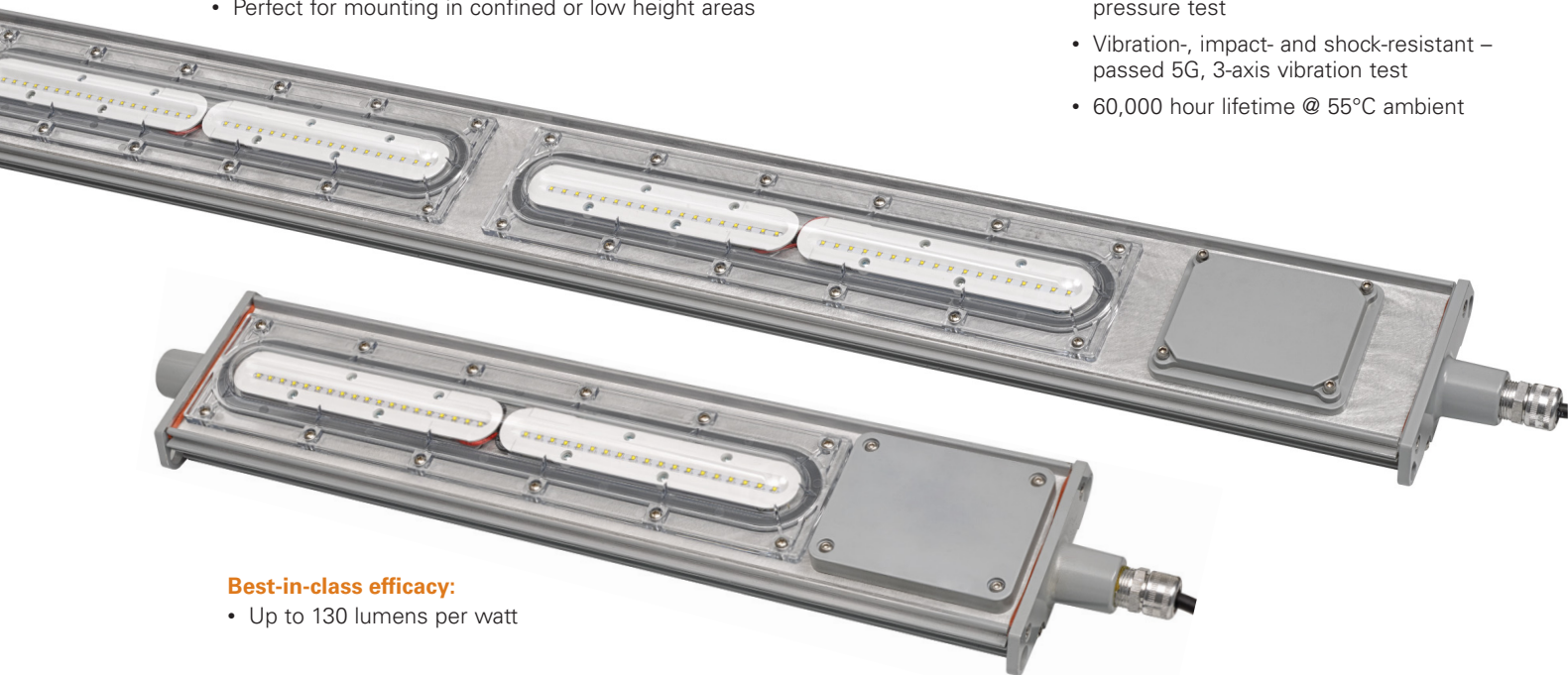


## Slim profile:

- 2.7" fixture height (excluding mounting brackets)
- Perfect for mounting in confined or low height areas

## Built to last:

- Ingress protection from hose down water or diesel fuel in harsh operational conditions – passed 2,000 psi high pressure test
- Vibration-, impact- and shock-resistant – passed 5G, 3-axis vibration test
- 60,000 hour lifetime @ 55°C ambient



## Best-in-class efficacy:

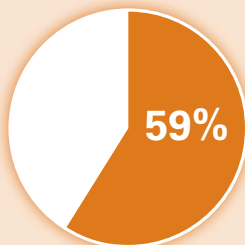
- Up to 130 lumens per watt

## LED vs. fluorescent savings at a glance

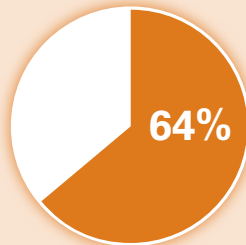
Why are so many facilities making the switch from fluorescent to LED?

The numbers say it all.

## MLL4 vs. 2-lamp T5HO



59% REDUCTION IN ENERGY COSTS



64% LOWER TOTAL COST OF OWNERSHIP



100% MAINTENANCE REDUCTION

Assumptions: Calculations based on overall life of the LED system. Energy cost of \$.09 per kilowatt; 24 hour per day operation; labor rate of \$75 each for 2 workers; average time for fixture maintenance of 2 hours.

# Champ® MLL Series LED Luminaires

The Champ MLL Linear LED by Eaton's Crouse-Hinds is specifically designed to replace fluorescent T12, T8 and T5HO lighting in harsh and hazardous applications. The rugged and durable design features the industry's most versatile and flexible mounting options. The Champ MLL is the ideal solution for high vibration, impact and hose down applications.

## Applications:

Oil and gas refineries, petrochemical facilities, food and beverage facilities, platforms, loading docks, tunnels, outdoor wall and stanchion mounted general area lighting, and where flammable vapors, gases, ignitable dusts, fibers or flyings are present.

## Key features & benefits:

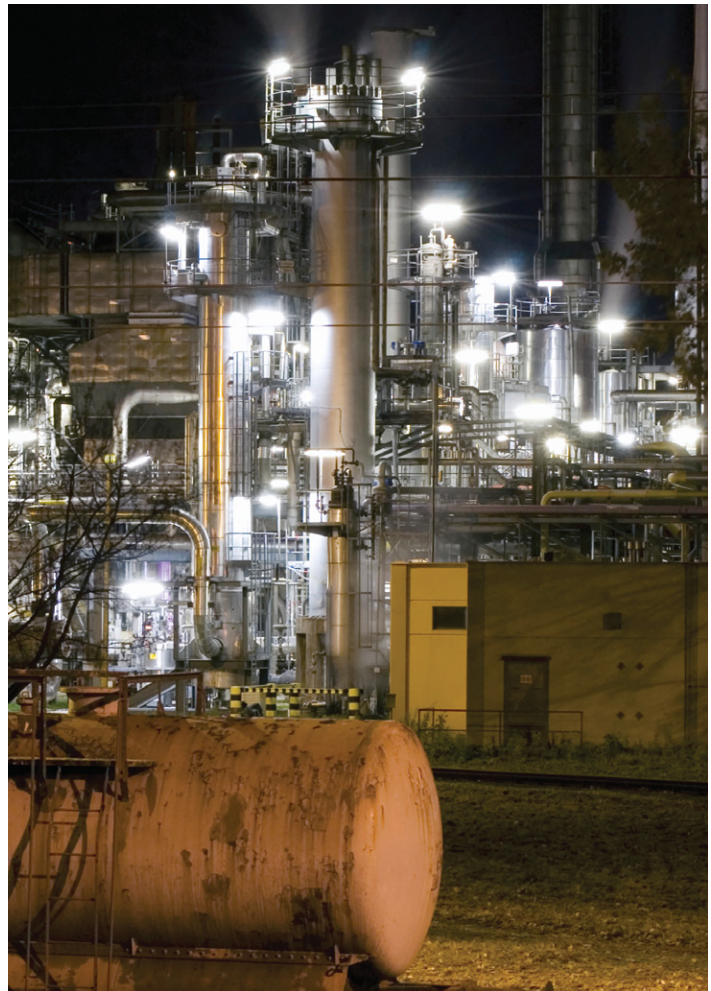
- Industry-leading efficacy: up to 130 LPW
- -40°C to +65°C ambient operating temperature (standard model)
- Low profile (<3" height)
- Versatile ceiling/swivel, wall, flush, pole and pendant mounting options
- Wide and narrow optics for uniform illumination
- Four points of secondary retention
- 2,000 psi high pressure hose rated
- High vibration resistance
- Emergency battery back-up (90 minutes) and surge protection options (up to 10kV)‡
- DesignLights Consortium® Qualified (some models are not DLC qualified)\*
- 5 year fixture warranty†



‡ One year warranty

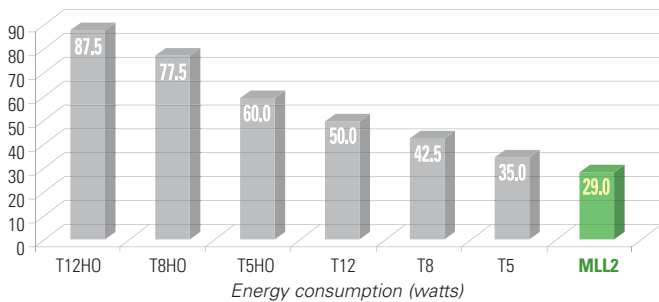
\* Refer to [www.designlights.org](http://www.designlights.org) Qualified Products List under Family Models for full listing details. Not all models are approved for all application categories.

† Refer to page 2 of the D-0716 authorized distributor price book for Crouse-Hinds standard Terms and Conditions.



## Energy consumption comparison

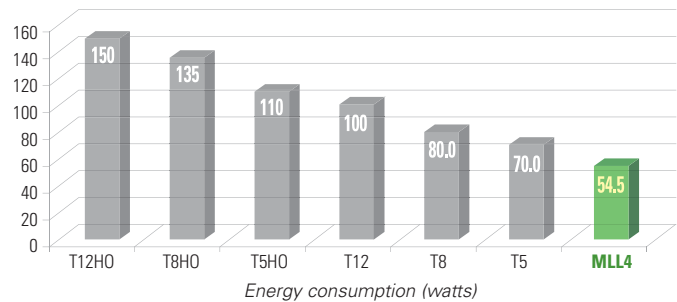
2 foot MLL linear LED vs. fluorescent



Model	Typical lumens	Wattage	Lumens per watt	Equivalent HID luminaire	Typical energy savings / lifetime
MLL2	3,600	29	124	T12HO	Up to 67%
				T8HO	Up to 63%
				T5HO	Up to 52%
				T12	Up to 42%
				T8	Up to 32%
				T5	Up to 17%

All luminaires in the comparison are 2 lamp, 2 foot

4 foot MLL linear LED vs. fluorescent



Model	Typical lumens	Wattage	Lumens per watt	Equivalent HID luminaire	Typical energy savings / lifetime
MLL4	7,100	54.5	130	T12HO	Up to 64%
				T8HO	Up to 60%
				T5HO	Up to 50%
				T12	Up to 46%
				T8	Up to 32%
				T5	Up to 22%

All luminaires in the comparison are 2 lamp, 4 foot



# Specifications

## Certifications:

### NEC standards:

- Class I, Division 2, Groups A, B, C, D
- Class II, Division 1, Groups F, G
- Class I, Zone 2
- Class III
- NEMA 4X; IP66
- Marine and Wet Locations

### UL standards:

- UL844 Electrical Fixture Hangers for Hazardous Locations
- UL1598 Luminaire
- UL1598A Luminaire for Installation on Marine Vessels
- UL924 for Emergency Lighting

### CSA standard:

- C22.2 No. 137

### Additional certifications:

- ABS design assessed

## Materials:

### Housing:

- Copper-free aluminum
- Optional Corro-free™ epoxy powder coat

### Lens:

- Glass or polycarbonate
- Diffused glass or polycarbonate

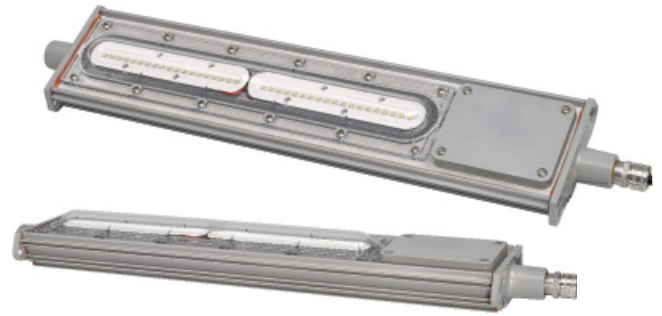
## Mounting:

### Versatile mounting options:

- Flush back mount
- Swivel/ceiling back mount
- Offset ceiling mount
- Offset wall mount
- Pole mount
- Pendant mount

### Easily retrofit to:

- Existing Pauluhn™ DuraPro and MagnaPro fluorescent light fixtures
- Rig-A-Lite™ and Snelson® C1D2 fluorescent lighting fixtures



## Electrical ratings:

	MLL2	MLL4
<b>Lumen output</b>	3,600	7,100
<b>Frequency</b>	50/60 Hz	50/60 Hz
<b>Voltage</b>	100-277 VAC/108-250 VDC; 347-480 VAC	

Model	Voltage	Current (A)	Wattage (W)	Power factor	THD
MLL2/UNV1	100	0.28	28.2	0.90	<20%
MLL2/UNV1	277	0.12	29.4	0.90	<20%
MLL2/UNV34	347	0.09	29.2	0.90	<20%
MLL2/UNV34	480	0.07	30.1	0.90	<20%
MLL4/UNV1	100	0.55	55.0	0.95	<20%
MLL4/UNV1	277	0.20	54.5	0.95	<20%
MLL4/UNV34	347	0.16	55.8	0.95	<20%
MLL4/UNV34	480	0.12	56.2	0.95	<20%

## Temperature codes:

Ambient temperature	Min. temp. wire supply	Class I, Div. 2	Class II, Div. 1	Simultaneous rating
				Class I, Div. 2, Class II, Div. 1
40°C	60°C	T6	T6	T6
55°C	75°C	T5	T5	T5
65°C	90°C	T5	T5	T5

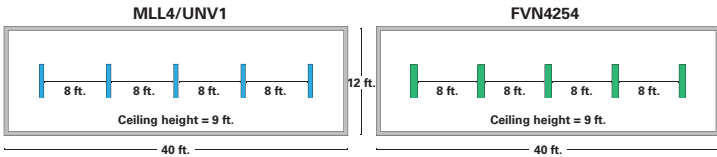
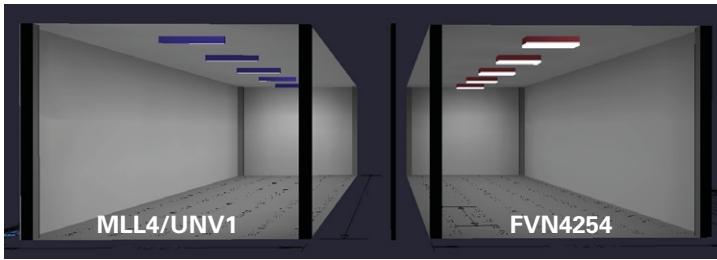
## Weights:

Luminaire	lbs.	kg.
MLL2	12.5	5.7
MLL4	22.5	10.2



# Photometrics: control room/pump shed

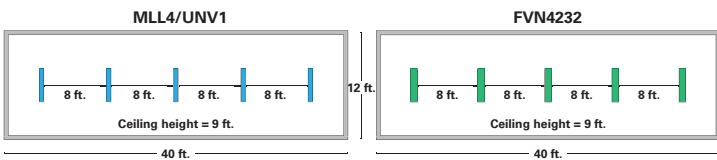
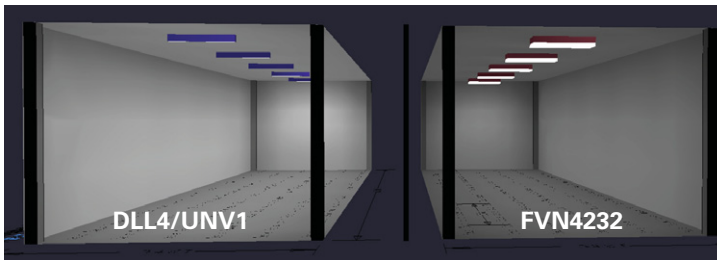
## 4 foot MLL LED with 120° optics vs. 4 foot 2 lamp T5HO FVN



Illuminance (Fc)	MLL4/UNV1	FVN4254
<b>Average</b>	44.87	33.78
<b>Maximum</b>	55.40	42.50
<b>Minimum</b>	25.20	18.90
<b>Average/minimum</b>	1.78	1.79
<b>Maximum/minimum</b>	2.20	2.25

Higher average illumination than 2 lamp T5HO FVN and up to 50% energy savings

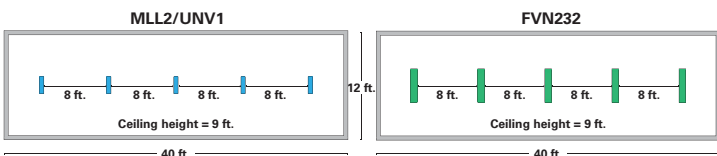
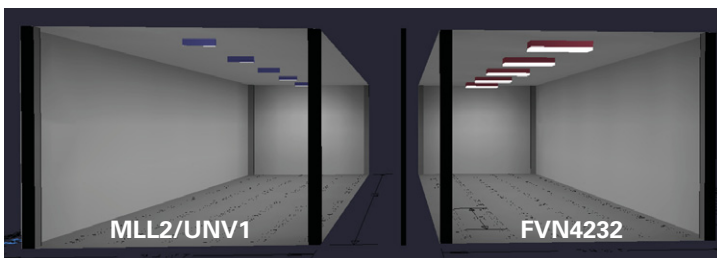
## 4 foot MLL LED with 120° optics vs. 4 foot 2 lamp T8 FVN



Illuminance (Fc)	MLL4/UNV1	FVN4232
<b>Average</b>	44.89	22.46
<b>Maximum</b>	55.50	28.30
<b>Minimum</b>	25.20	12.40
<b>Average/minimum</b>	1.78	1.81
<b>Maximum/minimum</b>	2.20	2.28

Twice the average illumination of 2 lamp T8 FVN

## 2 foot MLL LED with 120° optics vs. 4 foot 2 lamp T8 FVN



Illuminance (Fc)	MLL2/UNV1	FVN4232
<b>Average</b>	22.57	22.04
<b>Maximum</b>	27.90	27.70
<b>Minimum</b>	12.70	12.00
<b>Average/minimum</b>	1.78	1.84
<b>Maximum/minimum</b>	2.20	2.31

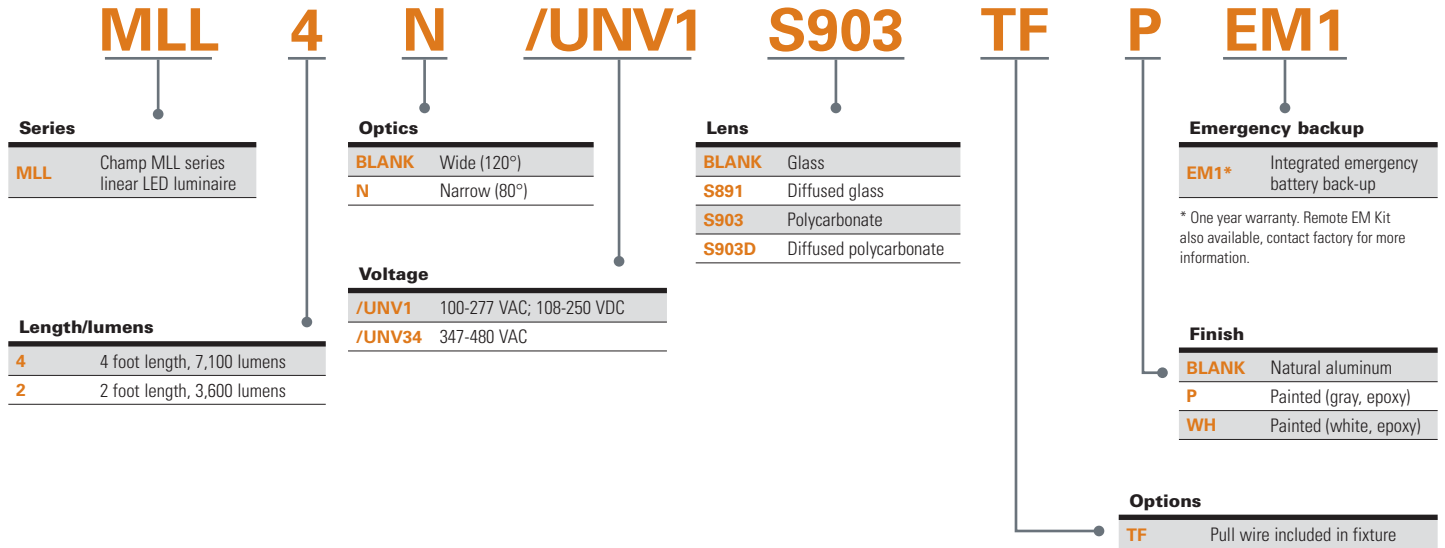
Equivalent illumination to a 2 lamp T8 FVN and up to 50% energy savings

# Ordering information

## Part number example

### MLL4N/UNV1 S903 TF P EM

MLL series linear LED, cool white, 4 foot, 3/4" hubs, 80° narrow light pattern, 100-277 VAC driver, polycarbonate lens, through feed hubs, painted, battery back-up



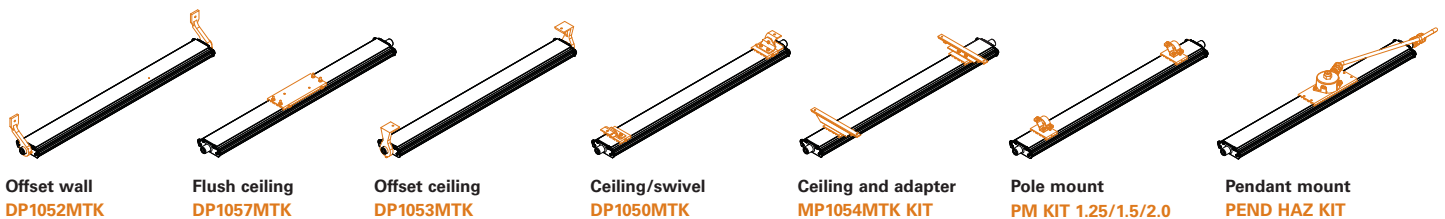
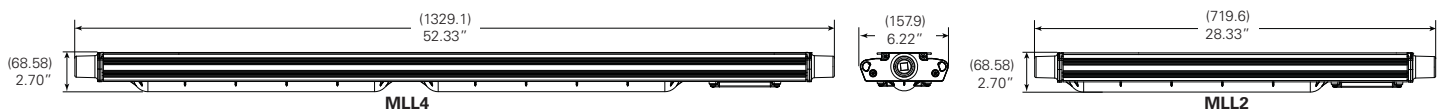
#### Accessories (ordered separately)

<b>DP1057MTK</b>	Flush/back mount back plate ( <i>compatible with DuraPro</i> )
<b>DP1050MTK</b>	Ceiling/swivel mount ( <i>compatible with DuraPro</i> )
<b>DP1053MTK</b>	Ceiling/wall mount offset ( <i>compatible with DuraPro</i> )
<b>MP1054MTK KIT</b>	Ceiling mount bracket and adapter kit ( <i>compatible with MagnaPro</i> )
<b>DP1052MTK</b>	Offset wall mount ( <i>compatible with DuraPro</i> )
<b>PM KIT 1.25</b>	Pole mount kit, 1.25" conduit
<b>PM KIT 1.5</b>	Pole mount kit, 1.50" conduit
<b>PM KIT 2.0</b>	Pole mount kit, 2.00" conduit

#### Accessories (ordered separately)

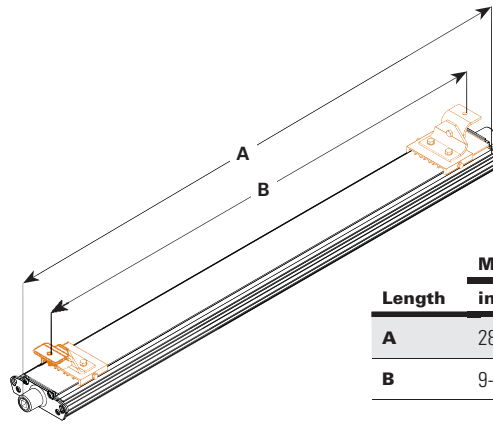
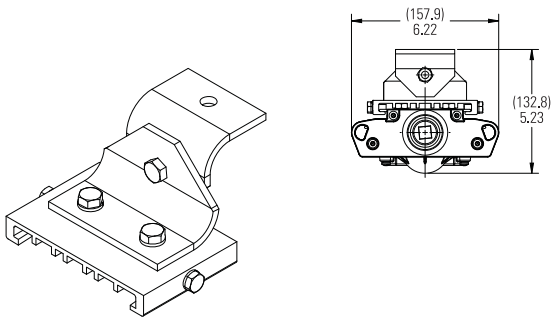
<b>PEND HAZ KIT</b>	Pendant mount kit
<b>SS KIT</b>	Safety chain kit
<b>VMVL/UNV1 80W 1A KIT</b>	1 amp driver replacement kit 100-277 VAC for 4 ft. linear
<b>VMVL/UNV34 80W 1A KIT</b>	1 amp driver replacement kit 347-480 VAC for 4 ft. linear
<b>VMVL/UNV1 80W 0.5A KIT</b>	0.5 amp driver replacement kit 100-277 VAC for 2 ft. linear
<b>VMVL/UNV34 80W 0.5A KIT</b>	0.5 amp driver replacement kit 347-480 VAC for 2 ft. linear

## Dimensions & mounting options:



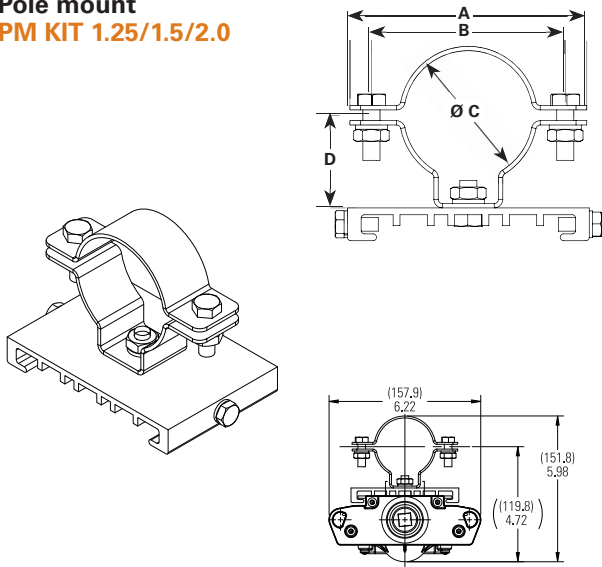
# Mounting options

## Ceiling/swivel mount DP1050MTK

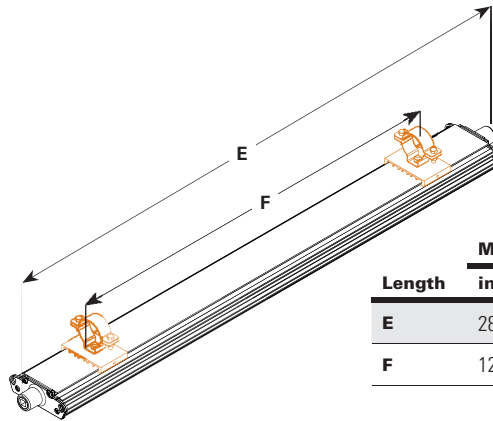


Length	MLL2		MLL4	
	in.	mm.	in.	mm.
A	28.3	720	52.3	1329
B	9-27	222-681	9-51	222-1289

## Pole mount PM KIT 1.25/1.5/2.0

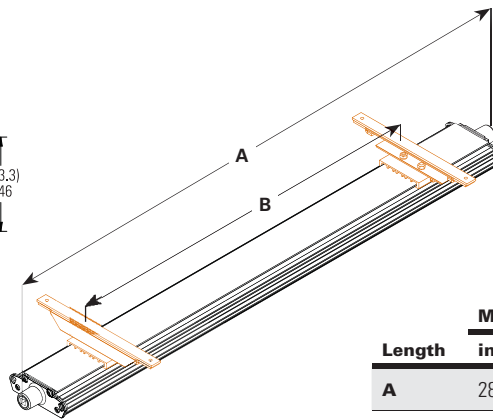
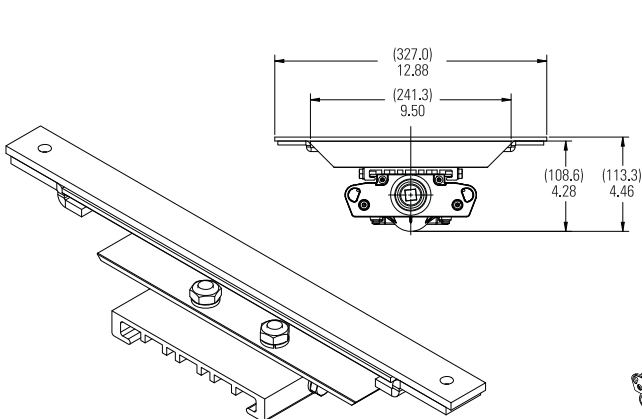


Configuration	ALL MEASUREMENTS IN INCHES			
	A	B	C	D
PM KIT 1.25	4.331	3.543	1.680	1.693
PM KIT 1.5	3.740	2.953	2.000	1.535
PM KIT 2.0	3.386	2.598	2.360	1.378



Length	MLL2		MLL4	
	in.	mm.	in.	mm.
E	28.3	720	52.3	1329
F	12-21	305-533	24-45	610-1143

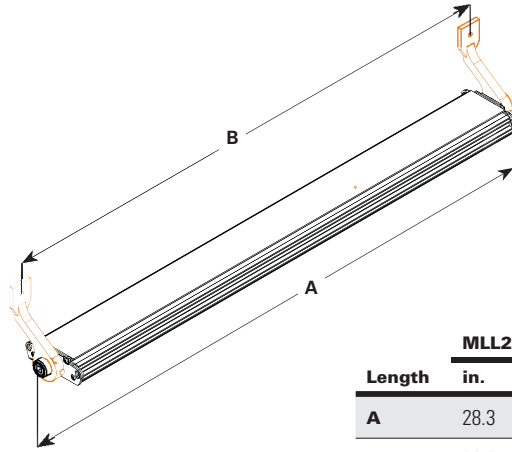
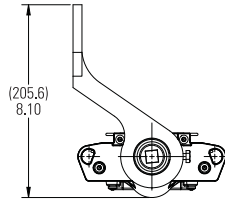
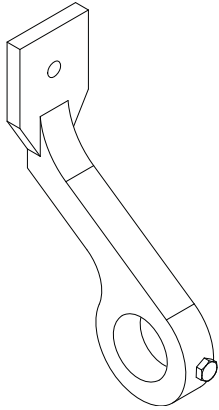
## MagnaPro mount MP1054MTK KIT



Length	MLL2		MLL4	
	in.	mm.	in.	mm.
A	28.3	720	52.3	1329
B	12-22	305-559	24-46	610-1168

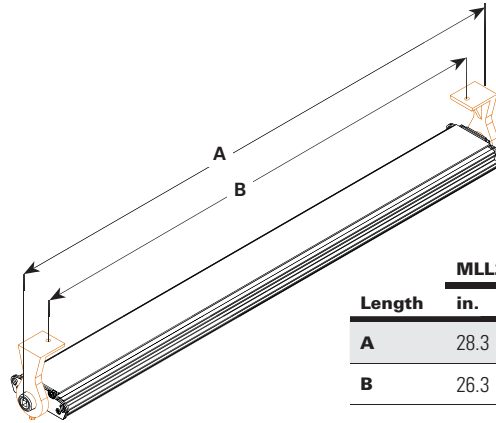
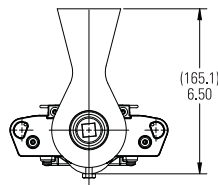
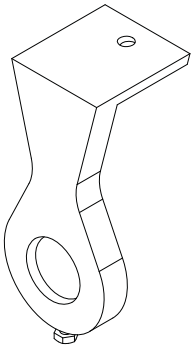
# Mounting options

## Offset wall DP1052MTK



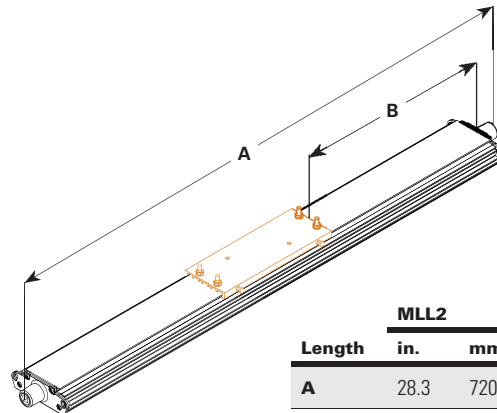
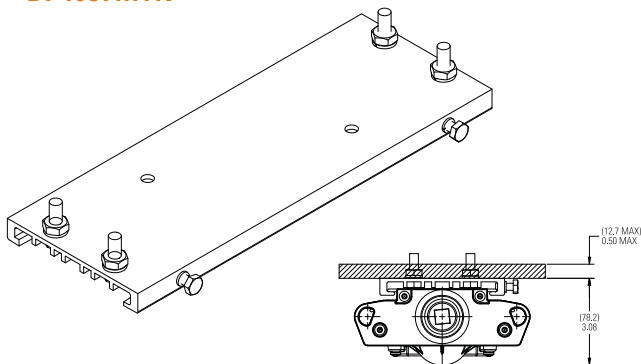
Length	MLL2		MLL4	
	in.	mm.	in.	mm.
<b>A</b>	28.3	720	52.3	1329
<b>B</b>	26.3	669	50.3	1278

## Offset ceiling/wall mount DP1053MTK



Length	MLL2		MLL4	
	in.	mm.	in.	mm.
<b>A</b>	28.3	720	52.3	1329
<b>B</b>	26.3	584	47.0	1194

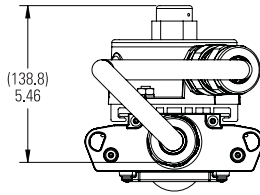
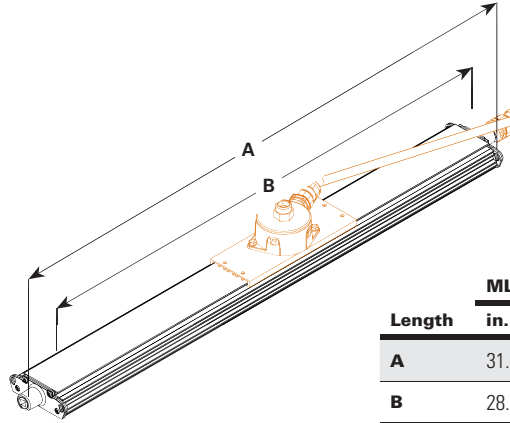
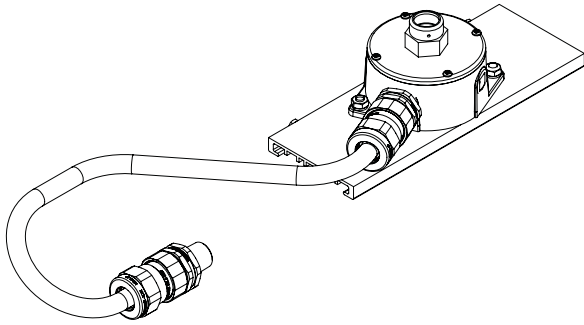
## Flush ceiling DP1057MTK



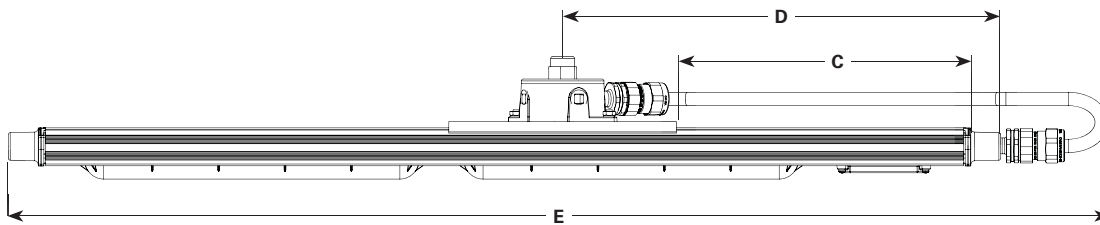
Length	MLL2		MLL4	
	in.	mm.	in.	mm.
<b>A</b>	28.3	720	52.3	1329
<b>B</b>	6.2	157.5	18.2	462

# Mounting options

Pendant mount - Class I, Div. 2 only  
**PEND HAZ KIT**



Length	MLL2		MLL4	
	in.	mm.	in.	mm.
<b>A</b>	31.7	805	55.8	1418
<b>B</b>	28.3	720	52.3	1329
<b>C</b>	4.2	108	16.0	406
<b>D</b>	12.2	310	24.0	610
<b>E</b>	34.9	886	58.9	1495



# Battery back-up

Champ MLL linear LED luminaires are now available with an integral battery back-up module. Virtually the same size as the standard 4 foot model and up to 90 minutes of emergency lighting to keep your facility and people safe.



Model	EM output	Normal output
<b>MLL4/UNV1 EM1</b>	1,400 lumens (100-277V)	6,720 lumens (100-277V)

### Applications:

- Egress and emergency lighting for areas requiring uninterrupted lighting during power failure
- Hazardous rated indoor and outdoor emergency lighting in manufacturing plants, heavy industrial, chemical and petrochemical facilities, platforms, loading docks and parking areas.

### Key features:

- Operating ambient: 0°C to +40°C
- 90 minute runtime in emergency mode
- 6,720 lumen output for normal operation
- 1,400 in emergency mode
- 50,000 hours rated life @ 40°C
- IP66 rated enclosure
- LED indicator to check battery operation
- Nickel-cadmium battery
- 1 year warranty

### Certifications and compliances:

#### NEC/CEC

- Class I, Division 2, Groups A, B, C, D
- Class II, Division 2, Groups F, G
- Wet Location, IP66, Type 4X

#### UL Standards

- UL844 Hazardous (Classified)
- UL1598 Luminaires, UL1598A Marine
- UL924 Emergency Lighting

#### CSA Standard

- CSA C22.2 Nos. 250, 137, 141

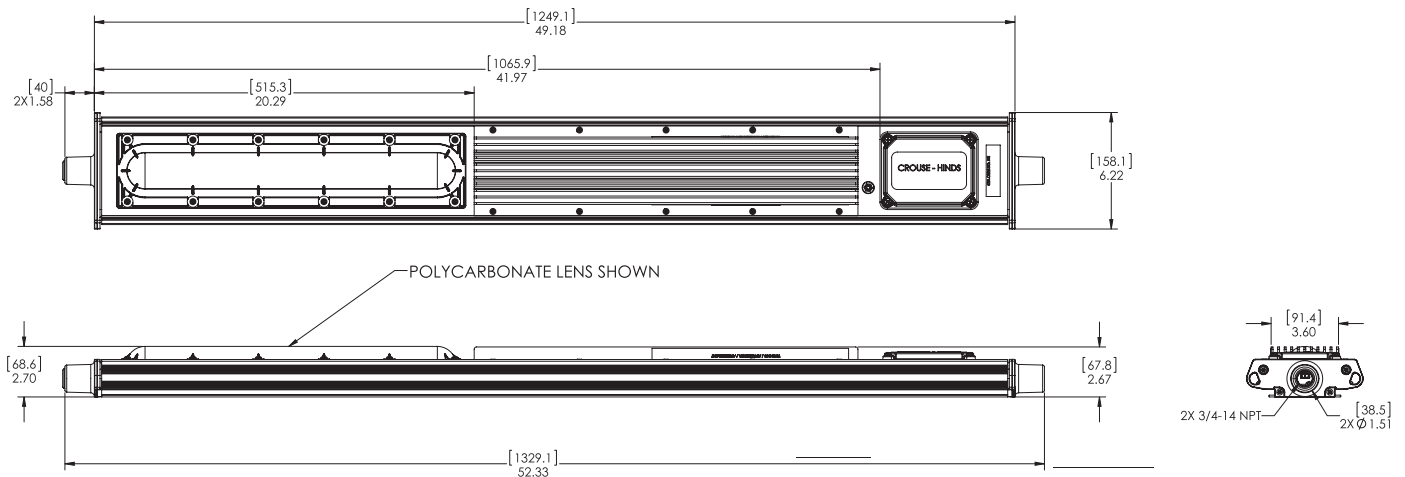
### Electrical ratings:

<b>Voltage</b>	120	277
<b>Amperage @ 120VAC</b>	.48	.212
<b>Wattage @ 120VAC</b>	57.8	57.7
<b>Lumen output</b>	6,720	6,720
<b>Frequency</b>	50/60Hz	50/60Hz
<b>Power factor @ 100 VAC</b>	.997	.980
<b>THD</b>	6.58	11.70

### Temperature codes:

Ambient temperature	Min. temp. wire supply	Class I, Div. 2	Class II, Div. I	Simultaneous rating
				Class I, Div. 2, Class II, Div. 1
40°C	60°C	T5	T6	T5

### Dimensions:



**U.S. (global headquarters):  
Eaton's Crouse-Hinds business**

1201 Wolf Street  
Syracuse, NY 13208

(866) 764-5454  
FAX: (315) 477-5179  
FAX Orders Only:  
(866) 653-0640

[crousecustomerctr@eaton.com](mailto:crousecustomerctr@eaton.com)

**For more information:**

If further assistance is required, please contact an authorized Eaton Distributor, Sales Office, or Customer Service Department.

**Canada**

Toll Free: 800-265-0502  
FAX: (800) 263-9504  
FAX Orders only: (866) 653-0645

**Mexico/Latin America/Caribbean**

52-555-804-4000  
FAX: 52-555-804-4020  
[ventascentromex@eaton.com](mailto:ventascentromex@eaton.com)

**Europe (Germany)**

49 (0) 6271 806-500  
49 (0) 6271 806-476  
[sales.CCH.de@cooperindustries.com](mailto:sales.CCH.de@cooperindustries.com)

**Middle East**

971 4 8066100  
FAX: 971 4 8894813  
[chmesales@eaton.com](mailto:chmesales@eaton.com)

**Singapore**

65-6645-9888  
FAX: 65-6297-4819  
[chsi-sales@cooperindustries.com](mailto:chsi-sales@cooperindustries.com)

**China**

86-21-2899-3600  
FAX: 86-21-2899-4055  
[cchsales@cooperindustries.com](mailto:cchsales@cooperindustries.com)

**Korea**

82-2-3484-6783  
82-2-3484-6778  
[CCHK-sales@cooperindustries.com](mailto:CCHK-sales@cooperindustries.com)

**Australia**

61-2-8787-2777  
FAX: 61-2-9609-2342  
[CEASales@cooperindustries.com](mailto:CEASales@cooperindustries.com)

**India**

91-124-4683888  
FAX: 91-124-4683899  
[cchindia@cooperindustries.com](mailto:cchindia@cooperindustries.com)

**Eaton**  
1000 Eaton Boulevard  
Cleveland, OH 44122  
United States  
[Eaton.com](http://Eaton.com)

© 2016 Eaton  
All Rights Reserved  
Printed in USA  
Publication No. 5177-1216  
December 2016

Eaton is a registered trademark.  
All other trademarks are property of their respective owners.