

Catalog Number
Notes
Type

FEATURES & SPECIFICATIONS

INTENDED USE — Inspired by classic fluorescent strip channels, this LED fixture offers a traditional appearance that incorporates the latest technology. Available in several lengths and lumen packages. Ideal for use in commercial, retail, office, warehouse and display applications. **Certain airborne contaminants can diminish the integrity of acrylic and/or polycarbonate.** [Click here for Acrylic-Polycarbonate Compatibility table for suitable uses.](#)

Certain airborne contaminants may adversely affect the functioning of LEDs and other electronic components, depending on various factors such as concentrations of the contaminants, ventilation, and temperature at the end-user location. [Click here for a list of substances that may not be suitable for interaction with LEDs and other electronic components.](#)

CONSTRUCTION — Compact-design channel and cover are formed from code-gauge cold-rolled steel. Easy to install row aligner included with 2LL versions for continuous row mounting. High-gloss, baked white enamel finish (standard).

OPTICS — LEDs provided 80+ color rendering index (CRI) at 4000K. Diffuse polycarbonate lens provides smooth, linear illumination which is designed to resemble the classic look of traditional fluorescent tubes.

ELECTRICAL — Luminaire Surge Protection Level: Designed to withstand up to 2.5kV/0.75kA per ANSI C82.77-5-2015. For applications requiring higher level of protection, additional surge protection must be provided. Fixture features a non-dimming driver.

INSTALLATION — Fixture may be surface or suspension mounted with appropriate mounting options (see accessories). Aligner locks in place for easy continuous row mounting.

LISTINGS — CSA certified to US and Canadian safety standards and listed suitable for damp locations. Minimum starting temperature at -40° F (-40° C). Maximum ambient operating temperature of 95° F (35° C) for 4' and 8' models. Maximum ambient operating temperature of 104° F (40° C) for 2' models. Lighting facts listed. ENERGY STAR® certified product.

WARRANTY — 5-year limited warranty. Complete warranty terms located at: www.acuitybrands.com/resources/terms-and-conditions

NOTE: Actual performance may differ as a result of end-user environment and application.

All values are design or typical values, measured under laboratory conditions at 25° C.

Specifications subject to change without notice.



MNSL

LED Striplight



ORDERING INFORMATION

Lead times will vary depending on options selected. Consult with your sales representative.

Catalog number	Description	Lumens	Wattage	Voltage	Driver	Color Temperature	Color Rendering Index	Pallet Quantity
MNSL L23 1LL 120V GZN 40K 80CRI M6	2' 1-Light 120V LED Strip Light	1150	12	120V	Generic non-dimming driver	40K 4000K	80CRI 80 CRI	576
MNSL L46 1LL MVOLT GZN 40K 80CRI M6	4' 1-Light MVOLT LED Strip Light	2300	25	MVOLT (120-277V)	Generic non-dimming driver	40K 4000K	80CRI 80 CRI	288
MNSL L48 2LL MVOLT GZN 40K 80CRI M6	4' 2-Light MVOLT LED Strip Light	4500	50	MVOLT (120-277V)	Generic non-dimming driver	40K 4000K	80CRI 80 CRI	168
MNSL L96 2LL MVOLT GZN 40K 80CRI	8' 2-Light MVOLT LED Strip Light	8200	90	MVOLT (120-277V)	Generic non-dimming driver	40K 4000K	80CRI 80 CRI	252

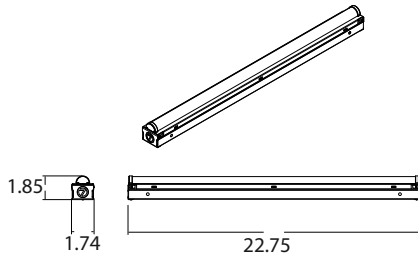
Accessories: Order as separate catalog number.

HC36	Chain hanger and jack chain, 36" (pair)
ZACVH	Aircraft cable 10' (one pair)
SQ	Swivel-stem hanger (specify length in 2" increments)

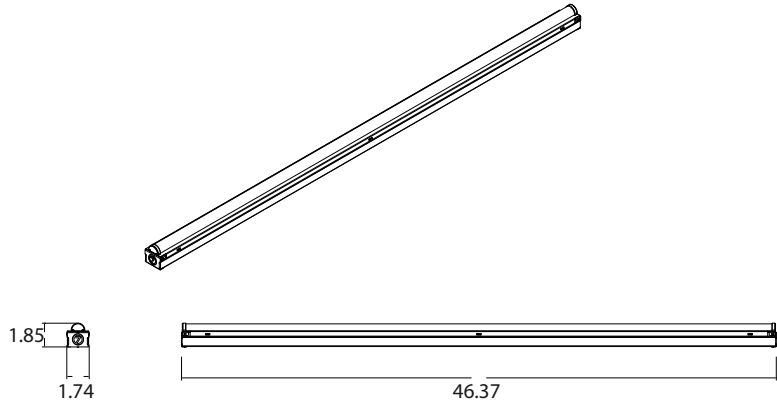
MNSL LED Striplight

DIMENSIONS

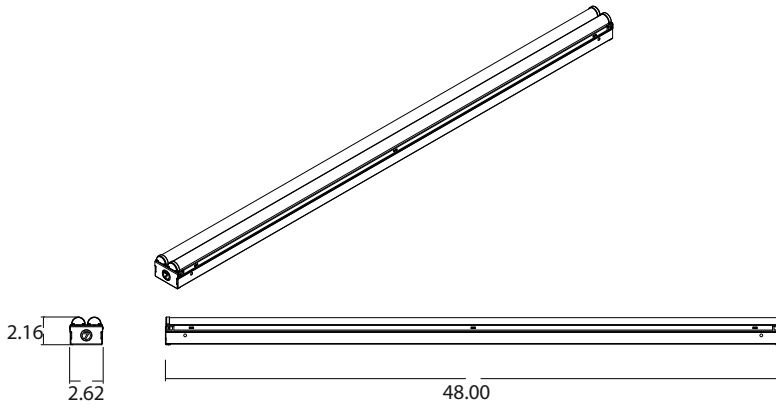
All dimensions are inches (centimeters) unless otherwise indicated.



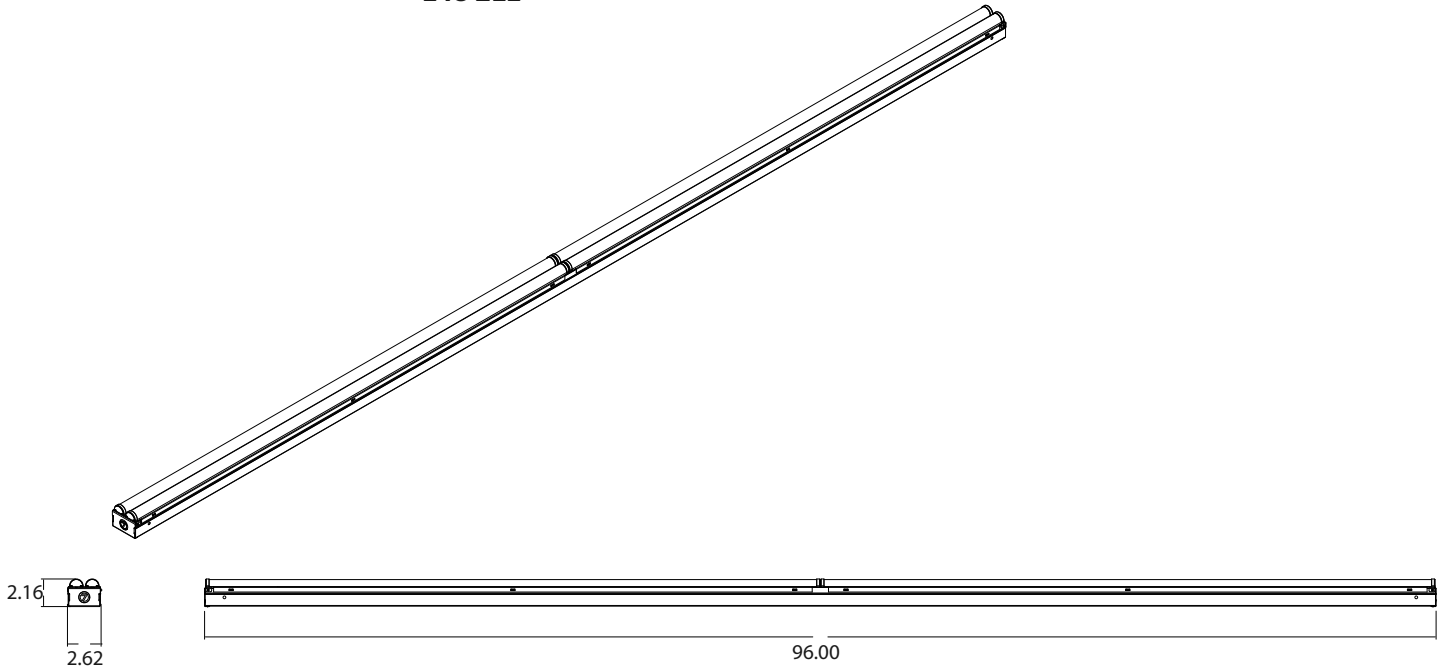
L23 1LL



L46 1LL



L48 2LL



L96 2LL

PHOTOMETRICS

See www.lithonia.com.