

INSTALLATION INSTRUCTIONS

**IMPORTANT: READ CAREFULLY BEFORE INSTALLING LUMINAIRE.
RETAIN FOR FUTURE REFERENCE.**

Small Falcon
Sheet 1 of 7

1/26/05

IMI-623

General: Upon receipt of luminaire thoroughly inspect for any freight damage, which should be brought to the attention of the delivery carrier. Compare the catalog description listed on the packing slip with the luminaire label on the housing to assure you have received the correct merchandise.

Safety: This luminaire must be wired in accordance with the national electrical code and applicable local codes and ordinance. Proper grounding is required to insure personal safety. Carefully observe grounding procedure. All work should be done by a qualified electrician.



WARNING: *Risk of Electric Shock. Disconnect power at fuse or circuit breaker before installing or servicing.*

FAILURE TO FOLLOW INSTRUCTIONS MAY RESULT IN SERIOUS INJURY OR DEATH.

IMPORTANT: READ CAREFULLY BEFORE INSTALLING LUMINAIRE. RETAIN FOR FUTURE USE.



WARNING: *Risk of Burn. Disconnect power and allow fixture to cool before changing lamp or handling fixture.*

APPLICATIONS:



WARNING: *Risk of Fire. These luminaires are intended for outdoor lighting service and should not be used in areas of limited ventilation or in high ambient temperature enclosures.*



WARNING: *Risk of Fire. Supply conductors (power wires) connecting the fixture must be rated minimum 60°C. If uncertain, consult an electrician.*

- Suitable for Wet & Damp Location.
- Use lamp type suitable for this luminaire. Consult re-lamp label and lamp instructions for details.

These instructions do not claim to cover all details or variations in the equipment, procedure, or process described, nor to provide directions for meeting every possible contingency during installation, operation or maintenance. When additional information is desired to satisfy a problem not covered sufficiently for user's purpose, please contact your nearest representative.

COOPER Lighting

INSTALLATION INSTRUCTIONS

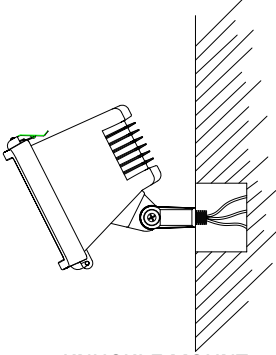
Small falcon
Sheet 2 of 7
1/26/05 IMI-623



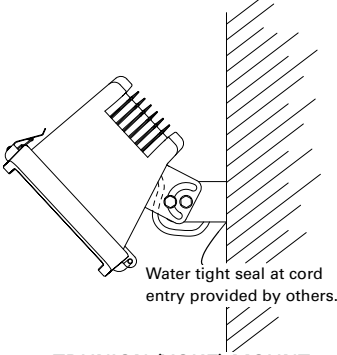
WARNING: Risk of Electric Shock. Disconnect power at fuse or circuit breaker before installing or servicing.

INSTALLATION:

Mounting: (Illustrations 1, 2, and 3)



KNUCKLE MOUNT
ILLUSTRATION 1



TRUNION (YOKE) MOUNT
ILLUSTRATION 2

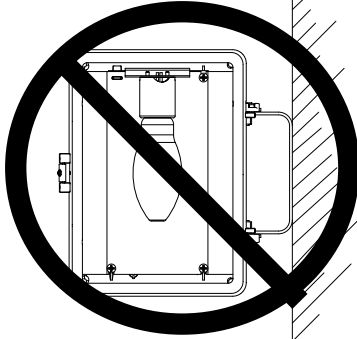


ILLUSTRATION 3

Knuckle Mount - Illustration 1

This luminaire is equipped with an adjustable knuckle which can be mounted directly to the 1/2" NPS access hole in the coverplate of the junction box. Route luminaire leads through the mounting hole on the coverplate. Secure coverplate to knuckle by screwing the coverplate onto the knuckle. Do not tighten locknut at this time (see aiming). **NOTE: Mounting the coverplate to the junction box and then screwing the knuckle of the luminaire into the coverplate can result in twisting the wires, causing connections to break and creating a shock hazard when the power is turned on.** Use wire nuts or other approved connectors to connect the black luminaire lead to the black supply lead, the white luminaire lead to the white supply lead and the bare ground luminaire lead to a suitable ground. Push wires into junction box and install the coverplate (with luminaire attached) to the junction box.



WARNING: Risk of fire and/or electric shock. Failure to follow the above mounting instructions may result in personal injury and/or property damage.

Trunion (Yoke) Mount - Illustration 2

This luminaire is provided with a trunion (yoke) which can be mounted directly on a flat surface. Use wire nuts or other approved connectors to connect the black lead from the cord to the black supply lead, the white lead from the cord to the white supply lead and the green lead from the cord to a suitable ground.



WARNING: Risk of fire and/or electric shock. Failure to follow the above mounting instructions may result in personal injury and/or property damage.

Illustration 3



WARNING: Risk of fire and/or electric shock. Trunion luminaire mounting orientation as shown in Illustration 3 is not allowed. Water entry may result causing damage to internal electrical components. Proper trunion luminaire mounting orientation will result in a horizontal lamp orientation.

These instructions do not claim to cover all details or variations in the equipment, procedure, or process described, nor to provide directions for meeting every possible contingency during installation, operation or maintenance. When additional information is desired to satisfy a problem not covered sufficiently for user's purpose, please contact your nearest representative.

COOPER Lighting

INSTALLATION INSTRUCTIONS

Small falcon
Sheet 3 of 7

1/26/05 IMI-623

**IMPORTANT: READ CAREFULLY BEFORE INSTALLING LUMINAIRE.
RETAIN FOR FUTURE REFERENCE.**

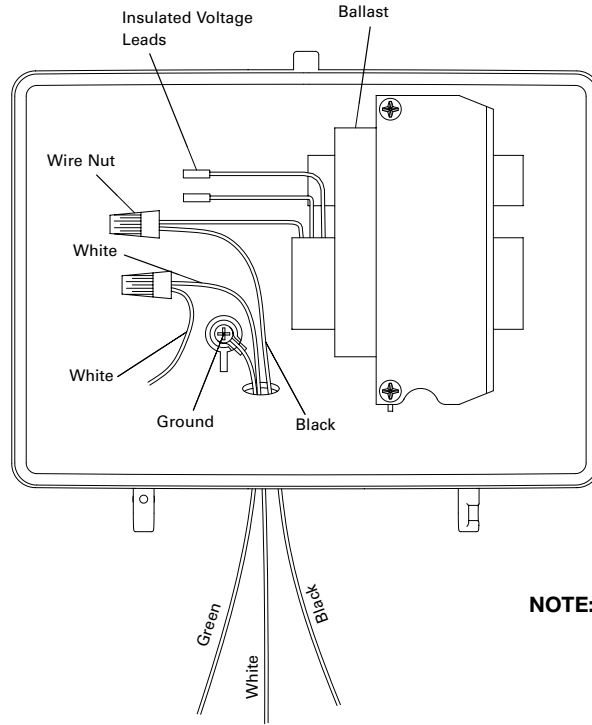


WARNING: Risk of Electric Shock. Disconnect power at fuse or circuit breaker before installing or servicing.

Voltage Wiring: (Illustration 4)



WARNING: Risk of Electric Shock. Disconnect power at fuse or circuit breaker before installing or servicing.



NOTE: Luminaire shown with lamp and reflector removed.

ILLUSTRATION 4

Some luminaire ballasts are provided with multiple voltage options. The ballast voltage must be properly selected to match the incoming supply voltage. If it is necessary to change the ballast voltage, remove the wire nut from the black supply wire. Remove the ballast voltage lead wire and insulate the bare end according to the local electric code. Select the desired ballast voltage lead wire. Remove the insulation and connect the lead wire to the black supply wire using the wire nut previously removed. Insure that all wire connections are properly secure and insulated according to the local electric code.



CAUTION: The ballast voltage must be properly selected to match the incoming supply voltage or damage to the ballast will occur

These instructions do not claim to cover all details or variations in the equipment, procedure, or process described, nor to provide directions for meeting every possible contingency during installation, operation or maintenance. When additional information is desired to satisfy a problem not covered sufficiently for user's purpose, please contact your nearest representative.

COOPER Lighting

INSTALLATION INSTRUCTIONS

Small falcon
Sheet 4 of 7

1/26/05 IMI-623

**IMPORTANT: READ CAREFULLY BEFORE INSTALLING LUMINAIRE.
RETAIN FOR FUTURE REFERENCE.**



WARNING: Risk of Electric Shock. Disconnect power at fuse or circuit breaker before installing or servicing.

Trunion Luminaire Vent Plug: (Illustration 5 and 6)

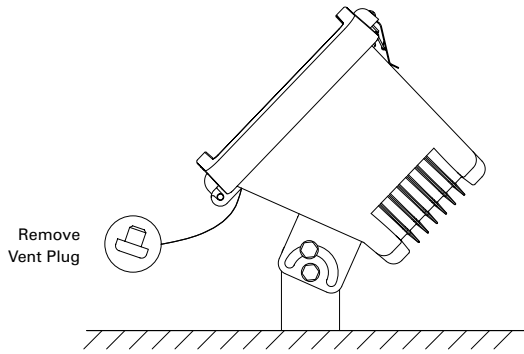


ILLUSTRATION 5

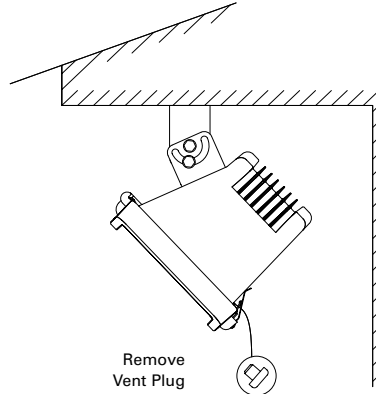


ILLUSTRATION 6

NOTE: When ground mounting a trunion luminaire this vent plug must be removed

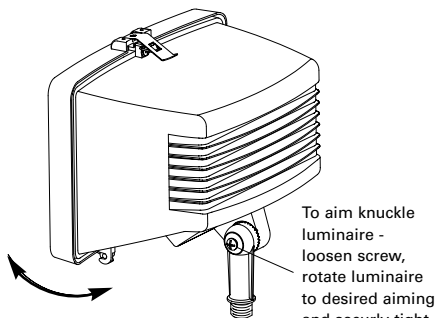
NOTE: When overhead mounting a trunion luminaire this vent plug must be removed.



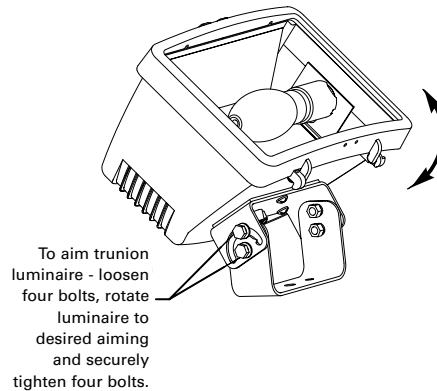
CAUTION: Failure to remove the proper trunion luminaire vent plug as illustrated above may result in water entry causing damage to internal electrical components.

NOTE: DO NOT REMOVE ANY VENT PLUG FROM A KNUCKLE LUMINAIRE.

AIMING: (Illustration 7 and 8)



KNUCKLE AIMING
ILLUSTRATION 7



TRUNION AIMING
ILLUSTRATION 8

These instructions do not claim to cover all details or variations in the equipment, procedure, or process described, nor to provide directions for meeting every possible contingency during installation, operation or maintenance. When additional information is desired to satisfy a problem not covered sufficiently for user's purpose, please contact your nearest representative.

COOPER Lighting

INSTALLATION INSTRUCTIONS

Small falcon
Sheet 5 of 7

1/26/05

IMI-623

**IMPORTANT: READ CAREFULLY BEFORE INSTALLING FIXTURE.
RETAIN FOR FUTURE REFERENCE.**



WARNING: Risk of Electric Shock. Disconnect power at fuse or circuit breaker before installing or servicing.

Door Latch: (Illustration 9)

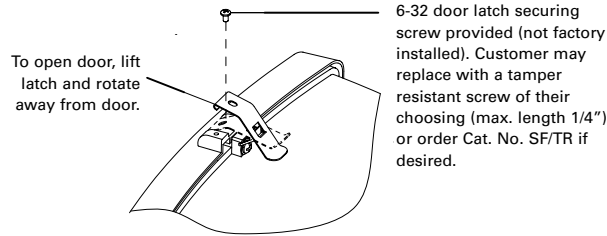


ILLUSTRATION 9

Relamping: (Illustration 10)



WARNING: Risk of Burn. Disconnect power and allow fixture to cool before changing lamp or handling fixture.

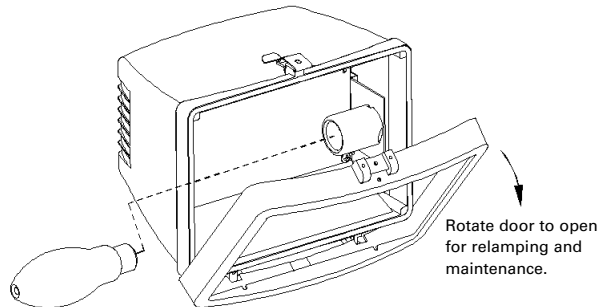


ILLUSTRATION 10

When re-lamping, turn power off and allow the luminaire to cool. Prior to installing the lamp, check that the lamp is of proper type and wattage. Screw the lamp securely into socket, back the lamp out one to two turns, then screw the lamp back in, making sure it is secured. This properly seats the lamp in socket.

Cleaning:



WARNING: Risk of Electric Shock. Disconnect power at fuse or circuit breaker before servicing.



WARNING: Risk of Burn. Disconnect power and allow fixture to cool before handling fixture.

The reflector and door glass may be cleaned with any suitable, non-abrasive glass cleaning solution, soap or detergent and rinsed with clean water.

These instructions do not claim to cover all details or variations in the equipment, procedure, or process described, nor to provide directions for meeting every possible contingency during installation, operation or maintenance. When additional information is desired to satisfy a problem not covered sufficiently for user's purpose, please contact your nearest representative.

COOPER Lighting

INSTALLATION INSTRUCTIONS

Small falcon
Sheet 6 of 7

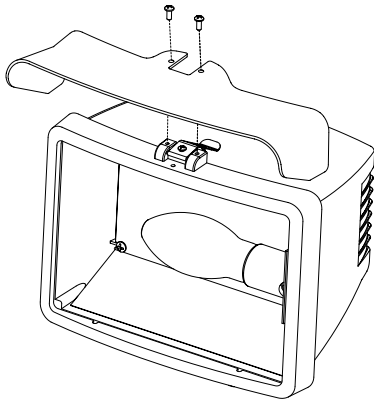
1/26/05 IMI-623

**IMPORTANT: READ CAREFULLY BEFORE INSTALLING LUMINAIRE.
RETAIN FOR FUTURE REFERENCE.**



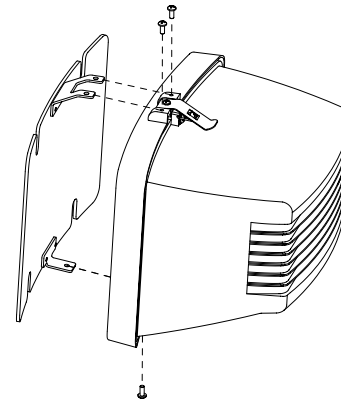
WARNING: Risk of Electric Shock. Disconnect power at fuse or circuit breaker before installing or servicing.

Accessory Installation:



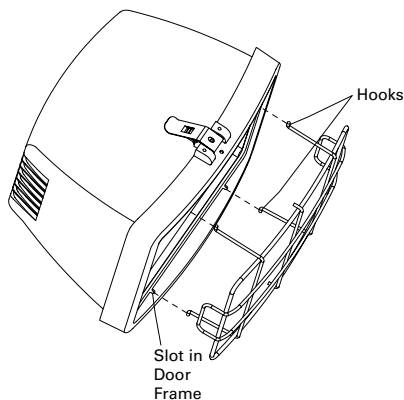
TOP VISOR
ILLUSTRATION 11

Locate top visor and install (2) 8-32 screws provided. Tighten screws securely.



VANDAL SHIELD
ILLUSTRATION 12

Locate vandal shield and install (3) 8-32 screws provided. Tighten screws securely.



WIRE GUARD
ILLUSTRATION 13

Locate (2) wire guard hooks into slots in door frame. Apply pressure to (2) opposite hooks and rotate wire guard into position. Release hooks insuring secure engagement to door frame.

These instructions do not claim to cover all details or variations in the equipment, procedure, or process described, nor to provide directions for meeting every possible contingency during installation, operation or maintenance. When additional information is desired to satisfy a problem not covered sufficiently for user's purpose, please contact your nearest representative.



NOTE: FOR USE ONLY WHEN INSTALLING CAT. NO. PE/MT PHOTOELECTRIC CONTROL

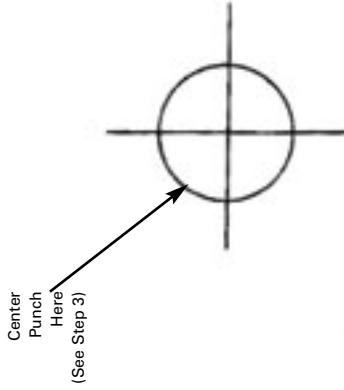
WARNING: Risk of Electric Shock. Disconnect power at fuse or circuit breaker before using this template.

1/26/05

IMI-623

Instructions:

1. Use scissors to carefully cut this template from this sheet.
2. Open luminaire door, rotate latch forward and align this template on top surface of luminaire.
3. Place center punch at target point and proceed to center punch the top surface of the luminaire.
4. Remove template and any electrical components and/or wiring located in the areas inside the luminaire where the hole is to be drilled.
5. Drill a 27/32 (.843) inch diameter hole at center punch location. Use several smaller drills first or use a step drill for this process.
6. **Remove all burrs at hole both inside and outside of luminaire. Remove all metal chips from inside of luminaire.**
7. Install Cat. No. PE/MT using instruction sheet provided with the Photoelectric Control.



WARNING: Risk of fire and/or electric shock. Failure to follow the above instructions may result in personal injury and/or property damage.

These instructions do not claim to cover all details or variations in the equipment, procedure, or process described, nor to provide directions for meeting every possible contingency during installation, operation or maintenance. When additional information is desired to satisfy a problem not covered sufficiently for user's purpose, please contact your nearest representative.