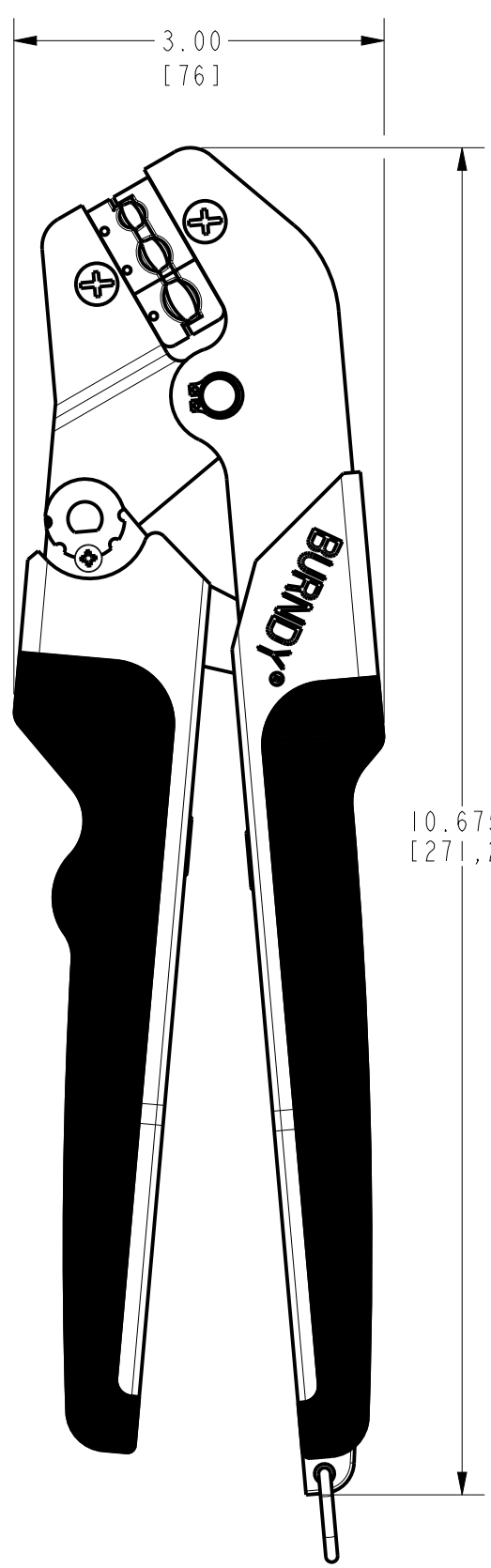


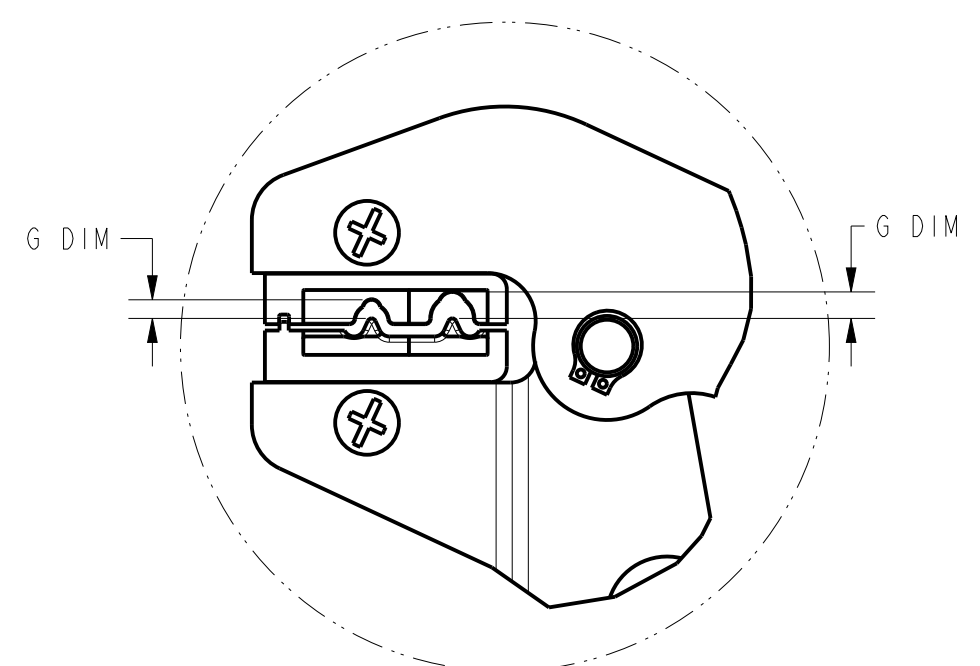
ACCOMMODATED CONNECTORS	
MRE1022B UNINSULATED TERMINALS AND SPLICES	
TERMINALS:	SPLICES:
T- (YAD-)	YSV-
TF- (YAD-F)	YSV-H
YAV-	
YAV-H	
YAV-R	
YAV-T-F	
YAV-H-F	
YAV-Z	
MRE1022NV NYLON / VINYL INSULATED TERMINALS AND SPLICES	
TERMINALS	SPLICES:
TP- (BA-)	SP- (BS-)
TP-F (BA-EF)	SNM- (YSES-)
TP-Z (BA-EZ)	YSE-HN
TP-LF (BA-EL)	YSE-H
TN- (YAES-)	QN-F-
TN-F (YAES-F)	QN-M-
YAE-N-	QP-F-
YAE-N-F	QP-M-
YAE-Z	
YAEV-	

G-DIMENSIONS AND INSPECTION GAGES			
TOOL CAT. NO.	DIE GROOVE	G-DIM	GAGE CAT. NO.
MRE1022B	#22-#14	.055 [1] .073 [2]	PG-403-2R
	#12-#10	.100 [3] .110 [3]	PG-403-1R
MRE1022NV	#22-#18 (RED)	.084 [2] .092 [2]	PG-406-1
	#16-#14 (BLUE)	.102 [3] .112 [3]	PG-407-1
	#12-#10 (YELLOW)	.131 [3] .141 [4]	PG-408-1

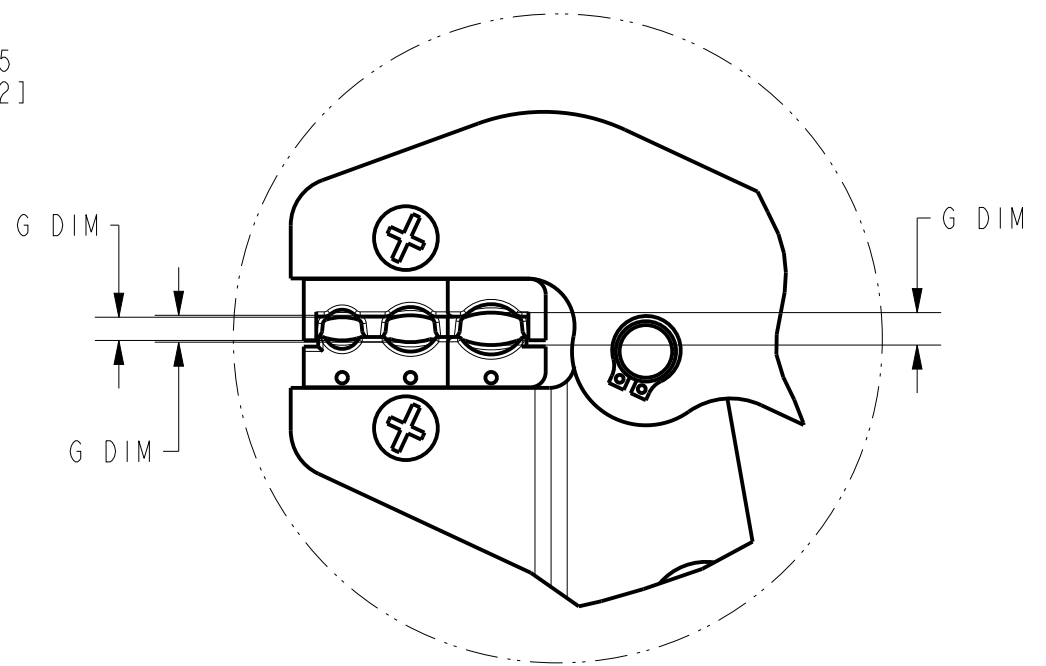


MRE1022NV SHOWN
SCALE 3:4

REV.	DATE	DESCRIPTION	ECO	BY	C'H'K.
E	11/06/2014 00:00:00 AM	DRAWING RELEASED	38285	TRF	PW



MRE1022B
DIE DETAIL
SCALE 1:1



MRE1022NV
DIE DETAIL
SCALE 1:1

- NOTES:
- MATERIAL: FRAME: STEEL
HANDLES: OVERMOLDED RUBBER
DIES: STAINLESS STEEL
 - DIES PROVIDE CONDUCTOR CRIMP ONLY ON THESE CONNECTOR FAMILIES.
 - LONG HANDLES AND TEXTURED OVERMOLDED GRIPS PROVIDE LOWER HANDLE FORCE AND INCREASE ERGONOMICS.
 - PRODUCT WEIGHT: 1.3 LB (0.6 KG)
 - CATALOG NUMBERS MRE1022B AND MRE1022NV BOTH HAVE A FIVE-YEAR LIMITED WARRANTY.
 - DIMENSIONS IN BRACKETS [] ARE IN MILLIMETERS ROUNDED TO THE NEAREST MILLIMETER AND ARE FOR REFERENCE ONLY.
 - TERMINALS AND SPLICES SHOWN IN "ACCOMMODATED CONNECTORS" TABLE, WHEN USED WITH APPROPRIATE WIRE SIZE (SEE "G-DIMENSION AND INSPECTION GAGES") ARE UL LISTED PER UL486A/B.

TO ORDER BURNDY® PRODUCTS CALL		ERGONOMIC RATCHET HAND TOOL	
UNITED STATES: 1-800-346-4175 (LONDONDERRY, NH)		ITEM NO: 30004896, 30004897	
CANADA: 1-800-361-6975 (QUEBEC) 1-800-387-6487 (ALL OTHER PROVINCES)		CAT. NO: MRE1022B, MRE1022NV	
FOR PRODUCT INFO: http://www.burndy.com		DRAWN BY: R. MURUGESAN 03/24/2011	
		CHECKER: P. WASON 06/25/2013	
		DSN APPVL: M. RZASA 05/07/2013	
		MFG APPVL: --	
		QA APPVL: J. BRODEUR 05/13/2013	
		MKT APPVL: M. RZASA 05/07/2013	
		PROD FAM: Tools_Mechanical/Hand Tools	
		PROJECT #: --	
		DOCUMENT TYPE: Sales	
		REL LEVEL: Released	
		SCALE: 1:2	
		DRAWING NO	
		30013557	
		SHEET 1 OF 1	
		REV	
		E	

REV: PE0200