

**Night Falcon**  
LED floodlight series

**Lumark**





## Simplifying the choice.

Designed for superior performance, versatility and value.

Whether the project is lighting a sign, building facade or parking lot, the Night Falcon™ LED floodlight series makes the choice easy. Combining value and performance in a robust design, the Night Falcon LED floodlight series offers two distributions that deliver superior uniformity and excellent illumination to the targeted application. With lumen packages ranging from 2,700 to 33,900 lumens, the Night Falcon LED floodlights are the ideal solution for replacing legacy metal halide solutions ranging from 70 to 1000 watts.

An innovative, thermal design extends the life of the LEDs and fixture resulting in 15 years of maintenance-free savings. Available in versatile mounting configurations, these fixtures are built with the installer in mind, providing design flexibility while simplifying installation.

Select stocked configurations are readily available to provide rapid response to LED floodlighting project requests.

The Night Falcon LED floodlight series delivers superior performance, long term reliability and significant energy savings, making the choice simple.



**NFFLD-S**  
[70-150W equivalent]



**NFFLD**  
[250-400W equivalent]



**NFFLD-L**  
[750-1000W equivalent]





## Design matters. Where innovation meets sustainability.

Combining the latest LED technology with forward thinking sustainability, the Night Falcon LED floodlight series is lighting the way with a spotlight on superior performance.

### **Superior, affordable performance**

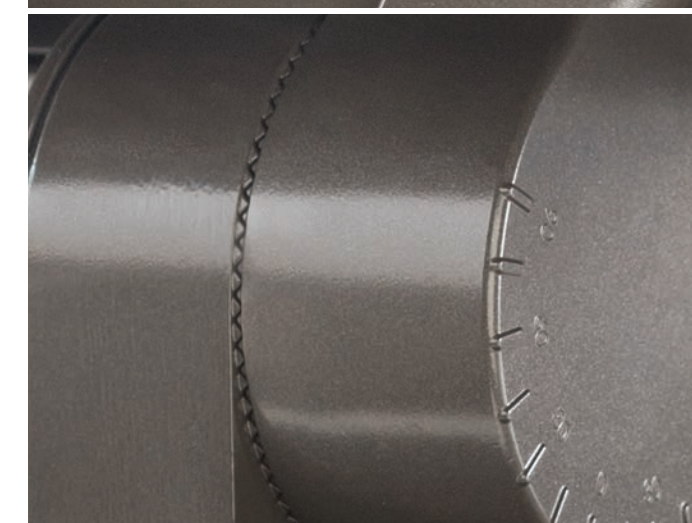
The Night Falcon LED floodlights combine high-efficiency, precision engineered optics and energy efficiency in a cost-effective solution. Available in three housing sizes, the Night Falcon LED floodlights were designed to provide greater than 75 percent in energy and maintenance savings over traditional HID systems. Optimal fixture spacing and setback is achieved utilizing a NEMA 3H x 3V spot or 6H x 6V wide flood distribution. Whether the project is lighting a large site or building facade for a low initial investment, the Night Falcon LED floodlight series is the solution.

### **Long term reliability**

Innovative thermal management design maximizes heat dissipation resulting in longer fixture and LED life. The rugged, die-cast housings are IP66 and 3G vibration rated for exceptional durability and long term reliability. With lumen maintenance greater than 92 percent at 60,000 hours, the Night Falcon LED floodlights are built for years of maintenance-free service.

### **Mount. Aim. Done.**

Cooper Lighting Solutions' Night Falcon LED floodlights are designed to meet the most challenging installations. Available in trunnion, knuckle, slipfitter and yoke mounting configurations, these fixtures were designed to be installed by a single person and to provide design flexibility while simplifying installation. Adjustable mounting options include cast-in angle measurements to facilitate aiming accuracy.







## Night Falcon Small

Building facade, landscape and site signage



# Night Falcon Small

## Performance summary

**Distributions:** 3H x 3V Spot / 6H x 6V Wide  
**Lumens:** 2,799 - 2,935 / 2,632 - 2,760  
**Wattage:** 26W / 20W (70-150W equivalent)  
**Efficacy:** Up to 138 lm/W  
**CRI/CCT:** 70/4000K (Standard), 70/3000K, 70/5000K (Optional)

## Electrical data (Electronic LED driver)

**Power Factor:** >0.9  
**Total Harmonic Distortion:** <20%  
**Minimum Temperature:** -40°C  
**Ambient Temperature Rating:** 40°C  
**Operation:** 120-277V 50/60Hz, 347V 60Hz, 480V 60Hz  
**Controls:** 0-10V, NEMA 3-PIN / 7-PIN photocontrol receptacle, 120V or 208/277V button photocontrol  
**Surge Protection:** 3kV surge protection inherent in driver, 10kV MOV surge protection optional

## Additional information

**Warranty:** 5 year  
**Vibration Tested:** 1.5G (Knuckle / Slipfitter), 3G (Trunnion)  
**UL/cUL Listed:** Wet location  
**IP66 Rated:** Yes (Fixture and optical chamber)  
**LM79/LM80:** Compliant  
**RoHS:** Compliant  
**EPA:** 0.55  
**Approximate Net Weight:** 13 lbs. (6 kgs.)

## Energy and maintenance savings

**Annual savings:** 83% (Compared to 150W metal halide)

NOTE: Product specifications subject to change without notice. Visit [www.cooperlighting.com](http://www.cooperlighting.com) to find the most up to date information.

## Options and accessories



Button photocontrol



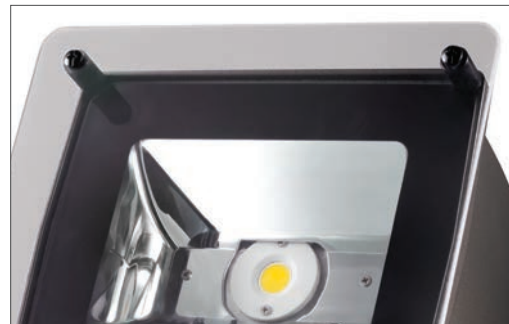
NEMA photocontrol receptacle



Top and side visor



Wire guard



Vandal shield



Spot optic



Knuckle mount  
(1/2" NPT)



Trunnion mount



Slipfitter mount  
(2" pipe or 2-3/8" O.D. tenon)





## Night Falcon

Facade, flagpoles, monuments and large signage



# Night Falcon

## Performance summary

**Distributions:** 3H x 3V Spot / 6H x 6V Wide  
**Lumens:** 10,122 - 10,530 / 9,874 - 10,272  
**Wattage:** 85W / 128W (250-400W equivalent)  
**Efficacy:** Up to 119 lm/W  
**CRI/CCT:** 70/4000K (Standard), 70/3000K, 70/5000K (Optional)

## Electrical data (Electronic LED driver)

**Power Factor:** >0.9  
**Total Harmonic Distortion:** <20%  
**Minimum Temperature:** -40°C  
**Ambient Temperature Rating:** 40°C  
**Operation:** 120-277V 50/60Hz, 347V 60Hz, 480V 60Hz  
**Controls:** 0-10V, NEMA 3-PIN / 7-PIN photocontrol receptacle, Integrated sensor (Dimming and occupancy)  
**Surge Protection:** 6kV inherent in driver, 10kV/10kA UL 1449 protection optional

## Additional information

**Warranty:** 5 year  
**Vibration Tested:** 3G  
**UL/cUL Listed:** Wet location  
**IP66 Rated:** Yes (Fixture and optical chamber)  
**LM79/LM80:** Compliant  
**RoHS:** Compliant  
**EPA:** 1.25  
**Approximate Net Weight:** 20 lbs. (9.09 kgs.)

## Energy and maintenance savings

**Annual savings:** 75% (Compared to 400W metal halide)

NOTE: Product specifications subject to change without notice.  
 Visit [www.cooperlighting.com](http://www.cooperlighting.com) to find the most up to date information.

## Options and accessories



NEMA 3-PIN photocontrol receptacle



NEMA 7-PIN photocontrol receptacle



Integrated sensor



Top and side visor



Wire guard



Vandal shield



Slipfitter mount  
 (2" pipe or 2-3/8" O.D. tenon)

Trunnion mount





# Night Falcon Large

Parking lots, rail yards and storage sites

PHARMACY



# Night Falcon Large

## Performance summary

**Distributions:** 3H x 3V Spot / 6H x 6V Wide  
**Lumens:** 24,938 - 33,941 / 23,712 - 29,302  
**Wattage:** 179W / 256W (750-1000W equivalent)  
**Efficacy:** Up to 139 lm/W  
**CRI/CCT:** 70/4000K (Standard), 70/3000K, 70/5000K, 70/5700K (Optional)

## Electrical data (Electronic LED driver)

**Power Factor:** >0.9  
**Total Harmonic Distortion:** <20%  
**Minimum Temperature:** -40°C  
**Ambient Temperature Rating:** 40°C  
**Operation:** 120-277V 50/60Hz, 347V 60Hz, 480V 60Hz  
**Controls:** 0-10V, NEMA 3-PIN / 7-PIN photocontrol receptacle  
**Surge Protection:** 6kV surge integrated in driver, 10kV / 10kA UL 1449 surge protection optional

## Additional information

**Warranty:** 5 year  
**Vibration Tested:** 3G  
**UL/cUL Listed:** Wet location  
**IP66 Rated:** Yes (Fixture and optical chamber)  
**LM79/LM80:** Compliant  
**RoHS:** Compliant  
**EPA:** 2.5  
**Approximate Net Weight:** 48 lbs. (22 kgs.)

## Energy and maintenance savings

**Annual savings:** 79% (Compared to 1000W metal halide)

NOTE: Product specifications subject to change without notice. Visit [www.cooperlighting.com](http://www.cooperlighting.com) to find the most up to date information.

## Options and accessories



NEMA 3-PIN photocontrol receptacle



NEMA 7-PIN photocontrol receptacle



Top and side visor



Wire guard



Vandal shield



Slipfitter mount  
(2" pipe or 2-3/8" O.D. tenon)



Yoke mount



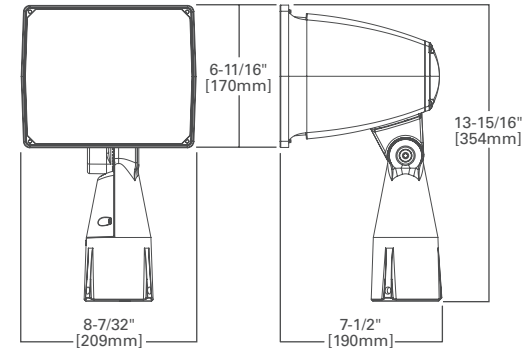
Trunnion mount



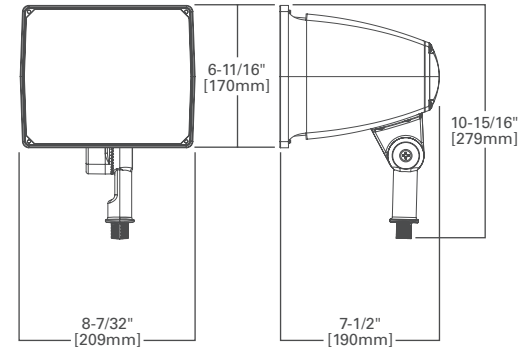
# Dimensions

## Night Falcon Small

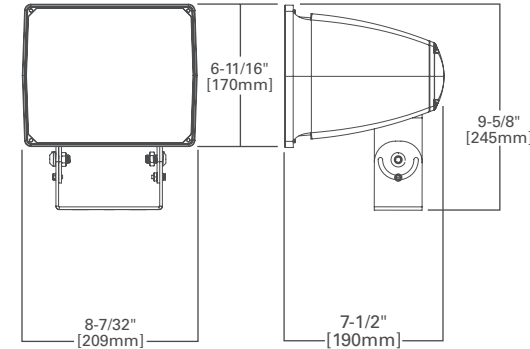
### Slipfitter mount



### Knuckle mount

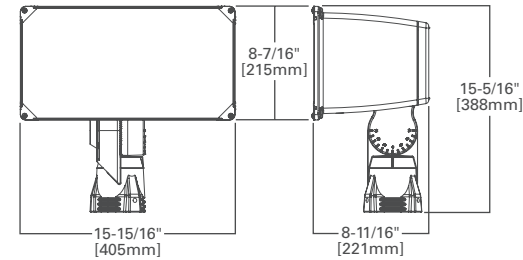


### Yoke mount

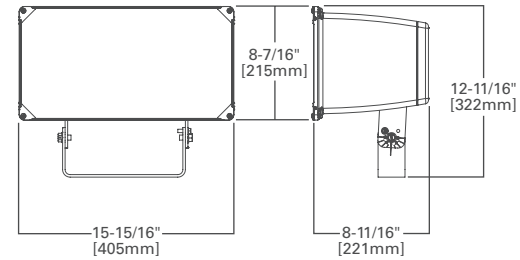


## Night Falcon

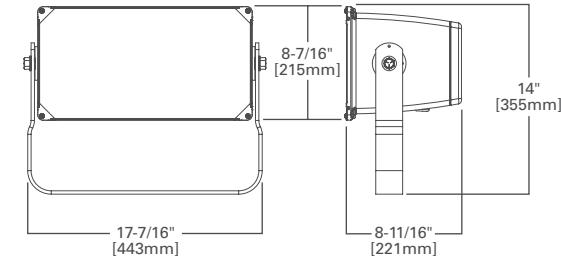
### Slipfitter mount



### Trunnion mount

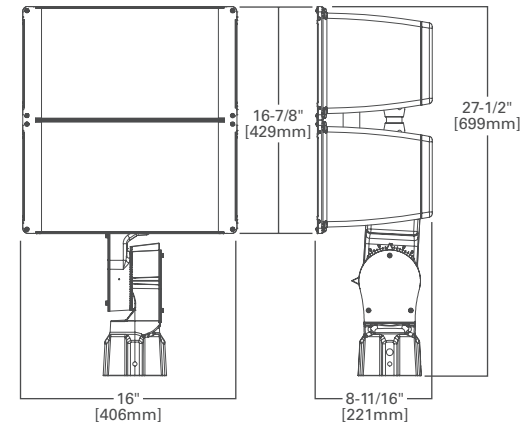


### Yoke Mount

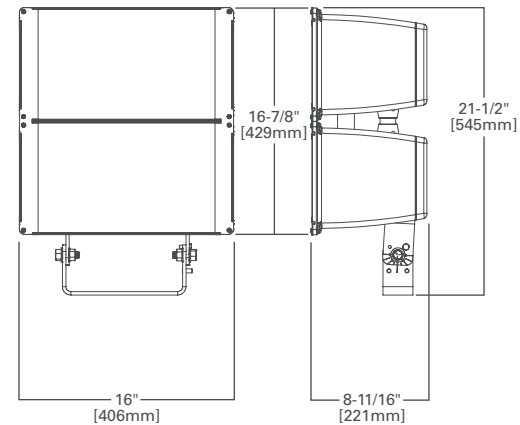


## Night Falcon Large

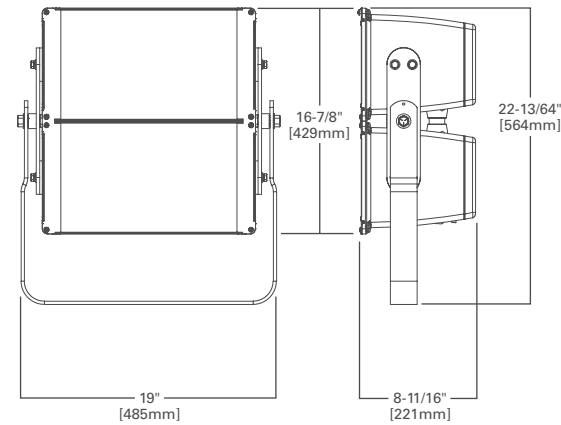
### Slipfitter mount



### Trunnion mount



### Yoke mount

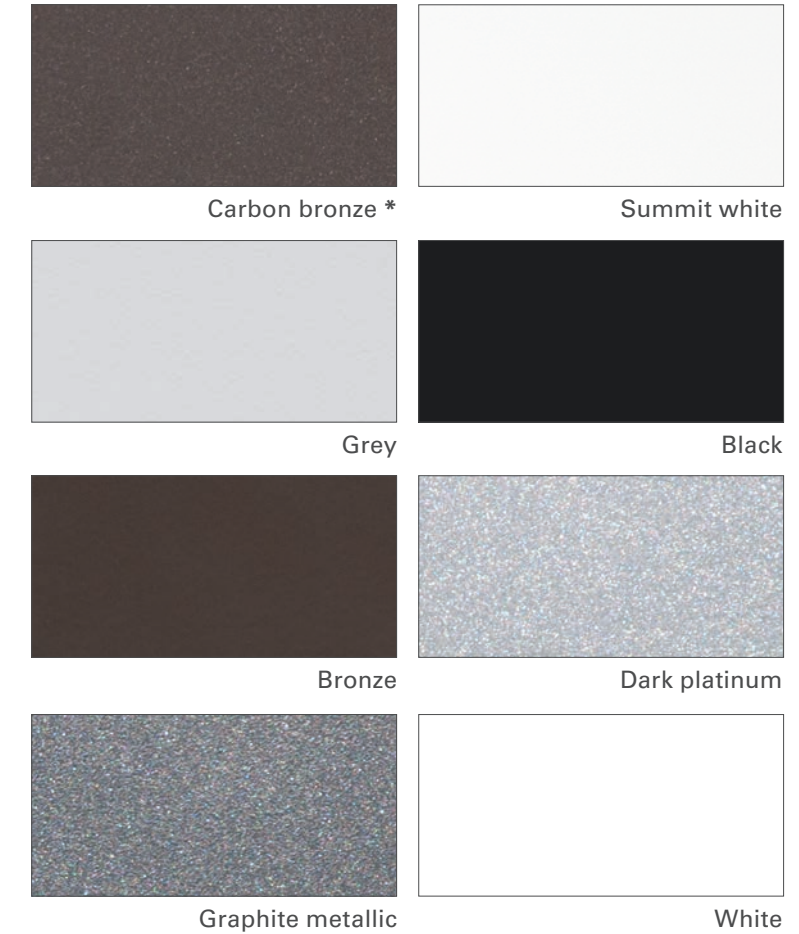


# Finish selection

Five-stage super TGIC paint resists extreme weather conditions, while providing optimal color and gloss retention.

Cooper Lighting Solutions utilizes premium ultra-weatherable TGIC based polyester powder coatings that are specifically formulated to withstand extended outdoor exposure. The powders are formulated exclusively for Cooper Lighting Solutions to serve functionally as well as decorative. Good film appearance combined with excellent mechanical and exterior exposure qualities display greater than twice as much gloss retention. Finish is compliant with ASTM B117 3000hr salt spray standard. RAL and custom color matches available.

Product specifications subject to change without notice. Visit [www.cooperlighting.com](http://www.cooperlighting.com) to find the most up to date information.



\* Carbon bronze is standard on stock configurations. Colors and textures have been matched as close as possible. Paper and ink limitations, as well as the influence of heat and light, account for differences from actual coatings. To aid in final product selection, please contact your local product representative.



### Lighting Brands

Ametrix  
AtLite  
Corelite  
Ephesus  
Fail-Safe  
Halo  
Halo Commercial  
Invue  
io  
Iris  
Lumark  
Lumière  
McGraw-Edison  
Metalux  
MWS  
Neo-Ray  
Portfolio  
RSA  
Shaper  
Streetworks  
Sure-Lites

### Controls Brands

Greengate  
Fifth Light

### Connected Lighting Systems

HALO Home  
WaveLinx

### IoT Platforms

Trellix

#### Cooper Lighting Solutions

1121 Highway 74 South  
Peachtree City, GA 30269  
P: 770-486-4800  
[www.cooperlighting.com](http://www.cooperlighting.com)

Canada Sales  
5925 McLaughlin Road  
Mississauga, Ontario L5R 1B8  
P: 905-501-3000  
F: 905-501-3172

© 2021 Cooper Lighting Solutions  
All Rights Reserved  
Printed in USA  
Publication No. BR506002EN  
February 2021

Cooper Lighting Solutions is a registered trademark.

All other trademarks are property of their respective owners.

Product availability, specifications, and compliances are subject to change without notice.

