

NetKey® Category 5e Punchdown Jack Modules

specifications

Category 5e/Class D 8-position, industry standard keystone jack module terminates 4-pair, 22 – 26 AWG, 100 ohm unshielded pair cable. Jack module uses a punchdown tool to properly and securely terminate each conductor for optimum performance. The jack module contains a color coded label for T568A and T568B wiring schemes. A retention cap provides additional strain relief.



technical information

Category 5e/Class D performance:	Exceeds ANSI/TIA-568.2-D Category 5e and ISO 11801 Class D channel requirements at swept frequencies up to 100 MHz Exceeds ANSI/TIA-568.2-D Category 5e and ISO 11801 Class D component requirements at swept frequencies up to 100 MHz
FCC and ANSI compliance:	Meets ANSI/TIA-1096-A; contacts plated with 50 microinches of gold for superior performance
IEC compliance:	Meets IEC 60603-7 and IEC 60512-99-002
PoE and PoH compliance:	Meets IEEE 802.3af/802.3at and 802.3bt type 3 and type 4 Supports Power over HDBaseT up to 100 watts
c(UL)us Listed:	UL 1863 (Use as communications circuit accessory); CSA standard C22.2 UL 2043 (Suitable for use in air-handling spaces)
RoHS compliance:	Compliant
Operating temperature:	-10°C to 75°C (14°F to 167°F)

key features and benefits

100% performance tested:	Confidence that each jack module delivers specified performance
110 style punchdown termination:	Utilizes industry standard termination style and includes wire retention cap
Modular:	Universal keystone jack modules snap in and out of all NetKey Faceplates, Modular Patch Panels, and Surface Mount Boxes for fast moves, adds, and changes
Individually serialized:	Marked with quality control number for future traceability
Bulk packaging (optional):	25 jacks packaged in one easy to open container, eliminating the time to open each individual package and reducing on-site waste; ideal for high volume installations

applications

Applications include:

- Ethernet 10BASE-T, 100BASE-T (Fast Ethernet), and 1000BASE-T (Gigabit Ethernet)
- Voice over Internet Protocol (VoIP)

NetKey Jack Modules

Module:	NKP5E88M*
Bulk pack of 25 modules:	NKP5E88M*-Q
Termination and Cable Prep Tools	
Punchdown tool:	PDT110‡
Punchdown base:	NKSPB
JackRapid+ Termination Tool:	JR-PAN-2‡‡
Cable snipping tool:	CWST
Cable stripping tool:	CJAST
Replacement retention caps:	DRWCIW-24

*To designate a color, add suffix IW (Off White), EI (Electric Ivory), IG (International Gray), WH (White), BL (Black), OR (Orange), RD (Red), BU (Blue), GR (Green), AW (Arctic White), VL (Violet), or YL (Yellow).

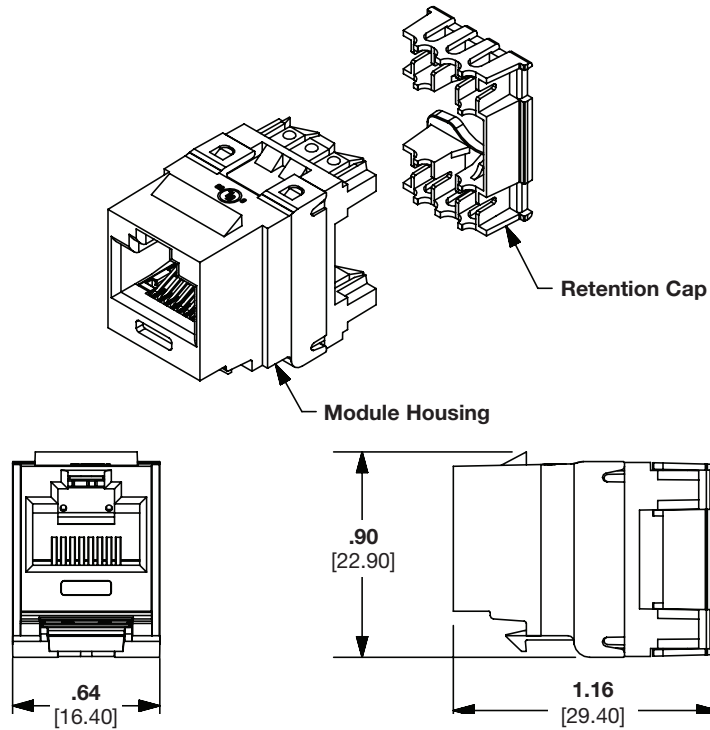
‡Terminates the NetKey Keystone Punchdown Jack Module and NetKey Patch Panel.

‡‡Terminates the NetKey Keystone Punchdown Jack Module. Fluke JackRapid Termination Tool available through distribution.

To locate the local office, visit:
www.flukenetworks.com/contact.

+JackRapid is a trademark of Fluke Networks.

NetKey® Category 5e Punchdown Jack Modules



Dimensions are in inches. [Dimensions in brackets are metric].

WORLDWIDE SUBSIDIARIES AND SALES OFFICES

PANDUIT US/CANADA
Phone: 800.777.3300

PANDUIT EUROPE LTD.
London, UK
Phone: 44.20.8601.7200

PANDUIT SINGAPORE PTE. LTD.
Republic of Singapore
Phone: 65.6305.7575

PANDUIT JAPAN
Tokyo, Japan
Phone: 81.3.6863.6000

PANDUIT LATIN AMERICA
Guadalajara, Mexico
Phone: 52.33.3777.6000

PANDUIT AUSTRALIA PTY. LTD.
Victoria, Australia
Phone: 61.3.9794.9020

For a copy of Panduit product warranties, log on to www.panduit.com/warranty

PANDUIT®

For more information
Visit us at www.panduit.com
Contact Customer Service by email: cs@panduit.com
or by phone: 800.777.3300

© 2022 Panduit Corp.
ALL RIGHTS RESERVED.
NKDS34-WW-ENG
11/2022

NetKey® Category 5e Punchdown Jack Modules

specifications

Category 5e/Class D 8-position, industry standard keystone jack module terminates 4-pair, 22 – 26 AWG, 100 ohm unshielded pair cable. Jack module uses a punchdown tool to properly and securely terminate each conductor for optimum performance. The jack module contains a color coded label for T568A and T568B wiring schemes. A retention cap provides additional strain relief.



technical information

Category 5e/Class D performance:	Exceeds ANSI/TIA-568.2-D Category 5e and ISO 11801 Class D channel requirements at swept frequencies up to 100 MHz Exceeds ANSI/TIA-568.2-D Category 5e and ISO 11801 Class D component requirements at swept frequencies up to 100 MHz
FCC and ANSI compliance:	Meets ANSI/TIA-1096-A; contacts plated with 50 microinches of gold for superior performance
IEC compliance:	Meets IEC 60603-7 and IEC 60512-99-002
PoE and PoH compliance:	Meets IEEE 802.3af/802.3at and 802.3bt type 3 and type 4 Supports Power over HDBaseT up to 100 watts
c(UL)us Listed:	UL 1863 (Use as communications circuit accessory); CSA standard C22.2 UL 2043 (Suitable for use in air-handling spaces)
RoHS compliance:	Compliant
Operating temperature:	-10°C to 75°C (14°F to 167°F)

key features and benefits

100% performance tested:	Confidence that each jack module delivers specified performance
110 style punchdown termination:	Utilizes industry standard termination style and includes wire retention cap
Modular:	Universal keystone jack modules snap in and out of all NetKey Faceplates, Modular Patch Panels, and Surface Mount Boxes for fast moves, adds, and changes
Individually serialized:	Marked with quality control number for future traceability
Bulk packaging (optional):	25 jacks packaged in one easy to open container, eliminating the time to open each individual package and reducing on-site waste; ideal for high volume installations

applications

Applications include:

- Ethernet 10BASE-T, 100BASE-T (Fast Ethernet), and 1000BASE-T (Gigabit Ethernet)
- Voice over Internet Protocol (VoIP)

NetKey Jack Modules

Module:	NKP5E88M*
Bulk pack of 25 modules:	NKP5E88M*-Q
Termination and Cable Prep Tools	
Punchdown tool:	PDT110‡
Punchdown base:	NKSPB
JackRapid+ Termination Tool:	JR-PAN-2‡‡
Cable snipping tool:	CWST
Cable stripping tool:	CJAST
Replacement retention caps:	DRWCIW-24

*To designate a color, add suffix IW (Off White), EI (Electric Ivory), IG (International Gray), WH (White), BL (Black), OR (Orange), RD (Red), BU (Blue), GR (Green), AW (Arctic White), VL (Violet), or YL (Yellow).

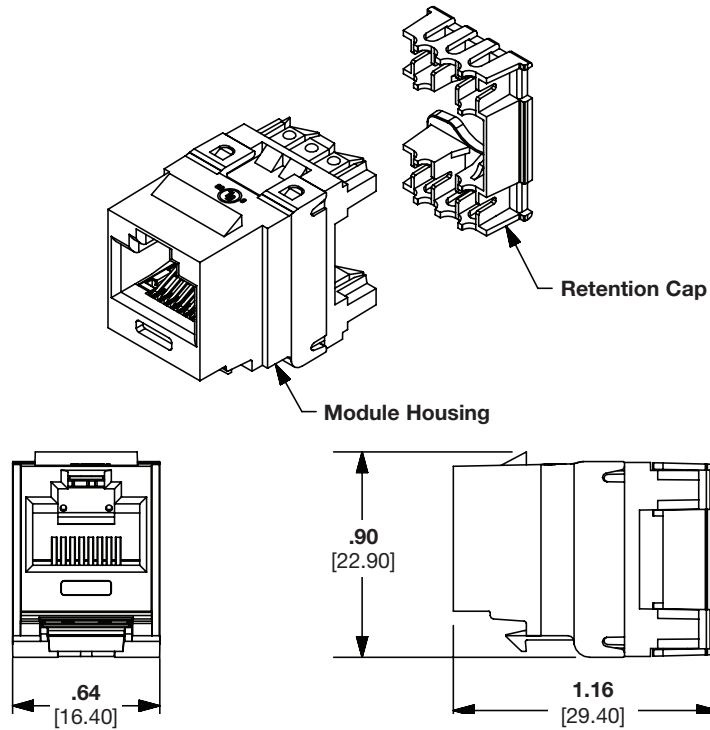
‡Terminates the NetKey Keystone Punchdown Jack Module and NetKey Patch Panel.

‡‡Terminates the NetKey Keystone Punchdown Jack Module. Fluke JackRapid Termination Tool available through distribution.

To locate the local office, visit:
www.flukenetworks.com/contact.

+JackRapid is a trademark of Fluke Networks.

NetKey® Category 5e Punchdown Jack Modules



Dimensions are in inches. [Dimensions in brackets are metric].

WORLDWIDE SUBSIDIARIES AND SALES OFFICES

PANDUIT US/CANADA
Phone: 800.777.3300

PANDUIT EUROPE LTD.
London, UK
Phone: 44.20.8601.7200

PANDUIT SINGAPORE PTE. LTD.
Republic of Singapore
Phone: 65.6305.7575

PANDUIT JAPAN
Tokyo, Japan
Phone: 81.3.6863.6000

PANDUIT LATIN AMERICA
Guadalajara, Mexico
Phone: 52.33.3777.6000

PANDUIT AUSTRALIA PTY. LTD.
Victoria, Australia
Phone: 61.3.9794.9020

For a copy of Panduit product warranties, log on to www.panduit.com/warranty

PANDUIT®

For more information
Visit us at www.panduit.com
Contact Customer Service by email: cs@panduit.com
or by phone: 800.777.3300

© 2022 Panduit Corp.
ALL RIGHTS RESERVED.
NKDS34-WW-ENG
11/2022