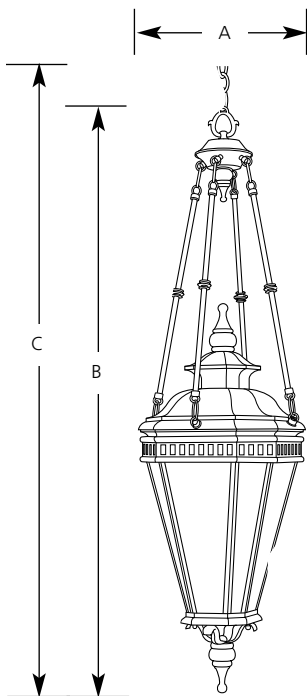


Type _____
 -71 -86
 P5521

Catalog No.	Finish		Lamping	Dimensions (Inches)		
	Gilded Iron	Burnished Chestnut		A	B	C
P5521	-71	-86	4 (c) 60w	12	47	85



Specifications:

General

- Hand-painted finishes
- Opaque white art glass with -71 finish
- Water seedy glass with -86 finish
- All cast aluminum components
- Hinged door for relamping
- Includes 3 feet of matching 9 gauge chain
- Companion fixtures: Post top and wall mount lanterns

Mounting

- Chain mount
- Canopy - 5"

Electrical

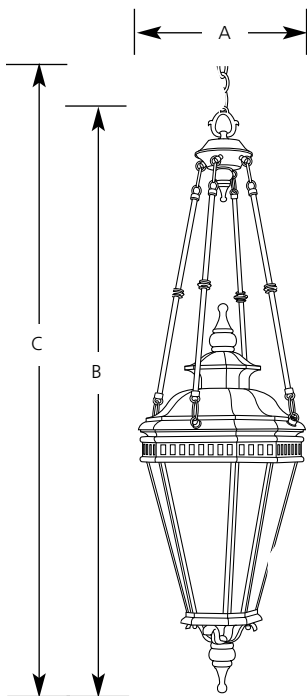
- 10' of wire
- Candelabra sockets
- Pre-wired

Labeling

- UL-CUL damp location listed

Type _____
 -71 -86
 P5521

Catalog No.	Finish		Lamping	Dimensions (Inches)		
	Gilded Iron	Burnished Chestnut		A	B	C
P5521	-71	-86	4 (c) 60w	12	47	85



Specifications:

General

- Hand-painted finishes
- Opaque white art glass with -71 finish
- Water seedy glass with -86 finish
- All cast aluminum components
- Hinged door for relamping
- Includes 3 feet of matching 9 gauge chain
- Companion fixtures: Post top and wall mount lanterns

Mounting

- Chain mount
- Canopy - 5"

Electrical

- 10' of wire
- Candelabra sockets
- Pre-wired

Labeling

- UL-CUL damp location listed