

LBY Series Service Entrance Elbows for Hazardous Locations

Description:

Plasti-Bond REDH₂OT LBY type elbows are used as service entrance elbows between service entrance and vertical weatherhead conduit runs, to change direction of a conduit run 90° when space is limited, and for pull outlets. They may be used for general service or hazardous locations.

Features:

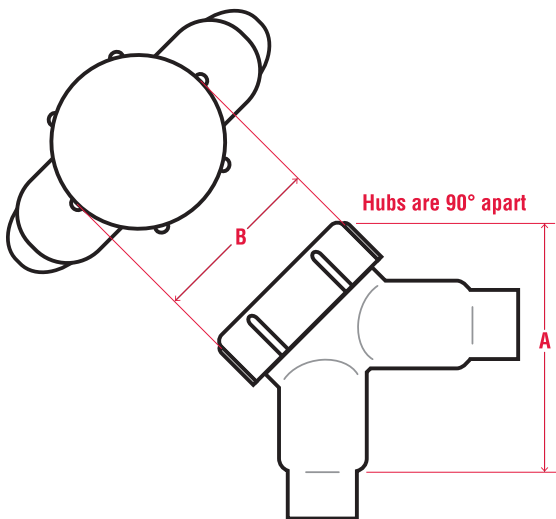
- 40 mil gray PVC exterior coating
- 2 mil red urethane interior coating
- 5 trade sizes from 1/2" through 1-1/2"
- Sealing sleeves on all conduit openings
- Molded PVC gasket seals fitting cover to body

Standards:

Series PRLBY15 through PRLBY55

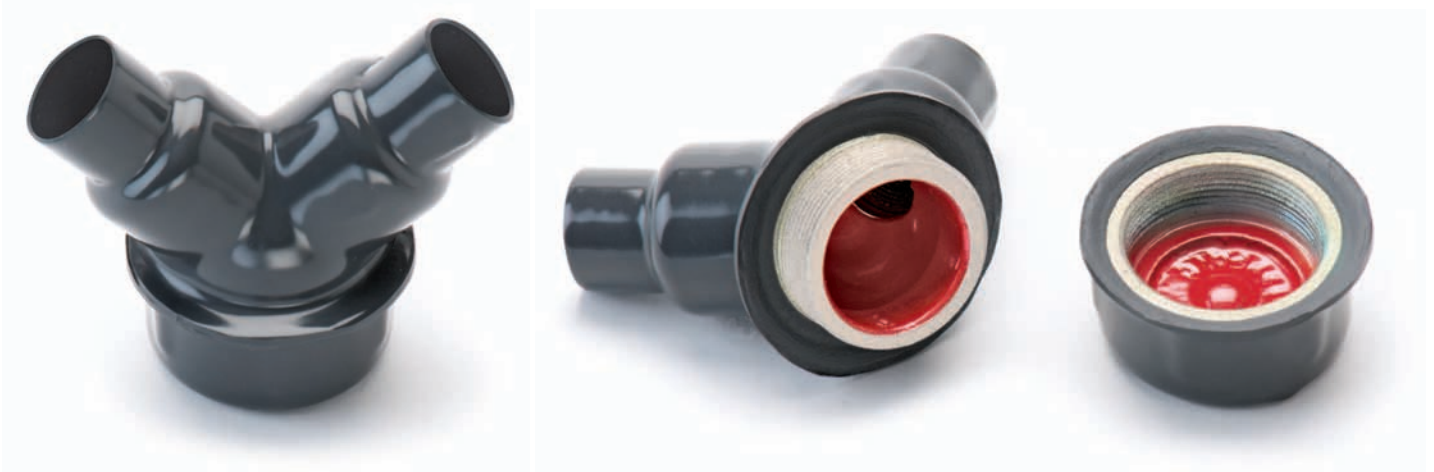
- NEC/CEC
 - Class I, Division 1 & 2, Groups C, D
 - Class II, Division 1, Groups E, F, G
 - Class II, Division 2, Groups F, G
 - Class III

LBY Series Technical Data



LBY SERIES – FOR HAZARDOUS LOCATIONS

| PIPE SIZE | FERROUS CATALOG # | A | B | NOMINAL WEIGHT | ALUMINUM CATALOG # |
|-----------|-------------------|------|------|----------------|--------------------|
| 1/2" | PRLBY15 | 2.81 | 2.08 | 1.0 | PRLBY15SA |
| 3/4" | PRLBY25 | 3.19 | 2.33 | 1.2 | PRLBY25SA |
| 1" | PRLBY35 | 3.25 | 2.58 | 1.7 | PRLBY35SA |
| 1-1/4" | PRLBY45 | 3.78 | 3.02 | 2.5 | PRLBY45SA |
| 1-1/2" | PRLBY55 | 4.50 | 3.46 | 2.7 | PRLBY55SA |



LBY Series Service Entrance Elbows for Hazardous Locations

Description:

Plasti-Bond REDH₂OT LBY type elbows are used as service entrance elbows between service entrance and vertical weatherhead conduit runs, to change direction of a conduit run 90° when space is limited, and for pull outlets. They may be used for general service or hazardous locations.

Features:

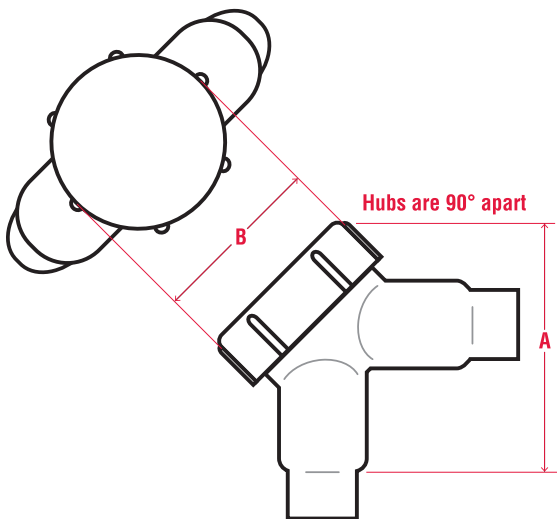
- 40 mil gray PVC exterior coating
- 2 mil red urethane interior coating
- 5 trade sizes from 1/2" through 1-1/2"
- Sealing sleeves on all conduit openings
- Molded PVC gasket seals fitting cover to body

Standards:

Series PRLBY15 through PRLBY55

- NEC/CEC
 - Class I, Division 1 & 2, Groups C, D
 - Class II, Division 1, Groups E, F, G
 - Class II, Division 2, Groups F, G
 - Class III

LBY Series Technical Data



LBY SERIES – FOR HAZARDOUS LOCATIONS

| PIPE SIZE | FERROUS CATALOG # | A | B | NOMINAL WEIGHT | ALUMINUM CATALOG # |
|-----------|-------------------|------|------|----------------|--------------------|
| 1/2" | PRLBY15 | 2.81 | 2.08 | 1.0 | PRLBY15SA |
| 3/4" | PRLBY25 | 3.19 | 2.33 | 1.2 | PRLBY25SA |
| 1" | PRLBY35 | 3.25 | 2.58 | 1.7 | PRLBY35SA |
| 1-1/4" | PRLBY45 | 3.78 | 3.02 | 2.5 | PRLBY45SA |
| 1-1/2" | PRLBY55 | 4.50 | 3.46 | 2.7 | PRLBY55SA |