

FIGURE A

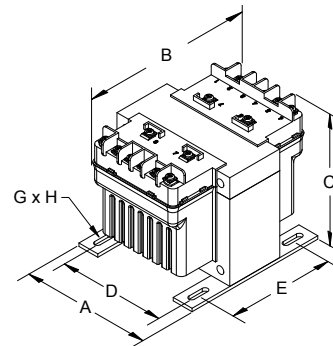



FIGURE B

Group A

Primary Voltage: **600** || 575 || 550  **60 Hertz**
 Secondary Voltage: **120 X 240** || 115 X 230 || 110 X 220

VA Rating	Catalog Number	Mtg. Fig.	Output Amps	Overall Dimensions			Mounting Centers		Mounting Slot G X H	Height with Finger Guard	Depth with Finger Guard	Approx. Ship Weight Lbs.	Optional Primary Fuse Kit P/N	Optional Unfused and Fused Finger Guard Kit P/N
				A	B	C	D	E						
50	PH50AJ	A	0.42/0.21	3.00	3.81	3.19	2.50	2.25	0.22 x 0.44	4.00	5.25	2.70	PFK1	FG1*/FGF1
75	PH75AJ	A	0.63/0.31	3.25	3.69	3.56	2.63	2.50	0.22 x 0.44	4.37	5.13	2.80	PFK1	FG2*/FGF2
100	PH100AJ	A	0.83/0.42	3.25	4.06	3.63	2.63	2.63	0.22 x 0.44	4.44	5.50	4.10	PFK1	FG2*/FGF2
150	PH150AJ	B	1.25/0.63	4.00	4.63	3.81	3.38	2.75	0.22 x 0.75	4.50	6.13	4.90	PFK2	FG3
250	PH250AJ	B	2.08/1.04	4.50	5.25	3.81	3.75	3.13	0.22 x 0.75	4.50	6.75	6.97	PFK2	FG3
350	PH350AJ	B	2.92/1.46	4.50	4.88	4.44	3.75	3.75	0.22 x 0.75	5.18	6.38	8.30	PFK3	FG4
500	PH500AJ	B	4.17/2.08	4.75	5.56	4.31	4.06	3.44	0.31 x 0.94	5.13	7.06	11.6	PFK3	FG4
750	PH750AJ	B	6.25/3.13	5.13	6.38	4.31	4.38	4.00	0.31 x 0.81	5.13	8.13	16.6	PFK3	FG4
1000	PH1000AJ	B	8.33/4.17	5.25	6.50	4.94	4.50	4.09	0.31 x 0.81	5.56	8.00	21.0	PFK3	FG5
1500	PH1500AJ	B	12.5/6.25	5.25	7.56	4.94	4.50	5.44	0.38 x 1.00	5.56	9.06	30.0	PFK3	FG5

Secondary fuse clips, fuse clip mounting screws and primary and secondary voltage links/jumpers supplied standard with transformers. All dimensions in inches
 *Note: Unfused finger guard kits are marked with an asterisk, for more information refer to page 43.
 Refer to page 63 for wiring schematic drawing. Custom voltage and VA sizes available upon request.

Group B

Primary Voltage: **600** || 575 || 550  **60 Hertz**
 Secondary Voltage: **12 X 24** || 11.5 X 23 || 11 X 22

VA Rating	Catalog Number	Mtg. Fig.	Output Amps	Overall Dimensions			Mounting Centers		Mounting Slot G X H	Height with Finger Guard	Depth with Finger Guard	Approx. Ship Weight Lbs.	Optional Primary Fuse Kit P/N	Optional Unfused and Fused Finger Guard Kit P/N
				A	B	C	D	E						
50	PH50AR	A	4.17/2.08	3.00	3.81	3.19	2.50	2.25	0.22 x 0.44	4.00	5.25	2.70	PFK1	FG1*/FGF1
75	PH75AR	A	6.25/3.13	3.25	3.69	3.56	2.63	2.50	0.22 x 0.44	4.37	5.13	2.80	PFK1	FG2*/FGF2
100	PH100AR	A	8.33/4.17	3.25	4.19	3.63	2.63	2.63	0.22 x 0.44	4.50	5.63	4.50	PFK1	FG2*/FGF2
150	PH150AR	B	12.5/6.25	4.00	4.94	3.81	3.38	2.75	0.22 x 0.75	4.50	6.44	5.70	PFK2	FG3
250	PH250AR	B	20.8/10.4	4.50	5.44	3.81	3.75	3.13	0.22 x 0.75	4.50	6.94	7.50	PFK2	FG3
350	PH350AR	B	29.2/14.6	4.50	4.88	4.44	3.75	3.75	0.22 x 0.75	5.18	6.38	8.30	PFK3	FG4
500	PH500AR	B	41.7/20.8	4.75	5.56	4.31	4.06	3.44	0.31 x 0.94	5.13	7.06	11.6	PFK3	FG4

Secondary fuse clips, fuse clip mounting screws and primary and secondary voltage links/jumpers supplied with transformers. All dimensions in inches
 *Note: Unfused finger guard kits are marked with an asterisk, for more information refer to page 43.
 Refer to page 64 for wiring schematic drawing. Custom voltages and VA sizes available upon request.

Field Installed Fuse Kits

Standard Secondary Fuse Kits (Field Installed)

All HPS Imperator control transformers are supplied with standard secondary fuse kits which include: 13/32" x 1 1/2" midget/ type CC fuse clips, fuse clip mounting screws, primary and secondary voltage links and the PHAK1 instruction sheet (note: secondary fuse clips and fuse clip mounting screws are not supplied on the PH750PG, PH1000PG, PH750MLI, and PH1000MLI).

Optional Primary Fuse Kits (Field Installed)

All HPS Imperator series machine tool industrial control transformers up to and including 1500VA are available with the following optional primary fuse kits:

Kit Part Number	Applicable Transformer Part Number Suffix's	Applicable VA Sizes	Parts Included in Kit
PFK1	Refer to Specification Tables on Pages 36 to 41 for Optional Primary Fuse Kit P/N		4 fuse clips, 4 mtg. screws, PHAK1 instruction sheet
PFK2			4 fuse clips, 4 mtg. screws, PHAK1 instruction sheet
PFK3			4 fuse clips, 4 mtg. screws, PHAK1 instruction sheet
PFK4			4 fuse clips, 4 mtg. screws, 1 jumper, 1 finger guard, PHAK1 instruction sheet
PFK5			4 fuse clips, 4 mtg. screws, 1 jumper, 1 finger guard, PHAK1 instruction sheet
PFK6			4 fuse clips, 4 mtg. screws, 1 jumper wire, PHAK1 instruction sheet
PFK7			4 fuse clips, 4 mtg. screws, 1 jumper wire, PHAK1 instruction sheet

Note: Maximum allowable current rating on all primary and secondary fuse kits is 30 amps.

Factory Installed Fuse Kits

Factory Installed Primary and Secondary Fuse Kits

HPS now stocks some HPS Imperator series voltage groups with FACTORY INSTALLED primary and secondary fuse clips. To order, just add the suffix "-FK" to the end of the standard part number.

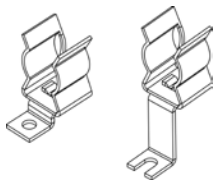
Factory installed fusing only available on units up to 1500VA. The voltage groups that are stocked are:

Group C (p/n: PH*MQMJ-FK) | Group G (p/n: PH***PG-FK) | Group I (p/n: PH***MLI-FK)**

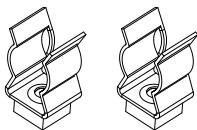
On PH750PG-FK, PH1000PG-FK, PH750MLI-FK, and PH1000MLI-FK, only primary fuse clips are included on factory installed units. Secondary fuse clips are not included or available on these units.

Other voltage groups available with factory installed fuse kits. Please contact your HPS sales or customer service representative for details.

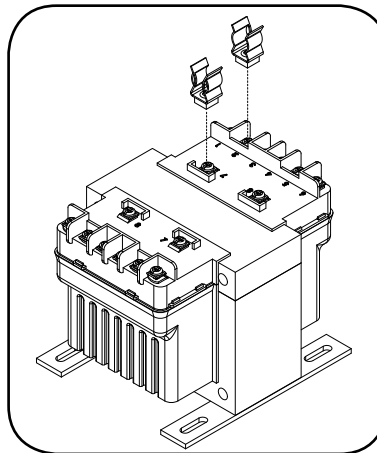
Note: All factory installed fuse kits are pre-wired at the transformers highest primary voltage and the lowest secondary voltage. To hook up at a different primary or secondary voltage, please refer to the wiring instruction sheet included with the transformer.



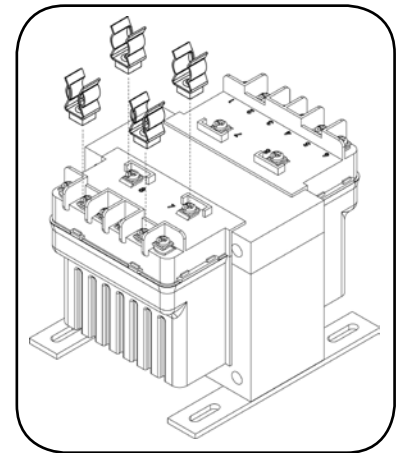
Sample Accessory Drawing for Fuse Clips
(for 50, 75 and 100VA)



Sample Accessory Drawing for Fuse Clips
(for 150VA to 1500VA)



Sample Assembly Drawing for Secondary Fuse Clip Installation
(For 150VA to 1500VA)



Sample Assembly Drawing for Primary Fuse Clip Installation
(For 150VA to 1500VA)

Note: HPS Imperator primary and secondary fuse kits are not suitable for branch circuit applications!

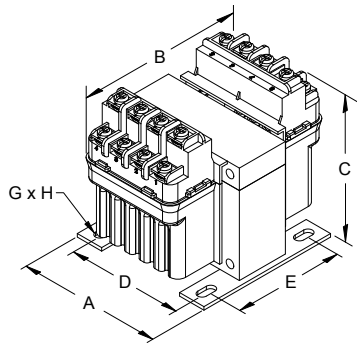


FIGURE A

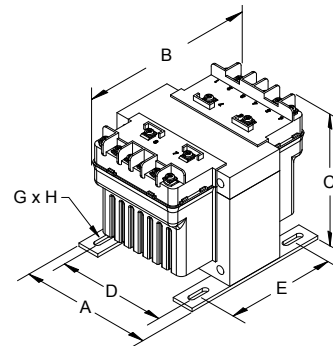


FIGURE B

Group A

Primary Voltage: **600** || 575 || 550
 Secondary Voltage: **120 X 240** || 115 X 230 || 110 X 220



60 Hertz

VA Rating	Catalog Number	Mtg. Fig.	Output Amps	Overall Dimensions			Mounting Centers		Mounting Slot	Height with Finger Guard	Depth with Finger Guard	Approx. Ship Weight Lbs.	Optional Primary Fuse Kit P/N	Optional Unfused and Fused Finger Guard Kit P/N
				A	B	C	D	E	G X H					
50	PH50AJ	A	0.42/0.21	3.00	3.81	3.19	2.50	2.25	0.22 x 0.44	4.00	5.25	2.70	PFK1	FG1*/FGF1
75	PH75AJ	A	0.63/0.31	3.25	3.69	3.56	2.63	2.50	0.22 x 0.44	4.37	5.13	2.80	PFK1	FG2*/FGF2
100	PH100AJ	A	0.83/0.42	3.25	4.06	3.63	2.63	2.63	0.22 x 0.44	4.44	5.50	4.10	PFK1	FG2*/FGF2
150	PH150AJ	B	1.25/0.63	4.00	4.63	3.81	3.38	2.75	0.22 x 0.75	4.50	6.13	4.90	PFK2	FG3
250	PH250AJ	B	2.08/1.04	4.50	5.25	3.81	3.75	3.13	0.22 x 0.75	4.50	6.75	6.97	PFK2	FG3
350	PH350AJ	B	2.92/1.46	4.50	4.88	4.44	3.75	3.75	0.22 x 0.75	5.18	6.38	8.30	PFK3	FG4
500	PH500AJ	B	4.17/2.08	4.75	5.56	4.31	4.06	3.44	0.31 x 0.94	5.13	7.06	11.6	PFK3	FG4
750	PH750AJ	B	6.25/3.13	5.13	6.38	4.31	4.38	4.00	0.31 x 0.81	5.13	8.13	16.6	PFK3	FG4
1000	PH1000AJ	B	8.33/4.17	5.25	6.50	4.94	4.50	4.09	0.31 x 0.81	5.56	8.00	21.0	PFK3	FG5
1500	PH1500AJ	B	12.5/6.25	5.25	7.56	4.94	4.50	5.44	0.38 x 1.00	5.56	9.06	30.0	PFK3	FG5

Secondary fuse clips, fuse clip mounting screws and primary and secondary voltage links/jumpers supplied standard with transformers. All dimensions in inches
 *Note: Unfused finger guard kits are marked with an asterisk, for more information refer to page 43.
 Refer to page 63 for wiring schematic drawing. Custom voltage and VA sizes available upon request.

Group B

Primary Voltage: **600** || 575 || 550
 Secondary Voltage: **12 X 24** || 11.5 X 23 || 11 X 22



60 Hertz

VA Rating	Catalog Number	Mtg. Fig.	Output Amps	Overall Dimensions			Mounting Centers		Mounting Slot	Height with Finger Guard	Depth with Finger Guard	Approx. Ship Weight Lbs.	Optional Primary Fuse Kit P/N	Optional Unfused and Fused Finger Guard Kit P/N
				A	B	C	D	E	G X H					
50	PH50AR	A	4.17/2.08	3.00	3.81	3.19	2.50	2.25	0.22 x 0.44	4.00	5.25	2.70	PFK1	FG1*/FGF1
75	PH75AR	A	6.25/3.13	3.25	3.69	3.56	2.63	2.50	0.22 x 0.44	4.37	5.13	2.80	PFK1	FG2*/FGF2
100	PH100AR	A	8.33/4.17	3.25	4.19	3.63	2.63	2.63	0.22 x 0.44	4.50	5.63	4.50	PFK1	FG2*/FGF2
150	PH150AR	B	12.5/6.25	4.00	4.94	3.81	3.38	2.75	0.22 x 0.75	4.50	6.44	5.70	PFK2	FG3
250	PH250AR	B	20.8/10.4	4.50	5.44	3.81	3.75	3.13	0.22 x 0.75	4.50	6.94	7.50	PFK2	FG3
350	PH350AR	B	29.2/14.6	4.50	4.88	4.44	3.75	3.75	0.22 x 0.75	5.18	6.38	8.30	PFK3	FG4
500	PH500AR	B	41.7/20.8	4.75	5.56	4.31	4.06	3.44	0.31 x 0.94	5.13	7.06	11.6	PFK3	FG4

Secondary fuse clips, fuse clip mounting screws and primary and secondary voltage links/jumpers supplied with transformers. All dimensions in inches
 *Note: Unfused finger guard kits are marked with an asterisk, for more information refer to page 43.
 Refer to page 64 for wiring schematic drawing. Custom voltages and VA sizes available upon request.

Field Installed Fuse Kits

Standard Secondary Fuse Kits (Field Installed)

All HPS Imperator control transformers are supplied with standard secondary fuse kits which include: 13/32" x 1 1/2" midget/ type CC fuse clips, fuse clip mounting screws, primary and secondary voltage links and the PHAK1 instruction sheet (note: secondary fuse clips and fuse clip mounting screws are not supplied on the PH750PG, PH1000PG, PH750MLI, and PH1000MLI).

Optional Primary Fuse Kits (Field Installed)

All HPS Imperator series machine tool industrial control transformers up to and including 1500VA are available with the following optional primary fuse kits:

Kit Part Number	Applicable Transformer Part Number Suffix's	Applicable VA Sizes	Parts Included in Kit
PFK1	Refer to Specification Tables on Pages 36 to 41 for Optional Primary Fuse Kit P/N		4 fuse clips, 4 mtg. screws, PHAK1 instruction sheet
PFK2			4 fuse clips, 4 mtg. screws, PHAK1 instruction sheet
PFK3			4 fuse clips, 4 mtg. screws, PHAK1 instruction sheet
PFK4			4 fuse clips, 4 mtg. screws, 1 jumper, 1 finger guard, PHAK1 instruction sheet
PFK5			4 fuse clips, 4 mtg. screws, 1 jumper, 1 finger guard, PHAK1 instruction sheet
PFK6			4 fuse clips, 4 mtg. screws, 1 jumper wire, PHAK1 instruction sheet
PFK7			4 fuse clips, 4 mtg. screws, 1 jumper wire, PHAK1 instruction sheet

Note: Maximum allowable current rating on all primary and secondary fuse kits is 30 amps.

Factory Installed Fuse Kits

Factory Installed Primary and Secondary Fuse Kits

HPS now stocks some HPS Imperator series voltage groups with FACTORY INSTALLED primary and secondary fuse clips. To order, just add the suffix "-FK" to the end of the standard part number.

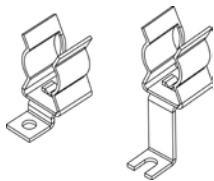
Factory installed fusing only available on units up to 1500VA. The voltage groups that are stocked are:

Group C (p/n: PH*MQMJ-FK) | Group G (p/n: PH***PG-FK) | Group I (p/n: PH***MLI-FK)**

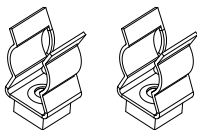
On PH750PG-FK, PH1000PG-FK, PH750MLI-FK, and PH1000MLI-FK, only primary fuse clips are included on factory installed units. Secondary fuse clips are not included or available on these units.

Other voltage groups available with factory installed fuse kits. Please contact your HPS sales or customer service representative for details.

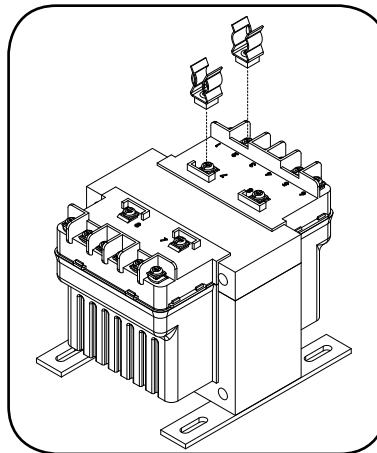
Note: All factory installed fuse kits are pre-wired at the transformers highest primary voltage and the lowest secondary voltage. To hook up at a different primary or secondary voltage, please refer to the wiring instruction sheet included with the transformer.



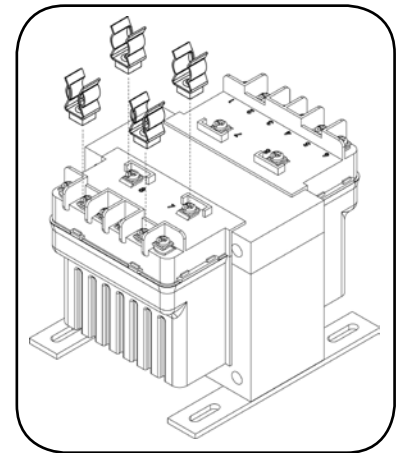
**Sample Accessory Drawing
for Fuse Clips**
(for 50, 75 and 100VA)



**Sample Accessory Drawing
for Fuse Clips**
(for 150VA to 1500VA)



**Sample Assembly Drawing
for Secondary Fuse Clip
Installation**
(For 150VA to 1500VA)



**Sample Assembly Drawing
for Primary Fuse Clip
Installation**
(For 150VA to 1500VA)

Note: HPS Imperator primary and secondary fuse kits are not suitable for branch circuit applications!