



# Optic Flood Light

## PFM43LED 43 Watt LED Optic Flood Light



### SPECIFICATIONS:

	PFM43LED3K	PFM43LED
<b>Lumens:</b>	4,010	4,398
<b>Watts:</b>	41.47	40.82
<b>Lumens/Watt:</b>	96.70	107.75
<b>CRI:</b>	72.5	72.2
<b>CCT:</b>	3065	4545
<b>LC Prod. ID:</b>	PRXXQNAE	P0000053V

### Construction:

Designed for commercial and industrial applications, providing cooler operating temperatures, brighter light and longer LED life. Apertures for field or factory installed photocontrol. Heavy duty knuckle with 90° adjustment.

### Optics:

Atlas optic flood lights utilize individual lenses for maximum light intensity. These lenses are made of optical grade acrylic. This guarantees more footcandles, less glare and less wasted light.

### Thermal Management:

Atlas optic flood lights are designed as a complete system to optimize LED life and light output. The Patent Pending thermal stacking heat removal technology extracts heat from within the housing moving it away from LEDs and components. The lower temperatures result in long LED life (200,000+ hrs) and component life and also allows for higher light output.

### Listings:

Luminaire is certified to UL/cUL Standards for Wet Locations DesignLights Consortium qualified luminaire, eligible for rebates from DLC member utilities.

### AC Input:

120/208/240/277 V

### Driver:

Constant current, Class 2, 120-277 VAC, 50-60 Hz  
High Efficiency – min. 88%  
Off-State Power: 0 Watts  
0-10 V Dimming

### LEDs:

3000K | 4500K CCT  
Epoxy Guard™ protective conformal coated boards  
Atlas LEDs provide higher lumen output, greater energy efficiency and more reliable fixture performance. They are tested and binned at 700mA which is the actual operating current used in Atlas LED luminaires, giving a better representation of actual performance.

### Reduced Glare:

Positioning of the LED modules within the housing result in light directed to desired locations and reduces offensive light.

### Testing:

Atlas LED luminaires have been tested by an independent laboratory in accordance with IESNA LM-79 & LM-80.

**Warranty:** Five-year limited warranty

### Photo Control:

For factory installed 120V button photo control add suffix PC to part number.

### 480 Volt:

For 480V add suffix 4 to part number.

<sup>1</sup>LED Life Span Based Upon LM-80 Test Results

### Project Information

Job Name

Fixture Type 43 Watt LED Optic Flood Light

Catalog Number PFM43LED

Approved by

**Alpha Series LED**  
PROFESSIONAL GRADE

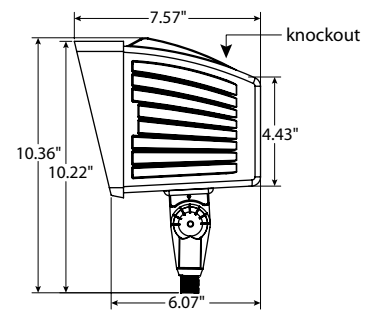
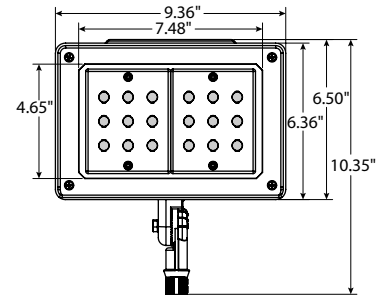


**PFM43LED**  
Design is Protected  
by US Patent D772,474

### DIMENSIONS:

**Weight:** 10 lbs.

**EPA:** 0.47



**Rebates and Incentives are available in many areas.  
Contact an Atlas Representative for more information.**

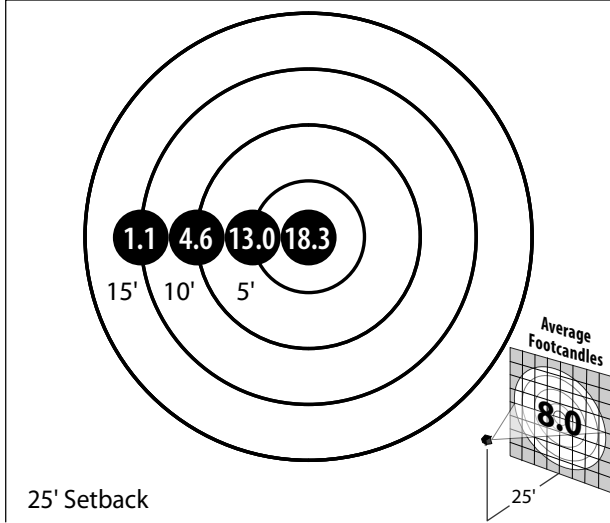
## ATLAS LIGHTING PRODUCTS, INC.

PO BOX 2348 | BURLINGTON, NC 27216

800-849-8485 | FAX: 336-227-0110 | www.atlasled.com

\*The majority of Atlas Lighting Products are assembled in USA facilities by an American Workforce utilizing both Domestic and Foreign components. Meets Buy American requirements within the ARRA.

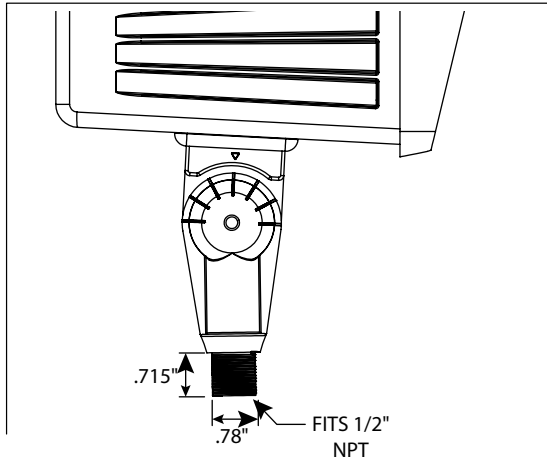
**PHOTOMETRIC**



**ENERGY SAVINGS**

LED		HID			ANNUAL SAVINGS
WATTAGE	ANNUAL COST	SOURCE WATTAGE	TOTAL WATTAGE USED	ANNUAL COST	
43	\$19	100	129	\$77	\$58
43	\$19	150	185	\$100	\$81
43	\$19	175	210	\$112	\$93

**MOUNTING DETAIL**





# Optic Flood Light

## PFM43LED 43 Watt LED Optic Flood Light



### SPECIFICATIONS:

	PFM43LED3K	PFM43LED
<b>Lumens:</b>	4,010	4,398
<b>Watts:</b>	41.47	40.82
<b>Lumens/Watt:</b>	96.70	107.75
<b>CRI:</b>	72.5	72.2
<b>CCT:</b>	3065	4545
<b>LC Prod. ID:</b>	PRXXQNAE	P0000053V

### Construction:

Designed for commercial and industrial applications, providing cooler operating temperatures, brighter light and longer LED life. Apertures for field or factory installed photocontrol. Heavy duty knuckle with 90° adjustment.

### Optics:

Atlas optic flood lights utilize individual lenses for maximum light intensity. These lenses are made of optical grade acrylic. This guarantees more footcandles, less glare and less wasted light.

### Thermal Management:

Atlas optic flood lights are designed as a complete system to optimize LED life and light output. The Patent Pending thermal stacking heat removal technology extracts heat from within the housing moving it away from LEDs and components. The lower temperatures result in long LED life (200,000+ hrs) and component life and also allows for higher light output.

### Listings:

Luminaire is certified to UL/cUL Standards for Wet Locations DesignLights Consortium qualified luminaire, eligible for rebates from DLC member utilities.

### AC Input:

120/208/240/277 V

### Driver:

Constant current, Class 2, 120-277 VAC, 50-60 Hz  
High Efficiency – min. 88%  
Off-State Power: 0 Watts  
0-10 V Dimming

### LEDs:

3000K | 4500K CCT  
Epoxy Guard™ protective conformal coated boards  
Atlas LEDs provide higher lumen output, greater energy efficiency and more reliable fixture performance. They are tested and binned at 700mA which is the actual operating current used in Atlas LED luminaires, giving a better representation of actual performance.

### Reduced Glare:

Positioning of the LED modules within the housing result in light directed to desired locations and reduces offensive light.

### Testing:

Atlas LED luminaires have been tested by an independent laboratory in accordance with IESNA LM-79 & LM-80.

**Warranty:** Five-year limited warranty

### Photo Control:

For factory installed 120V button photo control add suffix PC to part number.

### 480 Volt:

For 480V add suffix 4 to part number.

<sup>1</sup>LED Life Span Based Upon LM-80 Test Results

### Project Information

Job Name

Fixture Type 43 Watt LED Optic Flood Light

Catalog Number PFM43LED

Approved by

**Alpha Series LED**  
PROFESSIONAL GRADE

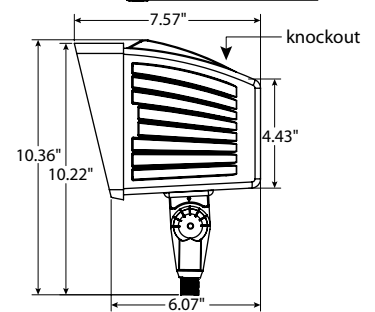
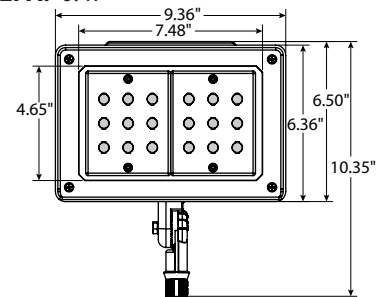


**PFM43LED**  
Design is Protected  
by US Patent D772,474

### DIMENSIONS:

**Weight:** 10 lbs.

**EPA:** 0.47



**Rebates and Incentives are available in many areas.  
Contact an Atlas Representative for more information.**

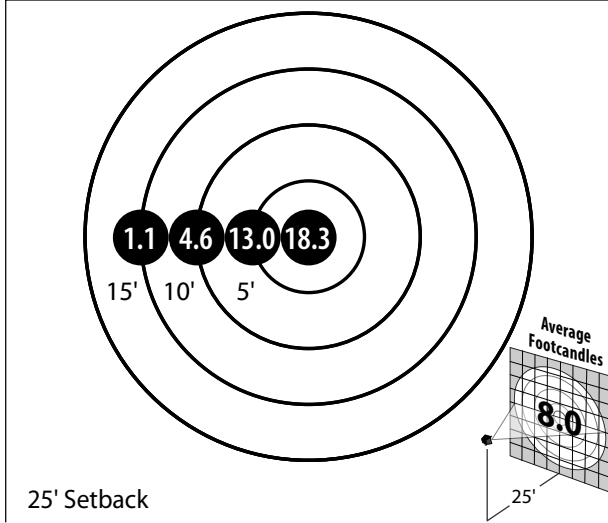
## ATLAS LIGHTING PRODUCTS, INC.

PO BOX 2348 | BURLINGTON, NC 27216

800-849-8485 | FAX: 336-227-0110 | www.atlasled.com

\*The majority of Atlas Lighting Products are assembled in USA facilities by an American Workforce utilizing both Domestic and Foreign components. Meets Buy American requirements within the ARRA.

**PHOTOMETRIC**



**ENERGY SAVINGS**

LED		HID			ANNUAL SAVINGS
WATTAGE	ANNUAL COST	SOURCE WATTAGE	TOTAL WATTAGE USED	ANNUAL COST	
43	\$19	100	129	\$77	\$58
43	\$19	150	185	\$100	\$81
43	\$19	175	210	\$112	\$93

**MOUNTING DETAIL**

