



Mogul Style Conduit Bodies

Description:

Plasti-Bond REDH₂OT mogul style conduit bodies are offered in numerous configurations to provide a complete coated conduit system. Mogul BG Covers are sold separately. Mogul style fitting bodies have long openings and may be used to make bends in conduit runs, for pull outlets for stiff conductors, to provide additional room for taps or splices, etc.. Electrical continuity of the conduit system is maintained across assembled joints.

Features:

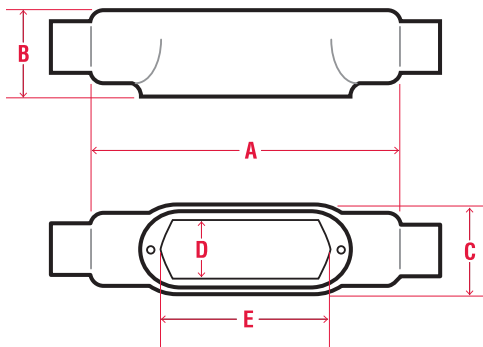
- 40 mil gray PVC exterior coating
- 2 mil red urethane interior coating
- 8 trade sizes from 1" through 4"
- Sealing sleeves on all conduit openings
- Molded-in seal between bodies and covers
- Large cover openings provide ample room

Standards:

Steel and Aluminum

- UL 514A, 514D (E231035)
- CSA C22.2 No. 18, CSA C22.2 No. 42

Conduit Bodies – Mogul Technical Data



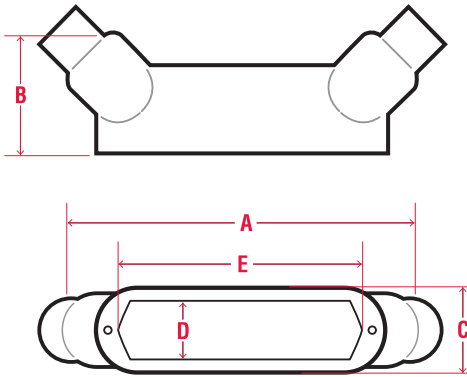
BC

PIPE SIZE	FERROUS CATALOG #	NOMINAL WEIGHT	A	B	C	D	E	ALUMINUM CATALOG #
1"	PRBC3	3.2	9.56	1.92	2.27	1.88	6	PRBC3SA
1-1/4"	PRBC4	4.2	9.56	2.35	2.27	1.88	6	PRBC4SA
1-1/2"	PRBC5	6.0	13.75	2.60	3.08	2.63	10	PRBC5SA
2"	PRBC6	7.0	13.75	3.17	3.08	2.63	10	PRBC6SA
2-1/2"	PRBC7	13.8	18.38	3.67	4.33	3.81	15	PRBC7SA
3"	PRBC8	17.5	18.38	4.42	4.33	3.81	15	PRBC8SA
3-1/2"	PRBC9	25.0	23.75	4.92	5.33	4.75	20	PRBC9SA
4"	PRBC10	28.0	23.75	5.42	5.33	4.75	20	PRBC10SA

(cover sold separately)

Conduit Bodies and Covers

Conduit Bodies – Mogul Technical Data



BUB

PIPE SIZE	FERROUS CATALOG #	NOMINAL WEIGHT	A	B	C	D	E	ALUMINUM CATALOG #
1"	PRBUB3	3.2	9.19	2.69	2.27	1.88	6	PRBUB3SA
1-1/4"	PRBUB4	4.0	9.31	3.19	2.27	1.88	6	PRBUB4SA
1-1/2"	PRBUB5	5.9	13.50	3.50	3.08	2.63	10	PRBUB5SA
2"	PRBUB6	7.8	13.50	4.13	3.08	2.63	10	PRBUB6SA
2-1/2"	PRBUB7	12.5	17.75	4.81	4.33	3.81	15	PRBUB7SA
3"	PRBUB8	17.0	17.88	5.63	4.33	3.81	15	PRBUB8SA
3-1/2"	PRBUB9	25.0	23.38	6.38	5.33	4.75	20	PRBUB9SA
4"	PRBUB10	28.0	23.25	6.81	5.33	4.75	20	PRBUB10SA

(cover sold separately)



BLB

PIPE SIZE	FERROUS CATALOG #	NOMINAL WEIGHT	A	B	C	D	E	ALUMINUM CATALOG #
1"	PRBLB3	3.2	8.63	2.84	2.27	1.88	6	PRBLB3SA
1-1/4"	PRBLB4	4.2	8.63	3.28	2.27	1.88	6	PRBLB4SA
1-1/2"	PRBLB5	6.0	12.73	3.63	3.08	2.63	10	PRBLB5SA
2"	PRBLB6	7.0	12.73	4.19	3.08	2.63	10	PRBLB6SA
2-1/2"	PRBLB7	13.8	16.95	5.09	4.33	3.81	15	PRBLB7SA
3"	PRBLB8	17.5	16.95	5.84	4.33	3.81	15	PRBLB8SA
3-1/2"	PRBLB9	25.0	22.17	6.50	5.33	4.75	20	PRBLB9SA
4"	PRBLB10	28.0	22.17	7.00	5.33	4.75	20	PRBLB10SA

(cover sold separately)



BT

PIPE SIZE	FERROUS CATALOG #	NOMINAL WEIGHT	A	B	C	D	E	ALUMINUM CATALOG #
1"	PRBT3	3.2	9.56	1.92	3.24	1.88	6	PRBT3SA
1-1/4"	PRBT4	3.6	9.56	2.35	3.24	1.88	6	PRBT4SA
1-1/2"	PRBT5	7.5	13.75	2.60	4.14	2.63	10	PRBT5SA
2"	PRBT6	9.0	13.75	3.17	4.14	2.63	10	PRBT6SA
2-1/2"	PRBT7	15.0	18.38	3.67	5.67	3.81	15	PRBT7SA
3"	PRBT8	19.0	18.38	4.42	5.80	3.81	15	PRBT8SA
3-1/2"	PRBT9	29.0	23.75	4.92	6.96	4.75	20	PRBT9SA
4"	PRBT10	32.0	23.75	5.42	6.96	4.75	20	PRBT10SA

(cover sold separately)

BG COVERS (body sold separately)

FERROUS CATALOG #	DESCRIPTION	NOMINAL WEIGHT	ALUMINUM CATALOG #
PRBG48	1 - 1 1/4 BG COVER MOGUL	2.5	PRBG48SA
PRBG68	1 1/2 - 2 BG COVER MOGUL	3.2	PRBG68SA
PRBG88	2 1/2 - 3 BG COVER MOGUL	6.4	PRBG88SA
PRBG98	3 1/2 - 4 BG COVER MOGUL	9.8	PRBG98SA



Contact us:
customerservice@plastibond.com



Visit www.plastibond.com
For more information



Mogul Style Conduit Bodies

Description:

Plasti-Bond REDH₂OT mogul style conduit bodies are offered in numerous configurations to provide a complete coated conduit system. Mogul BG Covers are sold separately. Mogul style fitting bodies have long openings and may be used to make bends in conduit runs, for pull outlets for stiff conductors, to provide additional room for taps or splices, etc.. Electrical continuity of the conduit system is maintained across assembled joints.

Features:

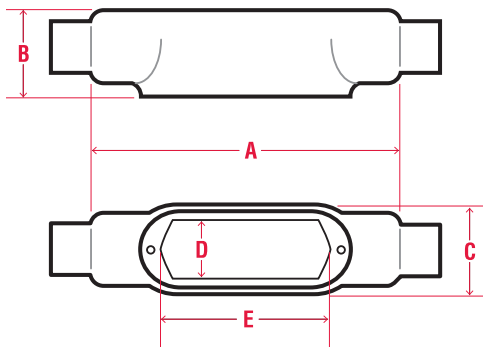
- 40 mil gray PVC exterior coating
- 2 mil red urethane interior coating
- 8 trade sizes from 1" through 4"
- Sealing sleeves on all conduit openings
- Molded-in seal between bodies and covers
- Large cover openings provide ample room

Standards:

Steel and Aluminum

- UL 514A, 514D (E231035)
- CSA C22.2 No. 18, CSA C22.2 No. 42

Conduit Bodies – Mogul Technical Data



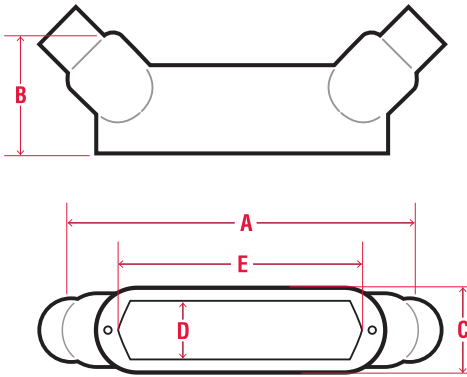
BC

PIPE SIZE	FERROUS CATALOG #	NOMINAL WEIGHT	A	B	C	D	E	ALUMINUM CATALOG #
1"	PRBC3	3.2	9.56	1.92	2.27	1.88	6	PRBC3SA
1-1/4"	PRBC4	4.2	9.56	2.35	2.27	1.88	6	PRBC4SA
1-1/2"	PRBC5	6.0	13.75	2.60	3.08	2.63	10	PRBC5SA
2"	PRBC6	7.0	13.75	3.17	3.08	2.63	10	PRBC6SA
2-1/2"	PRBC7	13.8	18.38	3.67	4.33	3.81	15	PRBC7SA
3"	PRBC8	17.5	18.38	4.42	4.33	3.81	15	PRBC8SA
3-1/2"	PRBC9	25.0	23.75	4.92	5.33	4.75	20	PRBC9SA
4"	PRBC10	28.0	23.75	5.42	5.33	4.75	20	PRBC10SA

(cover sold separately)

Conduit Bodies and Covers

Conduit Bodies – Mogul Technical Data



BUB

PIPE SIZE	FERROUS CATALOG #	NOMINAL WEIGHT	A	B	C	D	E	ALUMINUM CATALOG #
1"	PRBUB3	3.2	9.19	2.69	2.27	1.88	6	PRBUB3SA
1-1/4"	PRBUB4	4.0	9.31	3.19	2.27	1.88	6	PRBUB4SA
1-1/2"	PRBUB5	5.9	13.50	3.50	3.08	2.63	10	PRBUB5SA
2"	PRBUB6	7.8	13.50	4.13	3.08	2.63	10	PRBUB6SA
2-1/2"	PRBUB7	12.5	17.75	4.81	4.33	3.81	15	PRBUB7SA
3"	PRBUB8	17.0	17.88	5.63	4.33	3.81	15	PRBUB8SA
3-1/2"	PRBUB9	25.0	23.38	6.38	5.33	4.75	20	PRBUB9SA
4"	PRBUB10	28.0	23.25	6.81	5.33	4.75	20	PRBUB10SA

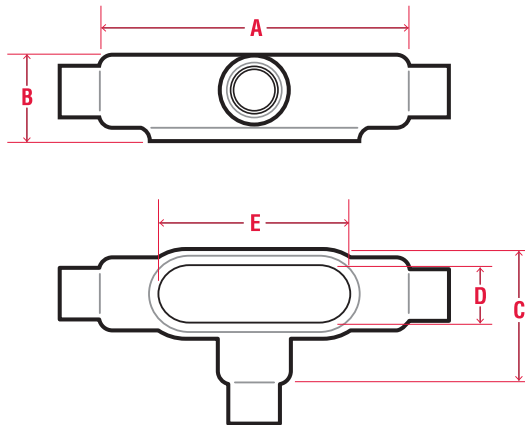
(cover sold separately)



BLB

PIPE SIZE	FERROUS CATALOG #	NOMINAL WEIGHT	A	B	C	D	E	ALUMINUM CATALOG #
1"	PRBLB3	3.2	8.63	2.84	2.27	1.88	6	PRBLB3SA
1-1/4"	PRBLB4	4.2	8.63	3.28	2.27	1.88	6	PRBLB4SA
1-1/2"	PRBLB5	6.0	12.73	3.63	3.08	2.63	10	PRBLB5SA
2"	PRBLB6	7.0	12.73	4.19	3.08	2.63	10	PRBLB6SA
2-1/2"	PRBLB7	13.8	16.95	5.09	4.33	3.81	15	PRBLB7SA
3"	PRBLB8	17.5	16.95	5.84	4.33	3.81	15	PRBLB8SA
3-1/2"	PRBLB9	25.0	22.17	6.50	5.33	4.75	20	PRBLB9SA
4"	PRBLB10	28.0	22.17	7.00	5.33	4.75	20	PRBLB10SA

(cover sold separately)



BT

PIPE SIZE	FERROUS CATALOG #	NOMINAL WEIGHT	A	B	C	D	E	ALUMINUM CATALOG #
1"	PRBT3	3.2	9.56	1.92	3.24	1.88	6	PRBT3SA
1-1/4"	PRBT4	3.6	9.56	2.35	3.24	1.88	6	PRBT4SA
1-1/2"	PRBT5	7.5	13.75	2.60	4.14	2.63	10	PRBT5SA
2"	PRBT6	9.0	13.75	3.17	4.14	2.63	10	PRBT6SA
2-1/2"	PRBT7	15.0	18.38	3.67	5.67	3.81	15	PRBT7SA
3"	PRBT8	19.0	18.38	4.42	5.80	3.81	15	PRBT8SA
3-1/2"	PRBT9	29.0	23.75	4.92	6.96	4.75	20	PRBT9SA
4"	PRBT10	32.0	23.75	5.42	6.96	4.75	20	PRBT10SA

(cover sold separately)

BG COVERS (body sold separately)

FERROUS CATALOG #	DESCRIPTION	NOMINAL WEIGHT	ALUMINUM CATALOG #
PRBG48	1 - 1 1/4 BG COVER MOGUL	2.5	PRBG48SA
PRBG68	1 1/2 - 2 BG COVER MOGUL	3.2	PRBG68SA
PRBG88	2 1/2 - 3 BG COVER MOGUL	6.4	PRBG88SA
PRBG98	3 1/2 - 4 BG COVER MOGUL	9.8	PRBG98SA



Contact us:
customerservice@plastibond.com



Visit www.plastibond.com
For more information