



Mogul Style Conduit Bodies

Description:

Plasti-Bond REDH₂OT mogul style conduit bodies are offered in numerous configurations to provide a complete coated conduit system. Mogul BG Covers are sold separately. Mogul style fitting bodies have long openings and may be used to make bends in conduit runs, for pull outlets for stiff conductors, to provide additional room for taps or splices, etc.. Electrical continuity of the conduit system is maintained across assembled joints.

Features:

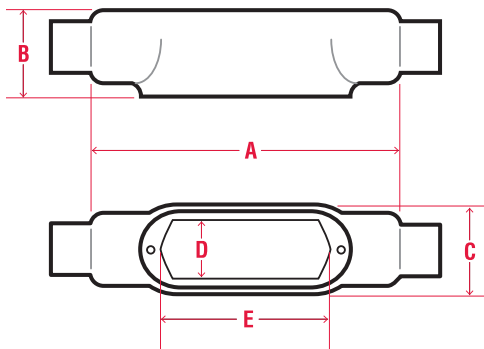
- 40 mil gray PVC exterior coating
- 2 mil red urethane interior coating
- 8 trade sizes from 1" through 4"
- Sealing sleeves on all conduit openings
- Molded-in seal between bodies and covers
- Large cover openings provide ample room

Standards:

Steel and Aluminum

- UL 514A, 514D (E231035)
- CSA C22.2 No. 18, CSA C22.2 No. 42

Conduit Bodies – Mogul Technical Data



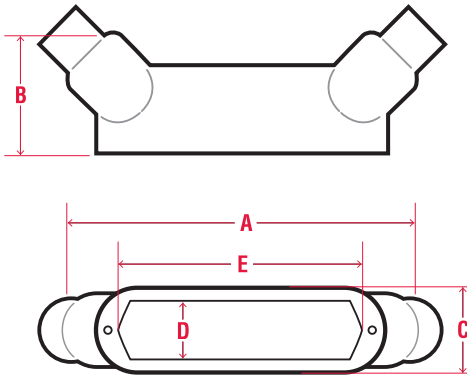
BC

| PIPE SIZE | FERROUS CATALOG # | NOMINAL WEIGHT | A | B | C | D | E | ALUMINUM CATALOG # |
|-----------|-------------------|----------------|-------|------|------|------|----|--------------------|
| 1" | PRBC3 | 3.2 | 9.56 | 1.92 | 2.27 | 1.88 | 6 | PRBC3SA |
| 1-1/4" | PRBC4 | 4.2 | 9.56 | 2.35 | 2.27 | 1.88 | 6 | PRBC4SA |
| 1-1/2" | PRBC5 | 6.0 | 13.75 | 2.60 | 3.08 | 2.63 | 10 | PRBC5SA |
| 2" | PRBC6 | 7.0 | 13.75 | 3.17 | 3.08 | 2.63 | 10 | PRBC6SA |
| 2-1/2" | PRBC7 | 13.8 | 18.38 | 3.67 | 4.33 | 3.81 | 15 | PRBC7SA |
| 3" | PRBC8 | 17.5 | 18.38 | 4.42 | 4.33 | 3.81 | 15 | PRBC8SA |
| 3-1/2" | PRBC9 | 25.0 | 23.75 | 4.92 | 5.33 | 4.75 | 20 | PRBC9SA |
| 4" | PRBC10 | 28.0 | 23.75 | 5.42 | 5.33 | 4.75 | 20 | PRBC10SA |

(cover sold separately)

Conduit Bodies and Covers

Conduit Bodies – Mogul Technical Data



BUB

| PIPE SIZE | FERROUS CATALOG # | NOMINAL WEIGHT | A | B | C | D | E | ALUMINUM CATALOG # |
|-----------|-------------------|----------------|-------|------|------|------|----|--------------------|
| 1" | PRBUB3 | 3.2 | 9.19 | 2.69 | 2.27 | 1.88 | 6 | PRBUB3SA |
| 1-1/4" | PRBUB4 | 4.0 | 9.31 | 3.19 | 2.27 | 1.88 | 6 | PRBUB4SA |
| 1-1/2" | PRBUB5 | 5.9 | 13.50 | 3.50 | 3.08 | 2.63 | 10 | PRBUB5SA |
| 2" | PRBUB6 | 7.8 | 13.50 | 4.13 | 3.08 | 2.63 | 10 | PRBUB6SA |
| 2-1/2" | PRBUB7 | 12.5 | 17.75 | 4.81 | 4.33 | 3.81 | 15 | PRBUB7SA |
| 3" | PRBUB8 | 17.0 | 17.88 | 5.63 | 4.33 | 3.81 | 15 | PRBUB8SA |
| 3-1/2" | PRBUB9 | 25.0 | 23.38 | 6.38 | 5.33 | 4.75 | 20 | PRBUB9SA |
| 4" | PRBUB10 | 28.0 | 23.25 | 6.81 | 5.33 | 4.75 | 20 | PRBUB10SA |

(cover sold separately)



BLB

| PIPE SIZE | FERROUS CATALOG # | NOMINAL WEIGHT | A | B | C | D | E | ALUMINUM CATALOG # |
|-----------|-------------------|----------------|-------|------|------|------|----|--------------------|
| 1" | PRBLB3 | 3.2 | 8.63 | 2.84 | 2.27 | 1.88 | 6 | PRBLB3SA |
| 1-1/4" | PRBLB4 | 4.2 | 8.63 | 3.28 | 2.27 | 1.88 | 6 | PRBLB4SA |
| 1-1/2" | PRBLB5 | 6.0 | 12.73 | 3.63 | 3.08 | 2.63 | 10 | PRBLB5SA |
| 2" | PRBLB6 | 7.0 | 12.73 | 4.19 | 3.08 | 2.63 | 10 | PRBLB6SA |
| 2-1/2" | PRBLB7 | 13.8 | 16.95 | 5.09 | 4.33 | 3.81 | 15 | PRBLB7SA |
| 3" | PRBLB8 | 17.5 | 16.95 | 5.84 | 4.33 | 3.81 | 15 | PRBLB8SA |
| 3-1/2" | PRBLB9 | 25.0 | 22.17 | 6.50 | 5.33 | 4.75 | 20 | PRBLB9SA |
| 4" | PRBLB10 | 28.0 | 22.17 | 7.00 | 5.33 | 4.75 | 20 | PRBLB10SA |

(cover sold separately)



BT

| PIPE SIZE | FERROUS CATALOG # | NOMINAL WEIGHT | A | B | C | D | E | ALUMINUM CATALOG # |
|-----------|-------------------|----------------|-------|------|------|------|----|--------------------|
| 1" | PRBT3 | 3.2 | 9.56 | 1.92 | 3.24 | 1.88 | 6 | PRBT3SA |
| 1-1/4" | PRBT4 | 3.6 | 9.56 | 2.35 | 3.24 | 1.88 | 6 | PRBT4SA |
| 1-1/2" | PRBT5 | 7.5 | 13.75 | 2.60 | 4.14 | 2.63 | 10 | PRBT5SA |
| 2" | PRBT6 | 9.0 | 13.75 | 3.17 | 4.14 | 2.63 | 10 | PRBT6SA |
| 2-1/2" | PRBT7 | 15.0 | 18.38 | 3.67 | 5.67 | 3.81 | 15 | PRBT7SA |
| 3" | PRBT8 | 19.0 | 18.38 | 4.42 | 5.80 | 3.81 | 15 | PRBT8SA |
| 3-1/2" | PRBT9 | 29.0 | 23.75 | 4.92 | 6.96 | 4.75 | 20 | PRBT9SA |
| 4" | PRBT10 | 32.0 | 23.75 | 5.42 | 6.96 | 4.75 | 20 | PRBT10SA |

(cover sold separately)

BG COVERS (body sold separately)

| FERROUS CATALOG # | DESCRIPTION | NOMINAL WEIGHT | ALUMINUM CATALOG # |
|-------------------|--------------------------|----------------|--------------------|
| PRBG48 | 1 - 1 1/4 BG COVER MOGUL | 2.5 | PRBG48SA |
| PRBG68 | 1 1/2 - 2 BG COVER MOGUL | 3.2 | PRBG68SA |
| PRBG88 | 2 1/2 - 3 BG COVER MOGUL | 6.4 | PRBG88SA |
| PRBG98 | 3 1/2 - 4 BG COVER MOGUL | 9.8 | PRBG98SA |



Contact us:
customerservice@plastibond.com



Visit www.plastibond.com
For more information



Mogul Style Conduit Bodies

Description:

Plasti-Bond REDH₂OT mogul style conduit bodies are offered in numerous configurations to provide a complete coated conduit system. Mogul BG Covers are sold separately. Mogul style fitting bodies have long openings and may be used to make bends in conduit runs, for pull outlets for stiff conductors, to provide additional room for taps or splices, etc.. Electrical continuity of the conduit system is maintained across assembled joints.

Features:

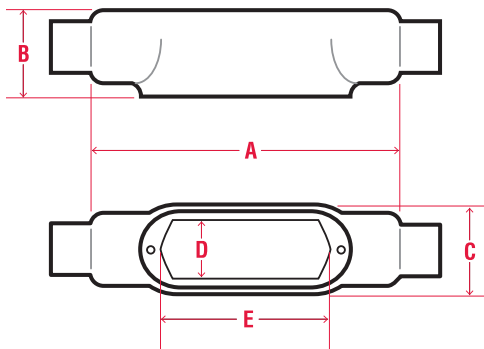
- 40 mil gray PVC exterior coating
- 2 mil red urethane interior coating
- 8 trade sizes from 1" through 4"
- Sealing sleeves on all conduit openings
- Molded-in seal between bodies and covers
- Large cover openings provide ample room

Standards:

Steel and Aluminum

- UL 514A, 514D (E231035)
- CSA C22.2 No. 18, CSA C22.2 No. 42

Conduit Bodies – Mogul Technical Data



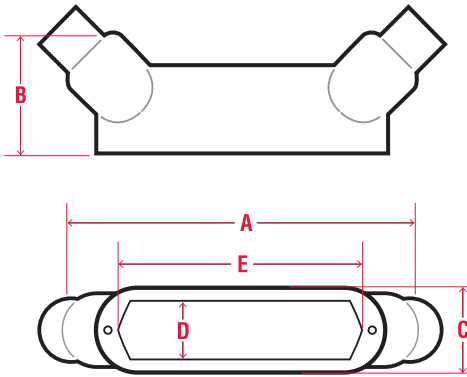
BC

| PIPE SIZE | FERROUS CATALOG # | NOMINAL WEIGHT | A | B | C | D | E | ALUMINUM CATALOG # |
|-----------|-------------------|----------------|-------|------|------|------|----|--------------------|
| 1" | PRBC3 | 3.2 | 9.56 | 1.92 | 2.27 | 1.88 | 6 | PRBC3SA |
| 1-1/4" | PRBC4 | 4.2 | 9.56 | 2.35 | 2.27 | 1.88 | 6 | PRBC4SA |
| 1-1/2" | PRBC5 | 6.0 | 13.75 | 2.60 | 3.08 | 2.63 | 10 | PRBC5SA |
| 2" | PRBC6 | 7.0 | 13.75 | 3.17 | 3.08 | 2.63 | 10 | PRBC6SA |
| 2-1/2" | PRBC7 | 13.8 | 18.38 | 3.67 | 4.33 | 3.81 | 15 | PRBC7SA |
| 3" | PRBC8 | 17.5 | 18.38 | 4.42 | 4.33 | 3.81 | 15 | PRBC8SA |
| 3-1/2" | PRBC9 | 25.0 | 23.75 | 4.92 | 5.33 | 4.75 | 20 | PRBC9SA |
| 4" | PRBC10 | 28.0 | 23.75 | 5.42 | 5.33 | 4.75 | 20 | PRBC10SA |

(cover sold separately)

Conduit Bodies and Covers

Conduit Bodies – Mogul Technical Data



BUB

| PIPE SIZE | FERROUS CATALOG # | NOMINAL WEIGHT | A | B | C | D | E | ALUMINUM CATALOG # |
|-----------|-------------------|----------------|-------|------|------|------|----|--------------------|
| 1" | PRBUB3 | 3.2 | 9.19 | 2.69 | 2.27 | 1.88 | 6 | PRBUB3SA |
| 1-1/4" | PRBUB4 | 4.0 | 9.31 | 3.19 | 2.27 | 1.88 | 6 | PRBUB4SA |
| 1-1/2" | PRBUB5 | 5.9 | 13.50 | 3.50 | 3.08 | 2.63 | 10 | PRBUB5SA |
| 2" | PRBUB6 | 7.8 | 13.50 | 4.13 | 3.08 | 2.63 | 10 | PRBUB6SA |
| 2-1/2" | PRBUB7 | 12.5 | 17.75 | 4.81 | 4.33 | 3.81 | 15 | PRBUB7SA |
| 3" | PRBUB8 | 17.0 | 17.88 | 5.63 | 4.33 | 3.81 | 15 | PRBUB8SA |
| 3-1/2" | PRBUB9 | 25.0 | 23.38 | 6.38 | 5.33 | 4.75 | 20 | PRBUB9SA |
| 4" | PRBUB10 | 28.0 | 23.25 | 6.81 | 5.33 | 4.75 | 20 | PRBUB10SA |

(cover sold separately)



BLB

| PIPE SIZE | FERROUS CATALOG # | NOMINAL WEIGHT | A | B | C | D | E | ALUMINUM CATALOG # |
|-----------|-------------------|----------------|-------|------|------|------|----|--------------------|
| 1" | PRBLB3 | 3.2 | 8.63 | 2.84 | 2.27 | 1.88 | 6 | PRBLB3SA |
| 1-1/4" | PRBLB4 | 4.2 | 8.63 | 3.28 | 2.27 | 1.88 | 6 | PRBLB4SA |
| 1-1/2" | PRBLB5 | 6.0 | 12.73 | 3.63 | 3.08 | 2.63 | 10 | PRBLB5SA |
| 2" | PRBLB6 | 7.0 | 12.73 | 4.19 | 3.08 | 2.63 | 10 | PRBLB6SA |
| 2-1/2" | PRBLB7 | 13.8 | 16.95 | 5.09 | 4.33 | 3.81 | 15 | PRBLB7SA |
| 3" | PRBLB8 | 17.5 | 16.95 | 5.84 | 4.33 | 3.81 | 15 | PRBLB8SA |
| 3-1/2" | PRBLB9 | 25.0 | 22.17 | 6.50 | 5.33 | 4.75 | 20 | PRBLB9SA |
| 4" | PRBLB10 | 28.0 | 22.17 | 7.00 | 5.33 | 4.75 | 20 | PRBLB10SA |

(cover sold separately)



BT

| PIPE SIZE | FERROUS CATALOG # | NOMINAL WEIGHT | A | B | C | D | E | ALUMINUM CATALOG # |
|-----------|-------------------|----------------|-------|------|------|------|----|--------------------|
| 1" | PRBT3 | 3.2 | 9.56 | 1.92 | 3.24 | 1.88 | 6 | PRBT3SA |
| 1-1/4" | PRBT4 | 3.6 | 9.56 | 2.35 | 3.24 | 1.88 | 6 | PRBT4SA |
| 1-1/2" | PRBT5 | 7.5 | 13.75 | 2.60 | 4.14 | 2.63 | 10 | PRBT5SA |
| 2" | PRBT6 | 9.0 | 13.75 | 3.17 | 4.14 | 2.63 | 10 | PRBT6SA |
| 2-1/2" | PRBT7 | 15.0 | 18.38 | 3.67 | 5.67 | 3.81 | 15 | PRBT7SA |
| 3" | PRBT8 | 19.0 | 18.38 | 4.42 | 5.80 | 3.81 | 15 | PRBT8SA |
| 3-1/2" | PRBT9 | 29.0 | 23.75 | 4.92 | 6.96 | 4.75 | 20 | PRBT9SA |
| 4" | PRBT10 | 32.0 | 23.75 | 5.42 | 6.96 | 4.75 | 20 | PRBT10SA |

(cover sold separately)

BG COVERS (body sold separately)

| FERROUS CATALOG # | DESCRIPTION | NOMINAL WEIGHT | ALUMINUM CATALOG # |
|-------------------|--------------------------|----------------|--------------------|
| PRBG48 | 1 - 1 1/4 BG COVER MOGUL | 2.5 | PRBG48SA |
| PRBG68 | 1 1/2 - 2 BG COVER MOGUL | 3.2 | PRBG68SA |
| PRBG88 | 2 1/2 - 3 BG COVER MOGUL | 6.4 | PRBG88SA |
| PRBG98 | 3 1/2 - 4 BG COVER MOGUL | 9.8 | PRBG98SA |



Contact us:
customerservice@plastibond.com



Visit www.plastibond.com
For more information