



Conduit Bodies and Covers for General Service Locations

Description:

Plasti-Bond REDH₂OT conduit bodies with covers are offered in Form 8 and Form 7 styles, each with numerous configurations to provide a complete coated conduit system. May be used to make 90° bends, for pull outlets, to provide for taps or splices, to act as a mounting outlet for wiring devices or lighting fixtures, etc. Form 8 style fittings 1/2" – 4" have an integral V-Seal gasket for superior corrosion protection. Electrical continuity of the conduit system is maintained across assembled joints.

Features:

- 40 mil gray PVC exterior coating
- 2 mil red urethane interior coating
- 10 trade sizes from 1/2" through 4"
- Sealing sleeves on all conduit openings
- Form 7 style cover uses retained stainless screw and wedge clip design
- Form 8 style cover uses plastic encapsulated stainless steel screws with retainers built into covers for trade sizes 1/2" through 2"
- Integral V-Seal gasket on Form 8 style, sizes 1/2" through 4"

Standards:

Steel and Aluminum

- UL 514A, 514D (E231035)
 - CSA C22.2 No. 18, CSA C22.2 No. 42
- #### Form 8 & Mark 9 Fittings – 1/2" – 4"
- IEC IP69
 - UL Type 4X

Note: Form 7 fittings are not available with encapsulated screws.

All cover screws are stainless steel.

Conduit Bodies and Covers



TB FORM 8

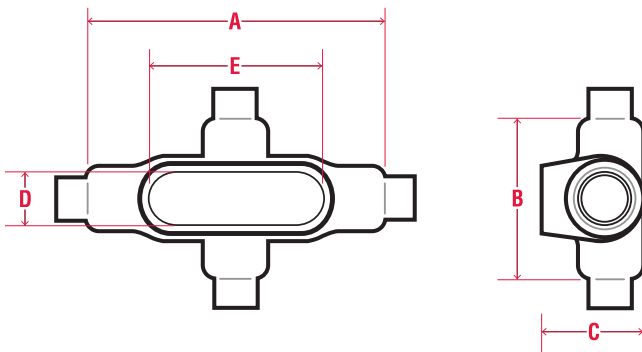
| PIPE SIZE | FERROUS CATALOG # | NOMINAL WEIGHT | A | B | C | D | E |
|-----------|-------------------|----------------|-------|------|------|------|------|
| 1/2" | PRHTB18 | 2.0 | 5.69 | 2.53 | 1.46 | 1.00 | 3.31 |
| 3/4" | PRHTB28 | 2.3 | 6.28 | 2.75 | 1.64 | 1.19 | 3.94 |
| 1" | PRHTB38 | 3.1 | 7.31 | 3.13 | 1.83 | 1.38 | 4.56 |
| 1-1/4" | PRHTB448 | 5.2 | 8.50 | 3.34 | 2.27 | 1.75 | 5.31 |
| 1-1/2" | PRHTB58 | 7.0 | 10.38 | 4.03 | 2.83 | 2.13 | 6.50 |
| 2" | PRHTB68 | 11.0 | 12.25 | 4.81 | 3.83 | 3.00 | 8.56 |

TB FORM 7

| PIPE SIZE | FERROUS CATALOG # | NOMINAL WEIGHT | A | B | C | D | E | ALUMINUM CATALOG # |
|-----------|-------------------|----------------|------|------|------|------|------|--------------------|
| 1/2" | PRTB17 | 1.6 | 5.63 | 2.63 | 1.64 | 0.94 | 3.19 | PRTB17SA |
| 3/4" | PRTB27 | 2.1 | 6.25 | 2.88 | 1.83 | 1.13 | 3.81 | PRTB27SA |
| 1" | PRTB37 | 2.7 | 7.25 | 3.25 | 2.08 | 1.38 | 4.50 | PRTB37SA |
| 1-1/4" | PRTB47 | 3.7 | 7.44 | 3.31 | 2.27 | 1.75 | 5.00 | PRTB47SA |
| 1-1/2" | PRTB57 | 4.7 | 8.19 | 5.00 | 2.52 | 1.94 | 5.44 | PRTB57SA |
| 2" | PRTB67 | 7.0 | 9.19 | 6.13 | 3.08 | 2.44 | 6.38 | PRTB67SA |

TB MARK 9

| PIPE SIZE | NOMINAL WEIGHT | A | B | C | D | E | ALUMINUM CATALOG # |
|-----------|----------------|-------|------|------|------|------|--------------------|
| 1/2" | 2.0 | 5.00 | 2.13 | 1.46 | 1.19 | 3.31 | PRTB19 |
| 3/4" | 2.3 | 5.69 | 2.41 | 1.64 | 1.38 | 3.94 | PRTB29 |
| 1" | 3.1 | 6.59 | 2.84 | 1.83 | 1.50 | 4.56 | PRTB39 |
| 1-1/4" | 5.2 | 7.50 | 3.47 | 2.27 | 1.94 | 5.31 | PRTB49 |
| 1-1/2" | 7.0 | 8.34 | 3.88 | 2.58 | 2.16 | 5.88 | PRTB59 |
| 2" | 11.0 | 10.63 | 4.59 | 3.30 | 2.81 | 8.09 | PRTB69 |



X FORM 8

| PIPE SIZE | FERROUS CATALOG # | NOMINAL WEIGHT | A | B | C | D | E |
|-----------|-------------------|----------------|-------|------|------|------|------|
| 1/2" | PRHX18 | 2.0 | 5.69 | 2.91 | 1.79 | 1.00 | 3.31 |
| 3/4" | PRHX28 | 2.6 | 6.28 | 3.06 | 2.04 | 1.19 | 3.94 |
| 1" | PRHX38 | 3.1 | 7.31 | 3.50 | 2.29 | 1.38 | 4.56 |
| 1-1/4" | PRHX448 | 5.2 | 8.50 | 4.13 | 2.67 | 1.75 | 5.31 |
| 1-1/2" | PRHX58 | 7.5 | 10.38 | 5.25 | 2.51 | 2.13 | 6.50 |
| 2" | PRHX68 | 11.7 | 12.25 | 6.25 | 3.60 | 3.00 | 8.56 |

X FORM 7

| PIPE SIZE | FERROUS CATALOG # | NOMINAL WEIGHT | A | B | C | D | E | ALUMINUM CATALOG # |
|-----------|-------------------|----------------|------|------|------|------|------|--------------------|
| 1/2" | PRX17 | 1.7 | 5.63 | 3.31 | 1.79 | 0.94 | 3.19 | PRX17SA |
| 3/4" | PRX27 | 2.4 | 6.25 | 3.50 | 2.04 | 1.13 | 3.81 | PRX27SA |
| 1" | PRX37 | 2.7 | 7.25 | 4.00 | 2.29 | 1.38 | 4.50 | PRX37SA |
| 1-1/4" | PRX47 | 3.6 | 7.44 | 4.13 | 2.35 | 1.75 | 5.00 | PRX47SA |
| 1-1/2" | PRX57 | 5.0 | 8.19 | 4.63 | 2.60 | 1.94 | 5.44 | PRX57SA |
| 2" | PRX67 | 7.5 | 9.19 | 5.19 | 3.17 | 2.44 | 6.38 | PRX67SA |

X MARK 9

| PIPE SIZE | NOMINAL WEIGHT | A | B | C | D | E | ALUMINUM CATALOG # |
|-----------|----------------|------|------|------|------|------|--------------------|
| 1/2" | 2.0 | 5.69 | 2.91 | 1.79 | 1.00 | 3.31 | PRX19 |
| 3/4" | 2.6 | 6.28 | 3.06 | 2.04 | 1.19 | 3.94 | PRX29 |
| 1" | 3.1 | 7.31 | 3.50 | 2.29 | 1.38 | 4.56 | PRX39 |



Conduit Bodies and Covers for General Service Locations

Description:

Plasti-Bond REDH₂OT conduit bodies with covers are offered in Form 8 and Form 7 styles, each with numerous configurations to provide a complete coated conduit system. May be used to make 90° bends, for pull outlets, to provide for taps or splices, to act as a mounting outlet for wiring devices or lighting fixtures, etc. Form 8 style fittings 1/2" – 4" have an integral V-Seal gasket for superior corrosion protection. Electrical continuity of the conduit system is maintained across assembled joints.

Features:

- 40 mil gray PVC exterior coating
- 2 mil red urethane interior coating
- 10 trade sizes from 1/2" through 4"
- Sealing sleeves on all conduit openings
- Form 7 style cover uses retained stainless screw and wedge clip design
- Form 8 style cover uses plastic encapsulated stainless steel screws with retainers built into covers for trade sizes 1/2" through 2"
- Integral V-Seal gasket on Form 8 style, sizes 1/2" through 4"

Standards:

Steel and Aluminum

- UL 514A, 514D (E231035)
- CSA C22.2 No. 18, CSA C22.2 No. 42

Form 8 & Mark 9 Fittings – 1/2" – 4"

- IEC IP69
- UL Type 4X

Note: Form 7 fittings are not available with encapsulated screws.

All cover screws are stainless steel.

Conduit Bodies and Covers



TB FORM 8

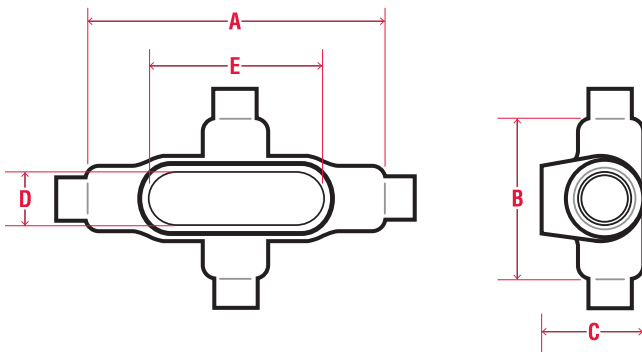
| PIPE SIZE | FERROUS CATALOG # | NOMINAL WEIGHT | A | B | C | D | E |
|-----------|-------------------|----------------|-------|------|------|------|------|
| 1/2" | PRHTB18 | 2.0 | 5.69 | 2.53 | 1.46 | 1.00 | 3.31 |
| 3/4" | PRHTB28 | 2.3 | 6.28 | 2.75 | 1.64 | 1.19 | 3.94 |
| 1" | PRHTB38 | 3.1 | 7.31 | 3.13 | 1.83 | 1.38 | 4.56 |
| 1-1/4" | PRHTB448 | 5.2 | 8.50 | 3.34 | 2.27 | 1.75 | 5.31 |
| 1-1/2" | PRHTB58 | 7.0 | 10.38 | 4.03 | 2.83 | 2.13 | 6.50 |
| 2" | PRHTB68 | 11.0 | 12.25 | 4.81 | 3.83 | 3.00 | 8.56 |

TB FORM 7

| PIPE SIZE | FERROUS CATALOG # | NOMINAL WEIGHT | A | B | C | D | E | ALUMINUM CATALOG # |
|-----------|-------------------|----------------|------|------|------|------|------|--------------------|
| 1/2" | PRTB17 | 1.6 | 5.63 | 2.63 | 1.64 | 0.94 | 3.19 | PRTB17SA |
| 3/4" | PRTB27 | 2.1 | 6.25 | 2.88 | 1.83 | 1.13 | 3.81 | PRTB27SA |
| 1" | PRTB37 | 2.7 | 7.25 | 3.25 | 2.08 | 1.38 | 4.50 | PRTB37SA |
| 1-1/4" | PRTB47 | 3.7 | 7.44 | 3.31 | 2.27 | 1.75 | 5.00 | PRTB47SA |
| 1-1/2" | PRTB57 | 4.7 | 8.19 | 5.00 | 2.52 | 1.94 | 5.44 | PRTB57SA |
| 2" | PRTB67 | 7.0 | 9.19 | 6.13 | 3.08 | 2.44 | 6.38 | PRTB67SA |

TB MARK 9

| PIPE SIZE | NOMINAL WEIGHT | A | B | C | D | E | ALUMINUM CATALOG # |
|-----------|----------------|-------|------|------|------|------|--------------------|
| 1/2" | 2.0 | 5.00 | 2.13 | 1.46 | 1.19 | 3.31 | PRTB19 |
| 3/4" | 2.3 | 5.69 | 2.41 | 1.64 | 1.38 | 3.94 | PRTB29 |
| 1" | 3.1 | 6.59 | 2.84 | 1.83 | 1.50 | 4.56 | PRTB39 |
| 1-1/4" | 5.2 | 7.50 | 3.47 | 2.27 | 1.94 | 5.31 | PRTB49 |
| 1-1/2" | 7.0 | 8.34 | 3.88 | 2.58 | 2.16 | 5.88 | PRTB59 |
| 2" | 11.0 | 10.63 | 4.59 | 3.30 | 2.81 | 8.09 | PRTB69 |



X FORM 8

| PIPE SIZE | FERROUS CATALOG # | NOMINAL WEIGHT | A | B | C | D | E |
|-----------|-------------------|----------------|-------|------|------|------|------|
| 1/2" | PRHX18 | 2.0 | 5.69 | 2.91 | 1.79 | 1.00 | 3.31 |
| 3/4" | PRHX28 | 2.6 | 6.28 | 3.06 | 2.04 | 1.19 | 3.94 |
| 1" | PRHX38 | 3.1 | 7.31 | 3.50 | 2.29 | 1.38 | 4.56 |
| 1-1/4" | PRHX448 | 5.2 | 8.50 | 4.13 | 2.67 | 1.75 | 5.31 |
| 1-1/2" | PRHX58 | 7.5 | 10.38 | 5.25 | 2.51 | 2.13 | 6.50 |
| 2" | PRHX68 | 11.7 | 12.25 | 6.25 | 3.60 | 3.00 | 8.56 |

X FORM 7

| PIPE SIZE | FERROUS CATALOG # | NOMINAL WEIGHT | A | B | C | D | E | ALUMINUM CATALOG # |
|-----------|-------------------|----------------|------|------|------|------|------|--------------------|
| 1/2" | PRX17 | 1.7 | 5.63 | 3.31 | 1.79 | 0.94 | 3.19 | PRX17SA |
| 3/4" | PRX27 | 2.4 | 6.25 | 3.50 | 2.04 | 1.13 | 3.81 | PRX27SA |
| 1" | PRX37 | 2.7 | 7.25 | 4.00 | 2.29 | 1.38 | 4.50 | PRX37SA |
| 1-1/4" | PRX47 | 3.6 | 7.44 | 4.13 | 2.35 | 1.75 | 5.00 | PRX47SA |
| 1-1/2" | PRX57 | 5.0 | 8.19 | 4.63 | 2.60 | 1.94 | 5.44 | PRX57SA |
| 2" | PRX67 | 7.5 | 9.19 | 5.19 | 3.17 | 2.44 | 6.38 | PRX67SA |

X MARK 9

| PIPE SIZE | NOMINAL WEIGHT | A | B | C | D | E | ALUMINUM CATALOG # |
|-----------|----------------|------|------|------|------|------|--------------------|
| 1/2" | 2.0 | 5.69 | 2.91 | 1.79 | 1.00 | 3.31 | PRX19 |
| 3/4" | 2.6 | 6.28 | 3.06 | 2.04 | 1.19 | 3.94 | PRX29 |
| 1" | 3.1 | 7.31 | 3.50 | 2.29 | 1.38 | 4.56 | PRX39 |



Contact us:
customerservice@plastibond.com



Visit www.plastibond.com
For more information