

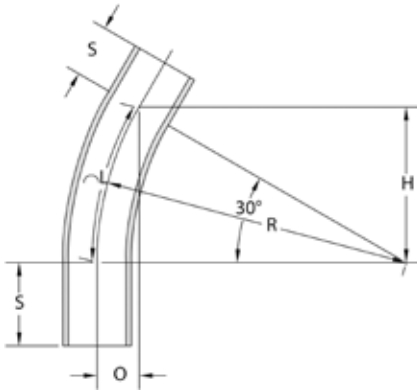
# Rigid Nonmetallic Sch. 40 Elbows - Standard Radius

## Schedule 40 30° Elbow - Plain End

Conforms to UL651 and NEMA TC3

Material is Rigid PVC

Bend Tolerance is  $\pm 2^\circ$



| Part Number | Trade Size | Carton Qty. | "R"    | "O"   | "H"    | "S" MIN | "L"    |
|-------------|------------|-------------|--------|-------|--------|---------|--------|
| 5133755     | 1/2        | 50          | 4.000  | .500  | 2.000  | 1.500   | 2.125  |
| 5133744     | 3/4        | 25          | 4.500  | .625  | 2.250  | 1.500   | 2.375  |
| 5133745     | 1          | 20          | 5.750  | .750  | 2.875  | 1.875   | 3.000  |
| 5133746     | 1-1/4      | 25          | 7.250  | 1.000 | 3.625  | 2.000   | 3.813  |
| 5133747     | 1-1/2      | 20          | 8.250  | 1.063 | 4.125  | 2.000   | 4.313  |
| 5133748     | 2          | 10          | 9.500  | 1.250 | 4.750  | 2.000   | 5.000  |
| 5133749     | 2-1/2      | 20          | 10.500 | 1.438 | 5.250  | 3.000   | 5.500  |
| 5133750     | 3          | 8           | 13.000 | 1.750 | 6.500  | 3.125   | 6.813  |
| 5133751     | 3-1/2      | 5           | 15.000 | 2.000 | 7.563  | 3.250   | 7.875  |
| 5133775     | 4          | 20          | 16.000 | 2.063 | 8.000  | 3.375   | 8.375  |
| 5133753     | 5          | 30*         | 24.000 | 3.188 | 12.000 | 3.625   | 12.563 |
| 5133754     | 6          | 25*         | 30.000 | 4.000 | 15.000 | 3.750   | 15.688 |

\* Pallet Quantity

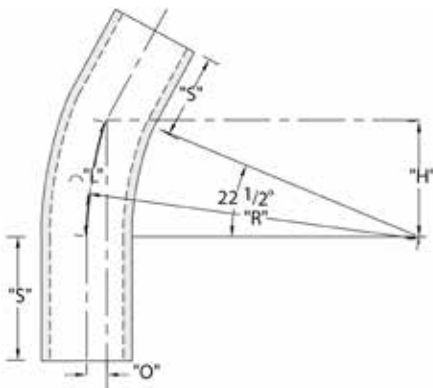
Dimensions are nominal

## Schedule 40 22-1/2° Elbow - Plain End

Conforms to UL651 and NEMA TC3

Material is Rigid PVC

Bend Tolerance is  $\pm 2^\circ$



| Part Number | Trade Size | Carton Qty. | "R"    | "O"   | "H"    | "S" MIN | "L"    |
|-------------|------------|-------------|--------|-------|--------|---------|--------|
| 5136403     | 1-1/4      | 25          | 7.250  | .563  | 2.750  | 2.000   | 2.875  |
| 5134094     | 1-1/2      | 25          | 8.250  | .625  | 3.125  | 2.000   | 3.250  |
| 5134067     | 2          | 10          | 9.500  | .750  | 3.625  | 2.000   | 3.750  |
| 5134096     | 2-1/2      | 20          | 10.500 | .813  | 4.000  | 3.000   | 4.125  |
| 5134068     | 3          | 8           | 13.000 | 1.000 | 5.000  | 3.125   | 5.125  |
| 5134095     | 3-1/2      | 5           | 15.000 | 1.125 | 5.750  | 3.250   | 5.875  |
| 5133757     | 4          | 20          | 16.000 | 1.250 | 6.125  | 3.375   | 6.250  |
| 5134037     | 5          | 60*         | 24.000 | 1.813 | 9.188  | 3.625   | 9.375  |
| 5133901     | 6          | 50*         | 30.000 | 2.250 | 11.500 | 3.750   | 11.750 |

\* Pallet Quantity

Dimensions are nominal

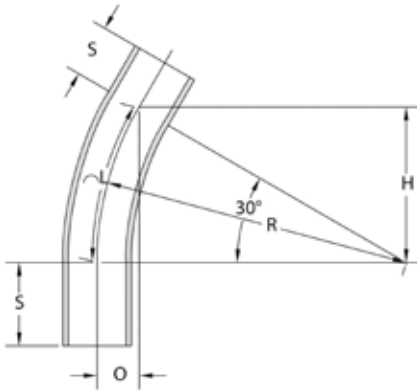
# Rigid Nonmetallic Sch. 40 Elbows - Standard Radius

## Schedule 40 30° Elbow - Plain End

Conforms to UL651 and NEMA TC3

Material is Rigid PVC

Bend Tolerance is  $\pm 2^\circ$



| Part Number | Trade Size | Carton Qty. | "R"    | "O"   | "H"    | "S" MIN | "L"    |
|-------------|------------|-------------|--------|-------|--------|---------|--------|
| 5133755     | 1/2        | 50          | 4.000  | .500  | 2.000  | 1.500   | 2.125  |
| 5133744     | 3/4        | 25          | 4.500  | .625  | 2.250  | 1.500   | 2.375  |
| 5133745     | 1          | 20          | 5.750  | .750  | 2.875  | 1.875   | 3.000  |
| 5133746     | 1-1/4      | 25          | 7.250  | 1.000 | 3.625  | 2.000   | 3.813  |
| 5133747     | 1-1/2      | 20          | 8.250  | 1.063 | 4.125  | 2.000   | 4.313  |
| 5133748     | 2          | 10          | 9.500  | 1.250 | 4.750  | 2.000   | 5.000  |
| 5133749     | 2-1/2      | 20          | 10.500 | 1.438 | 5.250  | 3.000   | 5.500  |
| 5133750     | 3          | 8           | 13.000 | 1.750 | 6.500  | 3.125   | 6.813  |
| 5133751     | 3-1/2      | 5           | 15.000 | 2.000 | 7.563  | 3.250   | 7.875  |
| 5133775     | 4          | 20          | 16.000 | 2.063 | 8.000  | 3.375   | 8.375  |
| 5133753     | 5          | 30*         | 24.000 | 3.188 | 12.000 | 3.625   | 12.563 |
| 5133754     | 6          | 25*         | 30.000 | 4.000 | 15.000 | 3.750   | 15.688 |

\* Pallet Quantity

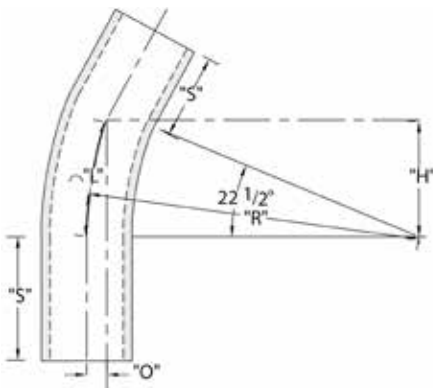
Dimensions are nominal

## Schedule 40 22-1/2° Elbow - Plain End

Conforms to UL651 and NEMA TC3

Material is Rigid PVC

Bend Tolerance is  $\pm 2^\circ$



| Part Number | Trade Size | Carton Qty. | "R"    | "O"   | "H"    | "S" MIN | "L"    |
|-------------|------------|-------------|--------|-------|--------|---------|--------|
| 5136403     | 1-1/4      | 25          | 7.250  | .563  | 2.750  | 2.000   | 2.875  |
| 5134094     | 1-1/2      | 25          | 8.250  | .625  | 3.125  | 2.000   | 3.250  |
| 5134067     | 2          | 10          | 9.500  | .750  | 3.625  | 2.000   | 3.750  |
| 5134096     | 2-1/2      | 20          | 10.500 | .813  | 4.000  | 3.000   | 4.125  |
| 5134068     | 3          | 8           | 13.000 | 1.000 | 5.000  | 3.125   | 5.125  |
| 5134095     | 3-1/2      | 5           | 15.000 | 1.125 | 5.750  | 3.250   | 5.875  |
| 5133757     | 4          | 20          | 16.000 | 1.250 | 6.125  | 3.375   | 6.250  |
| 5134037     | 5          | 60*         | 24.000 | 1.813 | 9.188  | 3.625   | 9.375  |
| 5133901     | 6          | 50*         | 30.000 | 2.250 | 11.500 | 3.750   | 11.750 |

\* Pallet Quantity

Dimensions are nominal